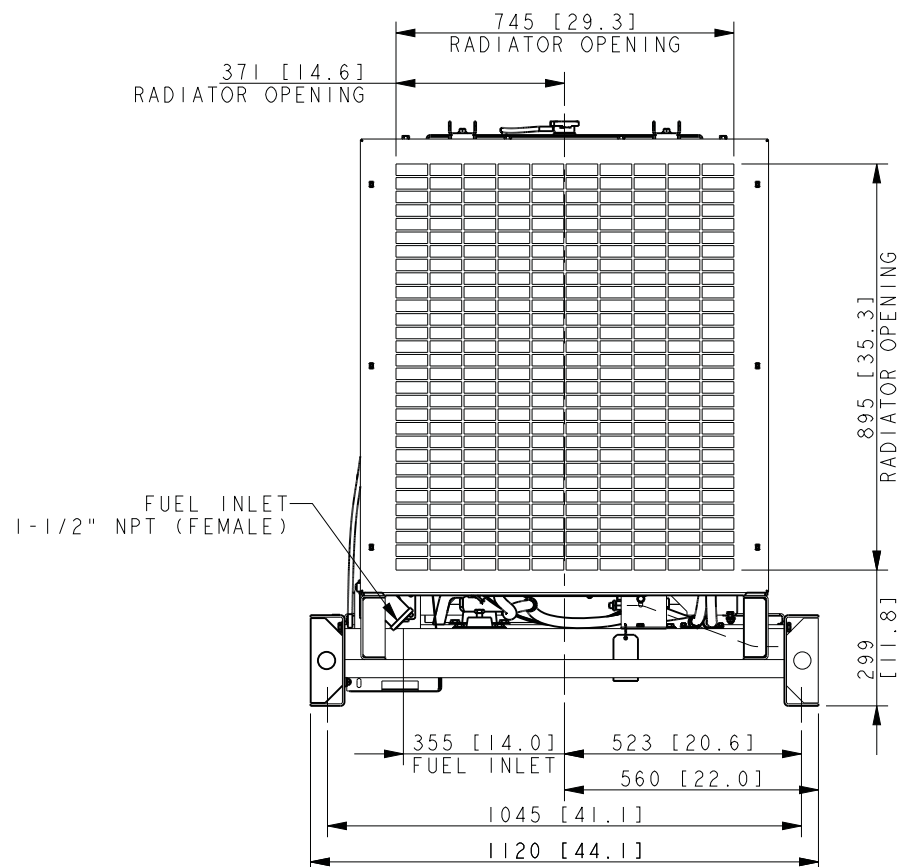
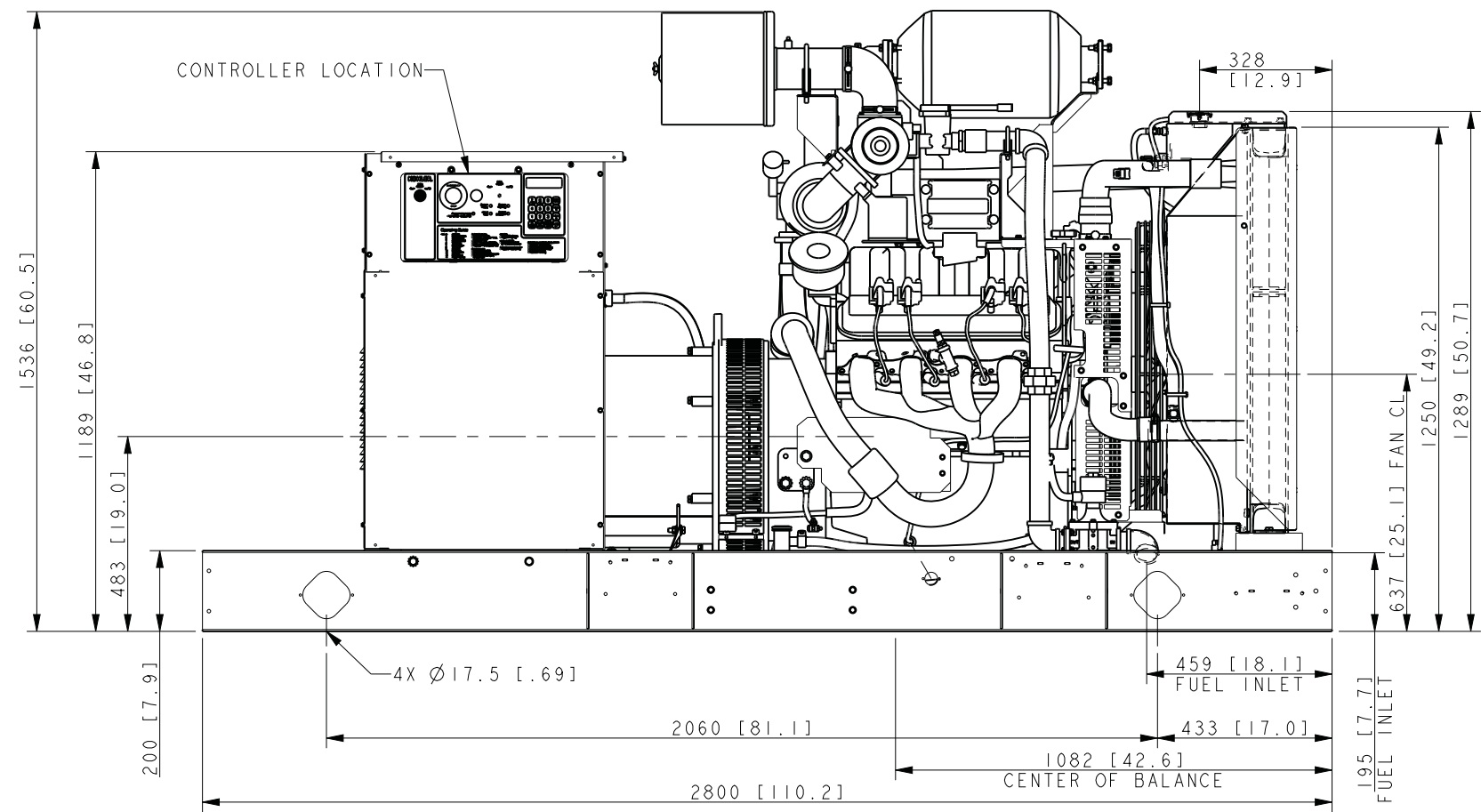


MODEL	ALTERNATOR	WIEGHT (WET)
150	4T13X	1588 KG (3501 LBS)
150	4R13X	1588 KG (3501 LBS)
150	4S12X	1619 KG (3569 LBS)
150	4S13X	1659 KG (3657 LBS)

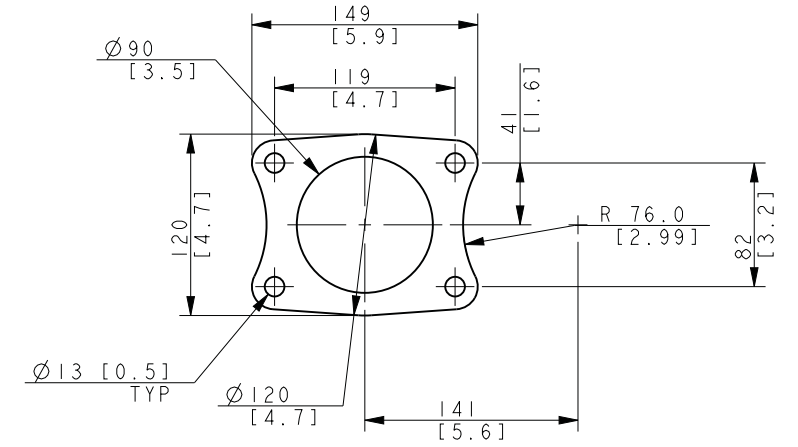
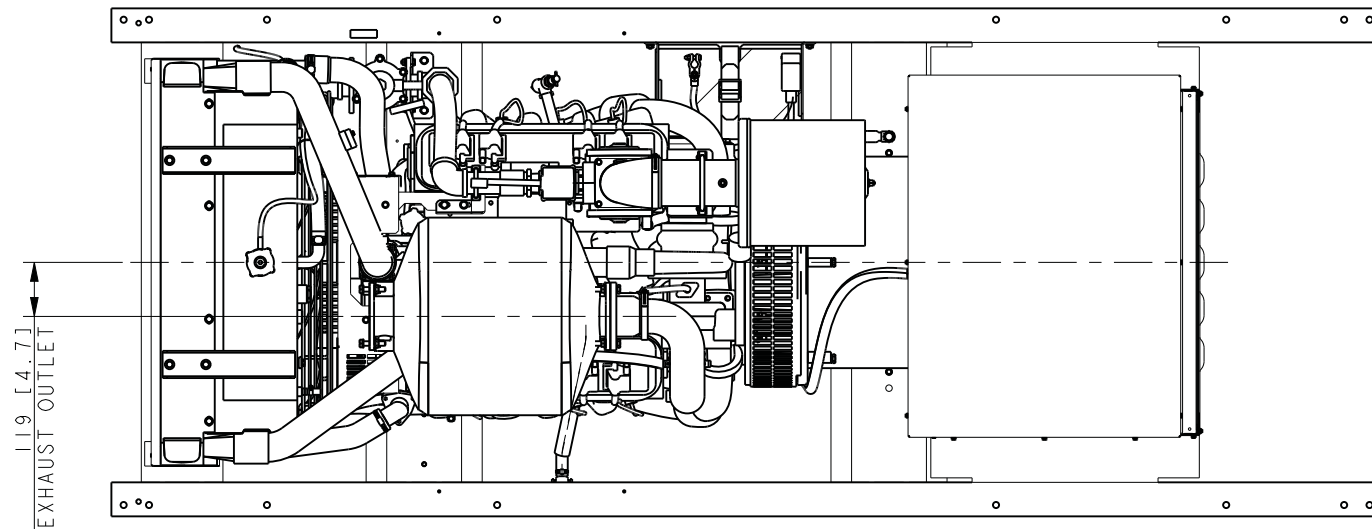


DIMENSIONS IN [] ARE ENGLISH STANDARD EQUIVALENTS

EPA ENGINE SHOWN

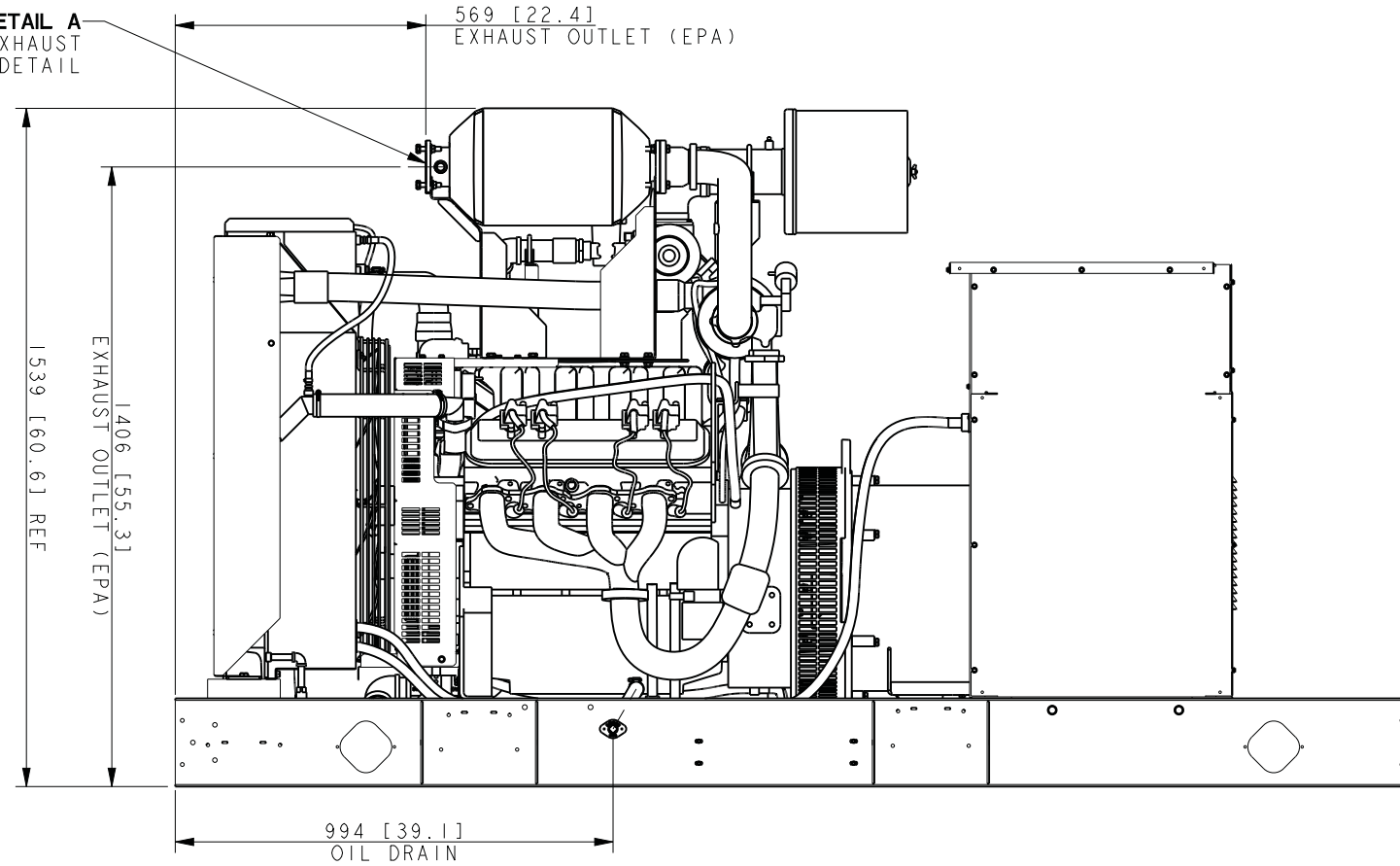
150 MODEL 4R13X/4T13X/4S13X
 RECONNECTABLE
 IMPROVED MOTOR STARTING (IMS) RECONNECTABLE
 & 600 VOLT ALTERNATORS
 8.8 LITER GM CAC

REV	DATE	ON COMPOSITE DWGS. SEE PART NO. FOR REVISION LEVEL	BY	UNLESS OTHERWISE SPECIFIED - 1) DIMENSIONS ARE IN MILLIMETERS 2) TOLERANCES ARE:	APPROVALS	DATE	TITLE
-	5-2-11	NEW DRAWING [91800-3]	KRH	X.XX ± X.X ± ANGLES ±			KOHLER CO. METRIC PRO-E POWER SYSTEMS, KOHLER, WI 53044 U.S.A. THIS DRAWING IN DESIGN AND DETAIL IS KOHLER CO. PROPERTY AND MUST NOT BE USED EXCEPT IN CONNECTION WITH KOHLER CO. WORK. ALL RIGHTS OF DESIGN OR INVENTION ARE RESERVED.
A	9-15-11	(A-4) 459 [18.1] FUEL INLET WAS 424 [16.7]; 195 [7.7] FUEL INLET WAS 167 [6.6] FUEL INLET	KRH				
B	2-22-12	(B-5) REVISED FUEL LINE ROUTING [CT02706]	KRH				DIMENSION PRINT, 150KW GM 8.8L
C	6-4-13	1539 [60.6] DIM REMOVED. [CT49456]	MRS				
					APPROVED	5-2-11	SCALE 0.12 CAD NO. SHEET 1 of 2
					CHECKED	5-2-11	DWG NO. ADV-8167
					APPROVED	5-2-11	D



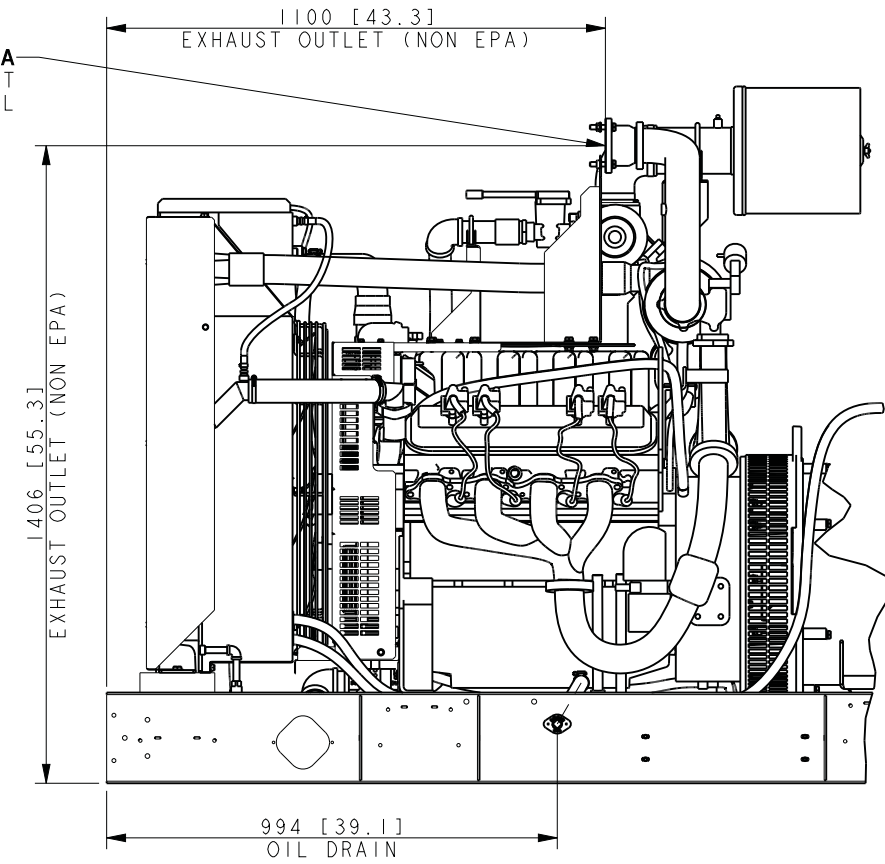
DETAIL A
EXHAUST OUTLET
SCALE 0.40

SEE DETAIL A
FOR EXHAUST
OUTLET DETAIL



EPA ENGINE

SEE DETAIL A
FOR EXHAUST
OUTLET DETAIL



NON EPA ENGINE

DIMENSIONS IN [] ARE ENGLISH STANDARD EQUIVALENTS

150 MODEL 4R13X/4T13X/4S13X
RECONNECTABLE
IMPROVED MOTOR STARTING (IMS) RECONNECTABLE
& 600 VOLT ALTERNATORS
8.8 LITER GM CAC

REV	DATE	ON COMPOSITE DWGS. SEE PART NO. FOR REVISION LEVEL	BY	UNLESS OTHERWISE SPECIFIED - 1) DIMENSIONS ARE IN MILLIMETERS 2) TOLERANCES ARE:
-	5-4-11	NEW DRAWING [91800-3]	KRH	X.XX ±
A	9-15-11	SEE SHEET 1 [92278-3]	KRH	X.X ±
B	2-22-12	SEE SHEET 1 [CT02706]	KRH	ANGLES ±
C	6-4-13	NON EPA VIEW ADDED. [CT49456]	MRS	

KOHLER CO. METRIC PRO-E
POWER SYSTEMS, KOHLER, WI 53044 U.S.A.
THIS DRAWING IN DESIGN AND DETAIL IS KOHLER CO.
PROPERTY AND MUST NOT BE USED EXCEPT IN
CONNECTION WITH KOHLER CO. WORK. ALL RIGHTS OF
DESIGN OR INVENTION ARE RESERVED.

TITLE
DIMENSION PRINT, 150KW GM 8.8L

SCALE 0.12 CAD NO. SHEET 2 of 2
DWG NO. **ADV-8167**

APPROVALS DATE
DRAWN KRH 5-4-11
CHECKED KRH 5-4-11
APPROVED JAL 5-4-11