

Features

- Dramatic tapered fabric shades with metal trim and decorative sphere motif create a beautiful accent for interior spaces.
- Modernist references are reinterpreted to create a timeless design that works in a range of interior styles and settings.
- This collection is at home in modern and traditional interiors.
- A great piece for any space — especially in a hallway, mudroom, bedroom, closet, or bathroom.
- Medium base (E26) socket, works best with clear or white type A light bulbs (sold separately).
- Suitable for damp locations, per UL 1598.

Material

- Manufactured with quality materials and complemented with a meticulous finishing process.
- Durable finishes engineered to last and designed to coordinate with KOHLER faucet finishes.



Codes/Standards

UL 1598
CSA C22.2 No. 250.0

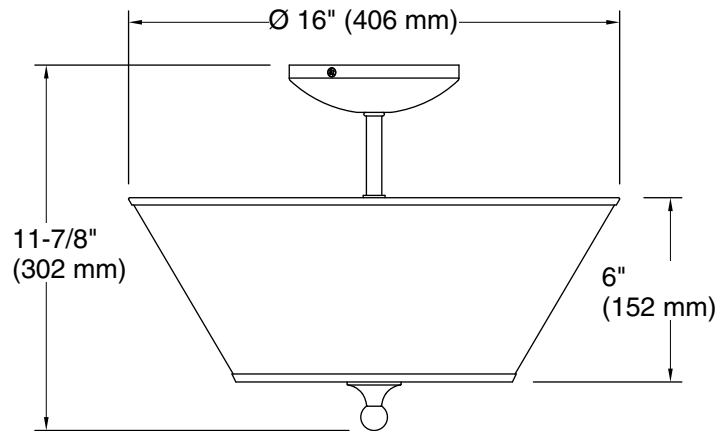
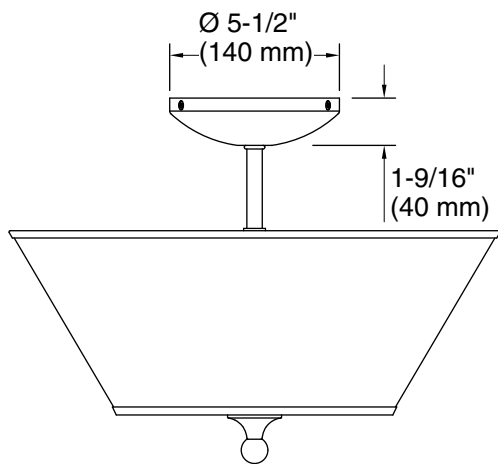
KOHLER® Indoor Lighting Fixtures Limited Warranty

See website for detailed warranty information.

Available Colors/Finishes

Color tiles intended for reference only.

Color	Code	Description
	SNL	Polished Nickel
	CPL	Polished Chrome
	2GL	Brushed Moderne Brass
	2PL	Polished Brass
	GNL	Gunmetal



Required Electrical Service

One dedicated circuit required.

Lights: 120 V, 12 A, 60 Hz

Technical Information

All product dimensions are nominal.

Installation Type: Flush-mount

Material: Steel

Number of Lights: 2

Lighting Type: Socket-based

Socket Type: E-26 Medium

Number of Shades: 1

Shade Type: Fabric

Electrical component Socket Rating: 60 Hz, 100 W
rating: