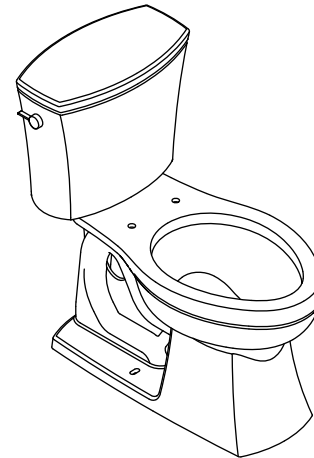


COMFORT HEIGHT® TOILET K-3755

Features

- Vitreous china
- Elongated bowl
- AquaPiston® flushing system
- Less seat and supply
- 12" (305 mm) rough-in
- 1.28 gpf (4.8 lpf)
- 2-1/8" (54 mm) glazed trapway
- Includes left-hand polished chrome trip lever
- 11" (279 mm) x 8-3/4" (222 mm) water area
- 30" (762 mm) x 16-3/4" (425 mm) x 30-1/2" (775 mm)



Codes/Standards Applicable

Specified model meets or exceeds the following:

- ADA
- ASME A112.19.2/CSA B45.1
- Energy Policy Act of 1992
- EPA WaterSense®

Colors/Finishes

- 0: White
- Other: Refer to Price Book for additional colors/finishes

Accessories

- 0: White
- CP: Polished Chrome
- PB: Vibrant® Polished Brass
- Other: Refer to Price Book for additional colors/finishes

Specified Model

Model	Description	Trip Lever	Colors/Finishes	
K-3755	Comfort Height toilet	left-hand	<input type="checkbox"/> 0	<input type="checkbox"/> Other_____
Recommended Accessories				
K-7637	Angle supply with stop – 3/8" NPT	<input type="checkbox"/> CP	<input type="checkbox"/> PB	<input type="checkbox"/> Other_____
Optional Accessories				
K-9385	Left-hand trip lever (non-CP finish)	<input type="checkbox"/> PB	<input type="checkbox"/> Other_____	

Product Specification

The elongated bowl toilet shall be made of vitreous china. Toilet shall be 30" (762 mm) in length, 16-3/4" (425 mm) in width, and 30-1/2" (775 mm) in height with an 11" (279 mm) by 8-3/4" (222 mm) water area. Toilet shall be 1.28 gpf (4.8 lpf) with AquaPiston flushing system. Toilet shall have 2-1/8" (54 mm) glazed trapway. Toilet shall be 12" (305 mm) rough-in. Toilet shall include left-hand polished chrome trip lever. Toilet shall be less seat and supply. Elongated bowl toilet shall be Kohler Model K-3755-_____.

KELSTON™

Optional Accessories

K-4650	Lustra™ elongated open-front toilet seat - for ADA compliance	<input type="checkbox"/> 0	<input type="checkbox"/> Other _____
--------	---	----------------------------	--------------------------------------

Technical Information

Fixture:	
Configuration	two-piece, elongated
Water per flush	1.28 gpf (4.8 lpf)
Passageway	2-1/8" (54 mm)
Water area	11" (279 mm) x 8-3/4" (222 mm)
Water depth from rim	6" (152 mm)
Seat post hole centers	5-1/2" (140 mm)

Included components:

Bowl	K-4306
Tank	K-4469
Tank cover	1070414
Trip lever	1075348
Tank attachment kit	1016548
Bolt cap accessory pack	1013092

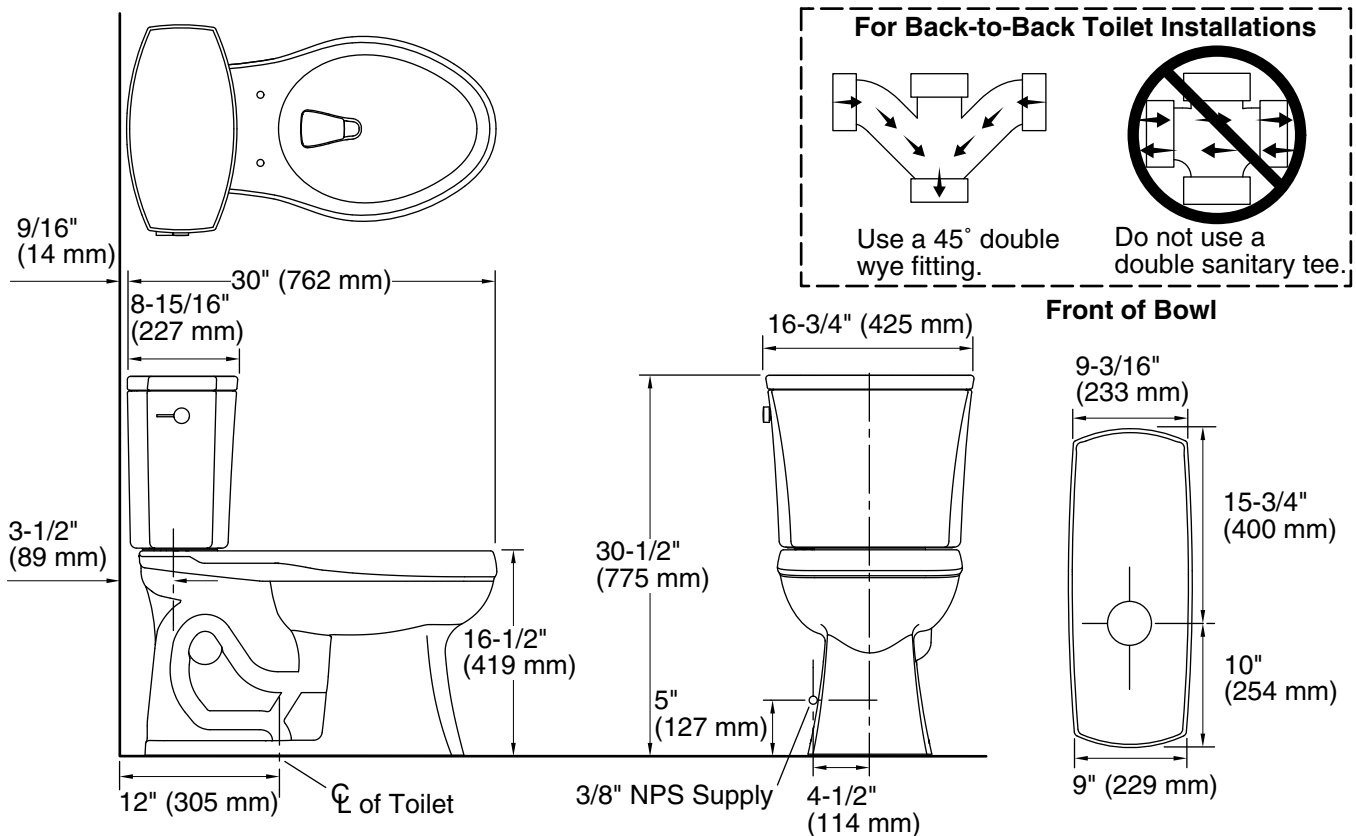
Installation Notes

Install this product according to the installation guide.

For back-to-back toilet installations: Use only a 45° double wye fitting.

Will comply with the Americans with Disabilities Act (ADA) when installed per the requirements of the 2010 ADA Standards for Accessible Design, Section 604 Water Closets, of the Act. The Model Plumbing Codes require the installation of elongated open-front toilet seats in public bathrooms.

The model is acceptable for left-hand Accessible compartment installations only.



Product Diagram