

### COMFORT HEIGHT® TOILET K-3940

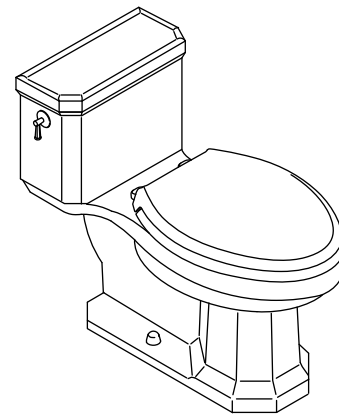
#### Features

- Vitreous china, one-piece
- Elongated bowl
- Comfort Height®
- AquaPiston® flushing system
- Includes polished chrome trip lever, seat, and cover
- 12" (305 mm) rough-in
- 1.28 gpf (4.8 lpf)
- Concealed trapway
- 2-1/8" (54 mm) glazed trapway
- 10-1/2" (267 mm) x 7-1/2" (191 mm) water area
- 28" (711 mm) x 17-1/2" (445 mm) x 28-5/8" (727 mm)

ADA

CSA B651

OBC



#### Codes/Standards Applicable

Specified model meets or exceeds the following:

- ADA
- ICC/ANSI A117.1
- CSA B651
- OBC
- ASME A112.19.2/CSA B45.1
- EPA WaterSense®

#### Colors/Finishes

- 0: White
- Other: Refer to Price Book for additional colors/finishes

#### Accessories

- 0: White
- CP: Polished Chrome
- Other: Refer to Price Book for additional colors/finishes

#### Specified Model

Model	Description	Trip Lever	Colors/Finishes	
K-3940	Comfort Height toilet	left-hand	<input type="checkbox"/> 0	<input type="checkbox"/> Other _____
<b>Recommended Accessories</b>				
K-7637	Angle supply with stop – 3/8" NPT		<input type="checkbox"/> CP	<input type="checkbox"/> Other _____
<b>Optional Accessories</b>				
K-4650	Lustra™ elongated open-front toilet seat – for ADA compliance		<input type="checkbox"/> 0	<input type="checkbox"/> Other _____
K-9131	Kathryn trip lever		<input type="checkbox"/> CP	<input type="checkbox"/> Other _____

#### Product Specification

The elongated one-piece toilet shall be made of vitreous china. Toilet shall be 28" (711 mm) in length, 17-1/2" (445 mm) in width, and 28-5/8" (727 mm) in height with 10-1/2" (267 mm) by 7-1/2" (191 mm) water area. Toilet shall be Comfort Height with 12" (305 mm) rough-in and concealed 2-1/8" (54 mm) glazed trapway. Toilet shall be 1.28 gpf (4.8 lpf) with AquaPiston flushing system. Toilet shall include polished chrome trip lever, seat and cover. Toilet shall be Kohler Model K-3940-\_\_\_\_\_.

## Technical Information

Fixture:	
Configuration	One-piece, elongated
Water per flush	1.28 gpf (4.8 lpf)
Passageway	2-1/8" (54 mm)
Water area	10-1/2" (267 mm) x 7-1/2" (191 mm)
Water depth from rim	5-5/8" (143 mm)
Seat post hole centers	5-1/2" (140 mm)

Included components:	
Closed front seat with cover	K-4733
Tank cover	1006066
Trip lever	K-9131
Tank accessory pack	52265
Bolt cap accessory pack	1013092

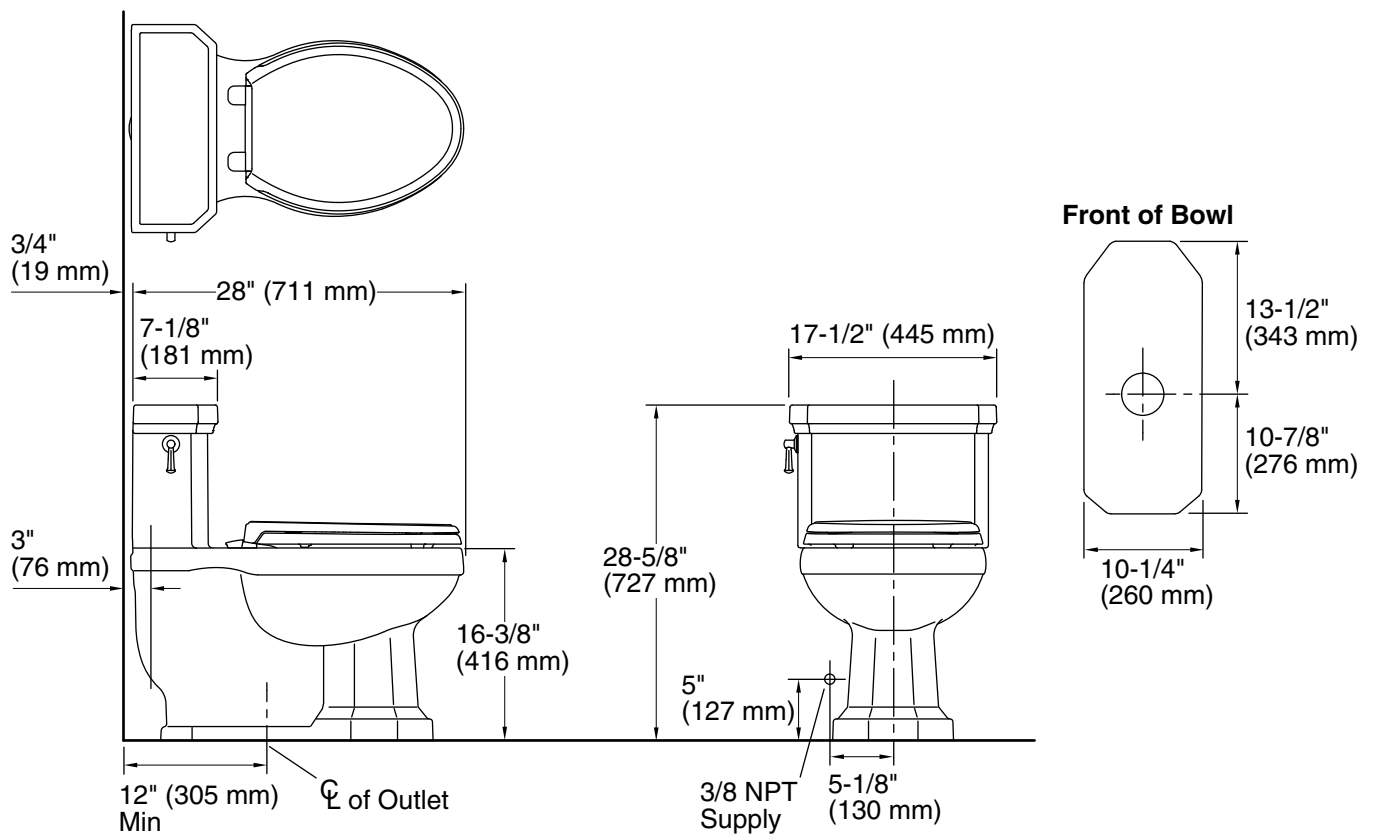
## Installation Notes

Install this product according to the installation guide.

Will comply with the Americans with Disabilities Act (**ADA**) when installed per the requirements of the 2010 ADA Standards for Accessible Design, Section 604 Water Closets, of the Act. The Model Plumbing Codes require the installation of elongated open-front toilet seats in public bathrooms.

Will comply with **CSA B651** when installed per Clause 4.3.6 of the standard.

Will comply with **OBC** Barrier Free requirements when installed per Clause 3.8.3.8 and 3.8.3.9.



## Product Diagram