

Features

- Vitreous china
- Elongated bowl
- Class Five® flushing system
- Polished chrome trip lever
- Less seat and supply
- 12" (305 mm) rough-in
- 1.28 gpf (4.8 lpf)
- 2-1/8" (54 mm) glazed trapway
- Optional Insuliner® tank and tank cover locks
- 11-3/8" (289 mm) x 8" (203 mm) water area
- 29-3/4" (756 mm) x 18" (457 mm) x 31-1/4" (794 mm)

ADA CSA B651 OBC



Codes/Standards Applicable

Specified model meets or exceeds the following:

- ADA
- ICC/ANSI A117.1
- CSA B651
- OBC
- ASME A112.19.2/CSA B45.1
- EPA WaterSense®

Colors/Finishes

- 0: White
- Other: Refer to Price Book for additional colors/finishes

Specified Model

Model	Description	Trip Lever	Colors/Finishes	
K-3999	Class Five toilet (shown)	left-hand	<input type="checkbox"/> 0	<input type="checkbox"/> Other _____
K-3999-RA	Class Five toilet	right-hand	<input type="checkbox"/> 0	<input type="checkbox"/> Other _____
K-3999-RZ	Class Five toilet - Insuliner® tank and tank cover locks	right-hand	<input type="checkbox"/> 0	<input type="checkbox"/> Other _____
K-3999-T	Class Five toilet - tank cover locks	left-hand	<input type="checkbox"/> 0	<input type="checkbox"/> Other _____
K-3999-TR	Class Five toilet - tank cover locks	right-hand	<input type="checkbox"/> 0	<input type="checkbox"/> Other _____
K-3999-U	Class Five toilet - Insuliner tank	left-hand	<input type="checkbox"/> 0	<input type="checkbox"/> Other _____
K-3999-UR	Class Five toilet - Insuliner tank	right-hand	<input type="checkbox"/> 0	<input type="checkbox"/> Other _____
K-3999-UT	Class Five toilet - Insuliner tank and tank cover locks	left-hand	<input type="checkbox"/> 0	<input type="checkbox"/> Other _____

Recommended Accessories

K-4636	Cachet® Quiet-Close™ seat with Quick-Release™ functionality	<input type="checkbox"/> 0	<input type="checkbox"/> Other _____
K-4688	Cachet elongated toilet seat with cover (cont.)	<input type="checkbox"/> 0	<input type="checkbox"/> Other _____

Product Specification

The elongated bowl toilet shall be made of vitreous china. Toilet shall be 29-3/4" (756 mm) in length, 18" (457 mm) in width, and 31-1/4" (794 mm) in height with an 11-3/8" (289 mm) by 8" (203 mm) water area. Toilet shall be 1.28 gpf (4.8 lpf) with Class Five flushing system. Toilet shall include polished chrome trip lever. Toilet shall have 2-1/8" (54 mm) glazed trapway. Toilet shall be 12" (305 mm) rough-in. Toilet shall feature optional Insuliner tank and tank cover locks. Toilet shall be less seat and supply. Elongated bowl toilet shall be Kohler Model K-3999-____ or K-3999-____-_____.

HIGHLINE®

K-4731	(cont.) Stronghold® elongated open-front toilet seat – for Accessibility compliance	<input type="checkbox"/> 0	<input type="checkbox"/> Other_____
K-7637	Angle supply with stop – 3/8" NPT		<input type="checkbox"/> Other_____

Technical Information

Fixture:	
Configuration	two-piece, elongated
Water per flush	1.28 gpf (4.8 lpf)
Passageway	2-1/8" (54 mm)
Water area	11-3/8" (289 mm) x 8" (203 mm)
Water depth from rim	5-3/8" (137 mm)
Seat post hole centers	5-1/2" (140 mm)

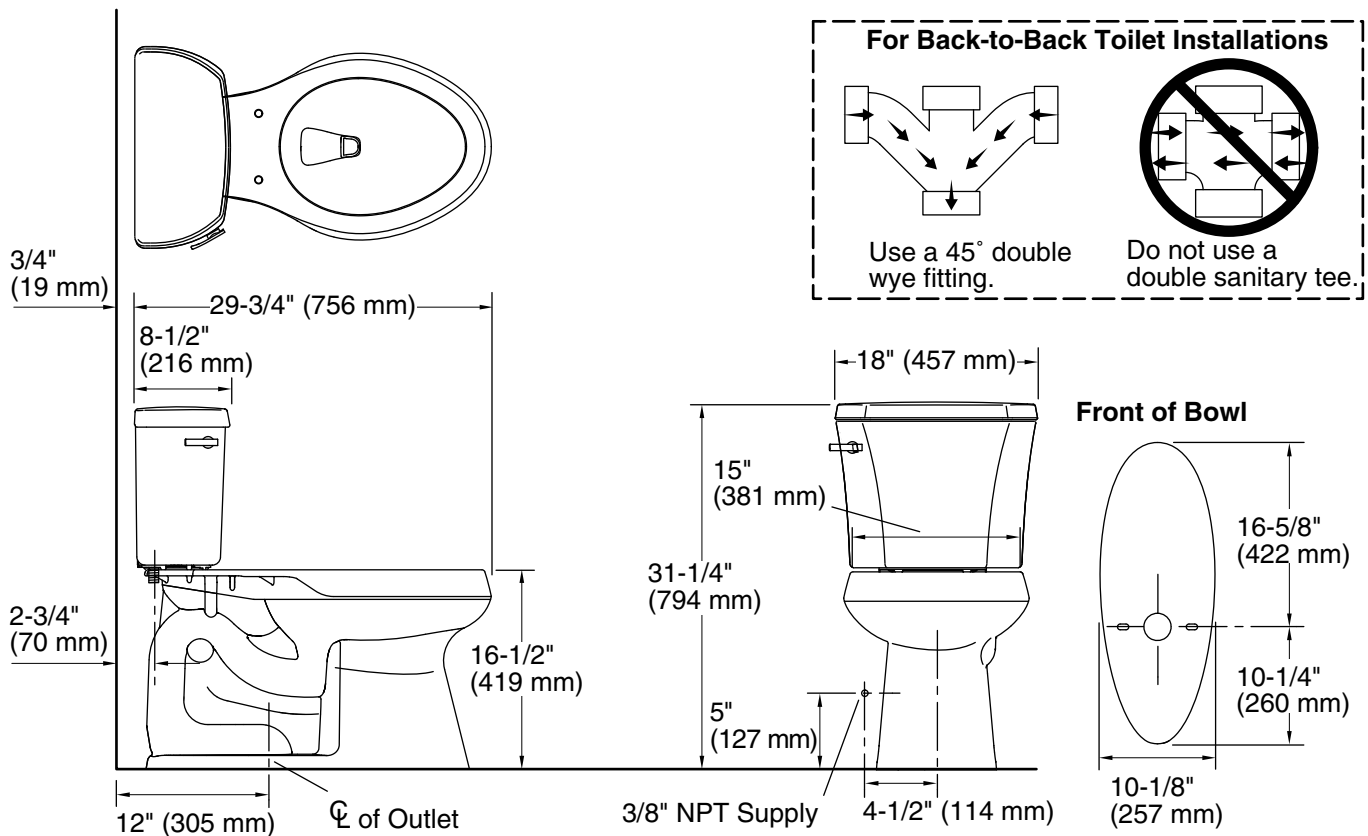
Included components:	
Bowl	K-4199
Tank	K-4467
Tank cover	1138565
Trip lever	K-9379
Bolt cap accessory pack	1013092

Installation Notes

Install this product according to the installation guide.

For back-to-back toilet installations: Use only a 45° double wye fitting.

ADA, CSA B651, OBC compliant when installed to the specific requirements of these regulations.



Product Diagram