

Features

- Fits most toilets and works with canister and flapper flush valves.
- Simply hold your hand over the sensor to activate.
- Powered by 4 AA batteries (included).



For complete listing of available colors, go to kohler.com.

Codes/Standards

None Applicable

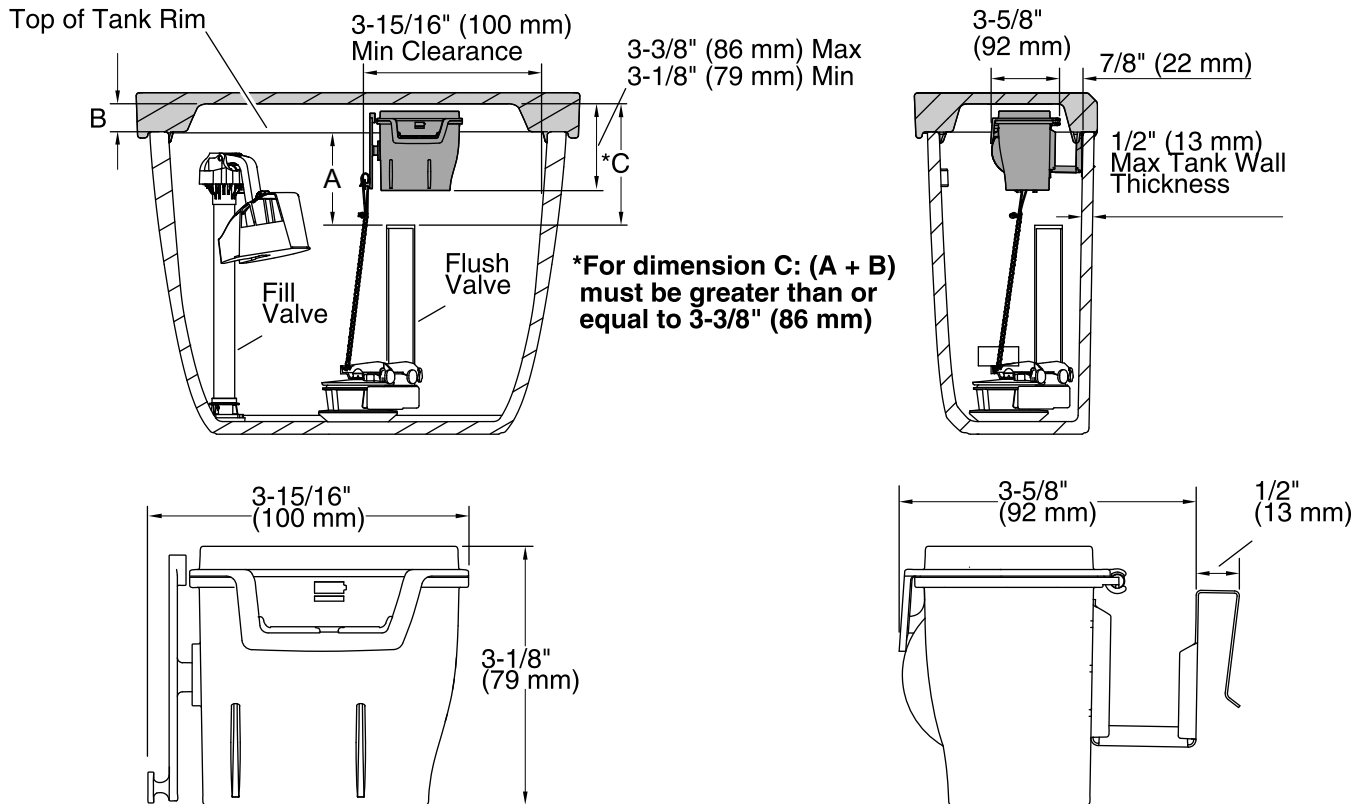
KOHLER® One-Year Limited Warranty

See website for detailed warranty information.

Product Specification

Touchless toilet flush kit shall be 3-15/16" (100 mm) in length, 3-5/8" (92 mm) in width, and 3-1/8" (79 mm) in height. Touchless toilet flush kit shall feature sensor to activate flush. Touchless toilet flush kit shall be KOHLER Model K-1954.

Required Clearances



Technical Information

All measurements are nominal.

Installation Notes

Install this product according to the installation guide.

CAUTION: Risk of property damage: Do not use lithium ion batteries with this product. Exposing lithium ion batteries to water can result in a fire.

The touchless toilet flush kit is not compatible with the following types of toilets: dual flush, ballcock valve, top actuator, and pressure assist.

To confirm that a flapper style flush valve is compatible, verify there are adequate clearances for the tank and lid as illustrated.

To confirm that a canister style flush valve is compatible, view the compatibility list of toilets found on kohler.com, K-1954 product detail page.