

## Features

- Metal construction.
- One-piece, self-contained ceramic disc valve allows both volume and temperature control.
- Temperature memory allows faucet to be turned on and off at any temperature setting.
- High-temperature limit setting for added safety.
- 1.8 gal/min (6.8 l/min) maximum flow rate at 60 psi (4.1 bar).
- Meets CalGreen requirements for kitchen faucets.
- Lower flow kit or higher flow kit is available.
- MasterClean™ spray nozzles prohibit mineral buildup for easy cleaning.
- Swing spout with integral pullout spray and hose.
- Touch control for stream-to-spray water flow.
- 10-1/8" (257 mm) swing spout reach.
- Promotion® technology with nylon hose and ball joint for easy operation.
- Includes parts for both single-hole and three-hole installations.



For complete listing of available colors, go to [kohler.com](http://kohler.com).

## Codes/Standards

ASME A112.18.1/CSA B125.1

NSF 61/9-G

DOE - Energy Policy Act 1992

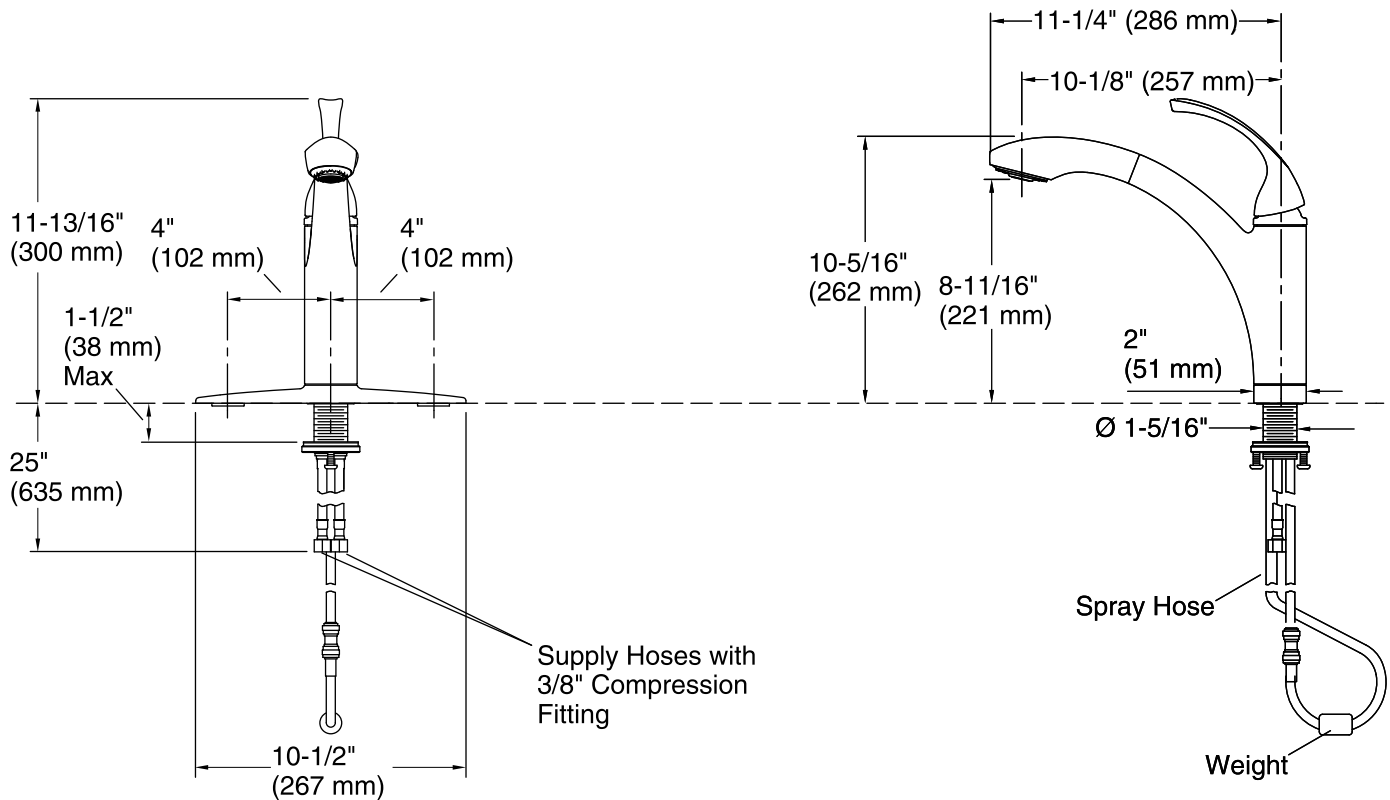
All applicable US Federal and State material regulations

## KOHLER® Faucet Lifetime Limited Warranty

See website for detailed warranty information.

## Product Specification

Kitchen sink faucet shall be made of metal construction. Kitchen sink faucet shall feature MasterClean™ spray nozzles that prohibit mineral build-up. Kitchen sink faucet shall feature a touch control for stream-to-spray water flow and swing spout with integral pullout sprayhead and hose. Kitchen sink faucet shall feature Promotion® technology. Kitchen sink faucet shall include parts for both single-hole and three-hole installation. Kitchen sink faucet shall be Kohler Model K-10433.



### Technical Information

All measurements are approximate only.  
Spout reach: 10-1/8" (257 mm)

### Installation Notes

Install this product according to the installation guide.  
Lower flow kit or higher flow kit is available.  
Faucet contains all necessary parts for both single-hole and three-hole installations.  
The deep roughing-in kit (1012715) is designed for a mounting surface 1-3/8" (35 mm) to 3-3/8" (86 mm) thick. The faucet mounting hole should be between 1-7/16" (37 mm) to 1-1/2" (38 mm) in diameter.