

Features

- Metal construction
- One-piece, self-contained ceramic disc valve allows both volume and temperature control
- Temperature memory allows faucet to be turned on and off at any temperature setting
- Touch control for stream-to-spray water flow
- Promotion™ technology with nylon hose and ball joint for easy operation
- Flexible connections for easy installation
- Three-function sprayhead with spray, aerated stream, and pause settings
- 360° spout rotation
- For single-hole or three-hole installation when 10-1/2" (26.7 cm) escutcheon plate (included) is used
- 1.8 gallons (6.8 L) per minute maximum flow rate at 60 psi (4.1 bar)
- Meets CalGreen requirements for kitchen faucets

Codes/Standards Applicable

Specified model meets or exceeds the following at date of manufacture:

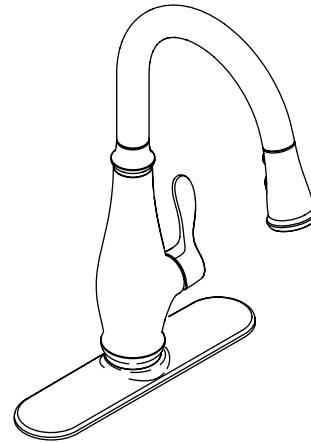
- ADA
- ICC/ANSI A117.1
- ASME A112.18.1/CSA B125.1
- Energy Policy Act of 1992
- NSF 61
- All applicable US Federal and State material regulations

Specified Model

Model	Description	Colors/Finishes	
K-780	Pull-down kitchen sink faucet	<input type="checkbox"/> CP	<input type="checkbox"/> VS

**PULL-DOWN KITCHEN SINK FAUCET
K-780**

ADA



Colors/Finishes

- CP: Polished Chrome
- VS: Stainless Steel

Accessories

- NA: None applicable

Product Specification

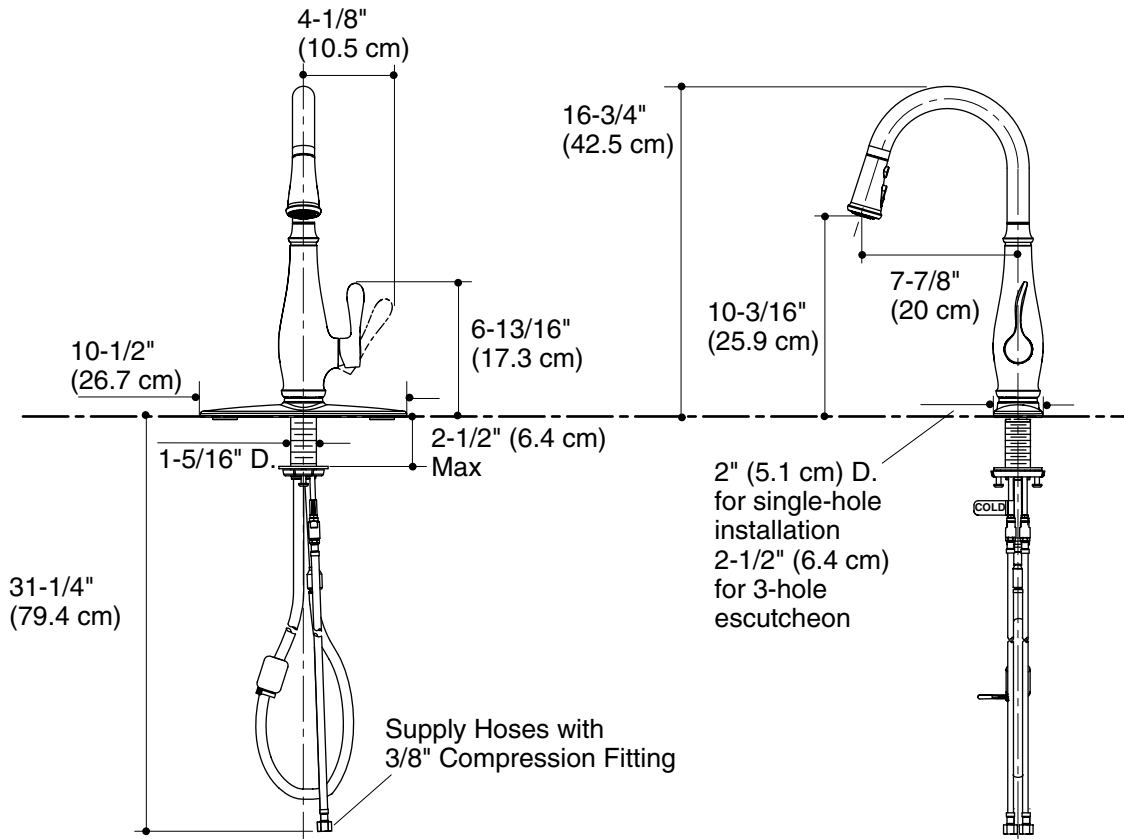
The pull-down kitchen sink faucet with transitional styling shall be of metal construction. Product shall feature a 1.8 gallon (6.8 L) per minute maximum flow rate at 60 psi (4.1 bar). Product shall feature a one-piece, self-contained ceramic disc valve, which allows both volume and temperature control. Product shall feature temperature memory, allowing the faucet to be turned on and off at any temperature setting. Product shall feature a touch control for stream-to-spray water flow and Promotion technology with nylon hose and ball joint for easy operation. Product shall feature 360° spout rotation and flexible connections for easy installation. Product shall feature a three-function sprayhead with spray, aerated stream, and pause settings. Product shall be for single-hole or three-hole installation when included 10-1/2" (26.7 cm) escutcheon plate is used. Product shall meet CalGreen requirements for kitchen faucets. Pull-down kitchen sink faucet shall be Kohler Model K-780-_____.



Optional Accessories		
1012715	Deep roughing-in kit – provides an additional 2" (5.1 cm) assembly depth	<input type="checkbox"/> NA
1167289	Low flow kit – reduces maximum flow to 1.5 gpm (5.7 L) at 60 psi (4.1 bar)	<input type="checkbox"/> NA
1167290	High flow kit – increases maximum flow to 2.2 gpm (8.3 L) at 60 psi (4.1 bar)	<input type="checkbox"/> NA

Installation Notes

Install this product according to the installation guide.



Product Diagram