



Adjustable Shelf with Electrical Outlets K-99678-SH6

Features

- For use with K-99511 Jacquard™, K-99524 Damask™, and K-99537 Poplin™ vanities.
- Catalyzed conversion varnish provides a durable moisture-resistant finish.
- Includes four electrical outlets (two switched; two unswitched).
- Appliances can remain plugged in while vanity door is closed.

Material

- Solid wood and veneers.



Codes/Standards


CARB P2

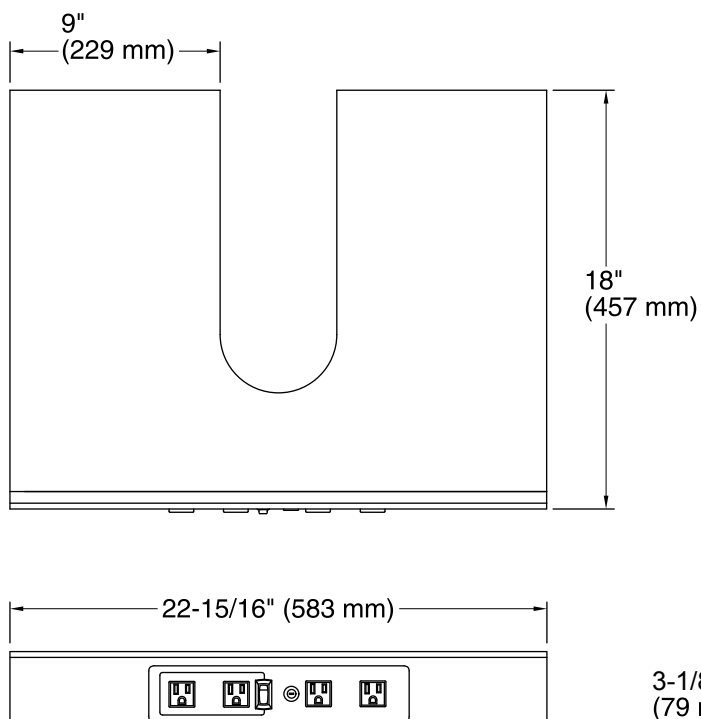
KOHLER® One-Year Limited Warranty

See website for detailed warranty information.

Available Color/Finishes

Color tiles intended for reference only.

Color	Code	Description
	1WR	Oxford Maple



Required Electrical Service

One dedicated circuit required, protected with Class A Ground-Fault Circuit-Interrupter (GFCI) or Residual Current Device (RCD).

120 V, 15 A, 60 Hz

Technical Information

All product dimensions are nominal.

Notes

Install this product according to the installation guide.

Install a Ground-Fault Circuit-Interrupter (GFCI) outlet prior to installing the vanity.