

Features

- Optional escutcheon included for 1- or 3-hole installation.
- KOHLER finishes resist corrosion and tarnishing, exceeding industry durability standards over two times.
- KOHLER ceramic disc valves exceed industry longevity standards over two times for a lifetime of durable performance.
- High-arch spout offers more space to work in the sink.
- 1.2 gal/min (4.5 l/min) maximum flow rate [max at 60 psi (4.14 bar)].

Material

- Premium material construction for durability and reliability.



ADA CSA B651 OBC

Codes/Standards

ASME A112.18.1/CSA B125.1

NSF 61

All applicable US Federal and State material regulations

DOE - Energy Policy Act 1992

EPA WaterSense®

California Energy Commission (CEC)

ADA

ICC/ANSI A117.1

CSA B651

OBC

KOHLER® Faucet Lifetime Limited Warranty

See website for detailed warranty information.

Available Color/Finishes

Color tiles intended for reference only.

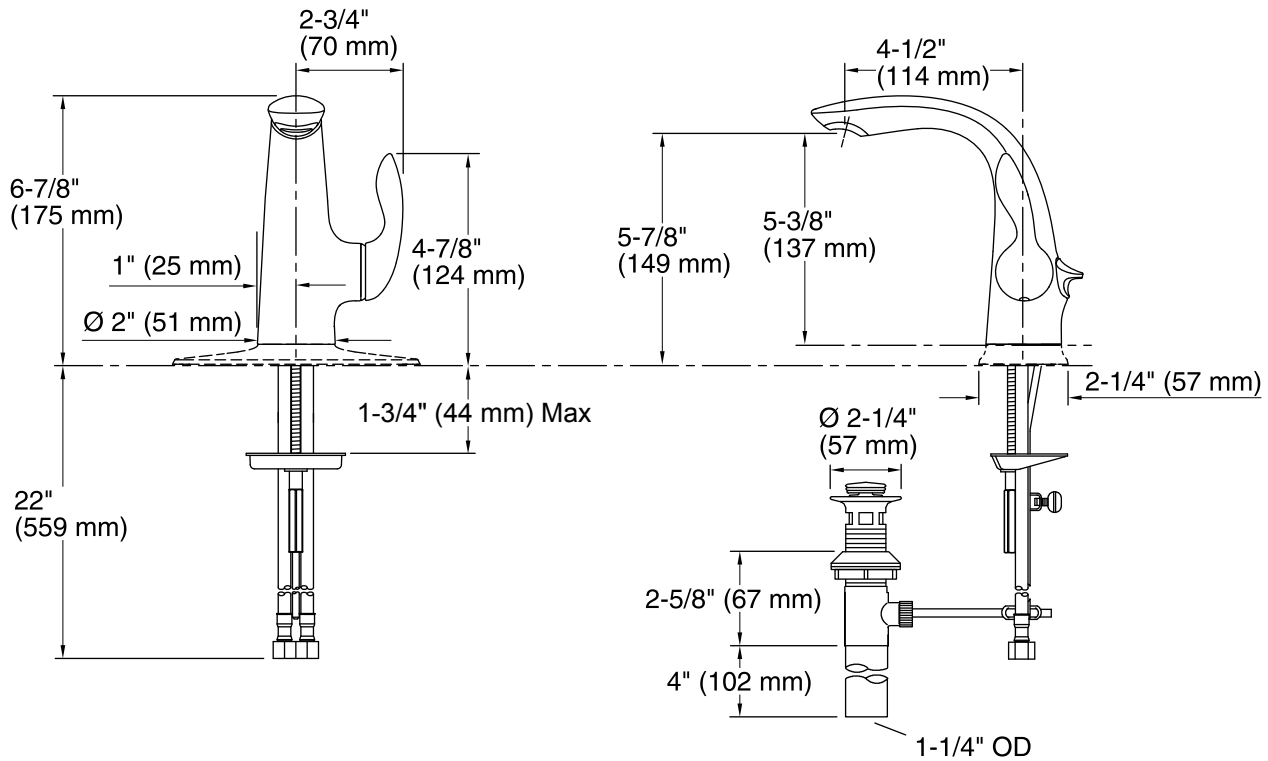
Color	Code	Description
-------	------	-------------



CP Polished Chrome



BN Vibrant® Brushed Nickel



Pop-Up Drain

Technical Information

All product dimensions are nominal.

Valve body:	Machined Brass
Drain included:	YES
Drain with overflow:	YES
Drain tailpiece included:	YES

Spout:

Spout reach:	4-1/2" (114 mm)
Handle clearance:	3" (76 mm)

Faucet:

Flow rate:	1.2 gal/min (4.5 l/min)
Pressure:	60 psi (4.1 bar)

Notes

Install this product according to the installation guide.

If possible, install the faucet and drain to the bathroom sink before installing the sink.

ADA, OBC, CSA B651 compliant when installed to the specific requirements of these regulations.