

Features

- Metal construction
- Pop-up drain with tailpiece
- 5-3/8" (137 mm) spout reach
- 1.5 gal/min (5.7 l/min) maximum flow rate

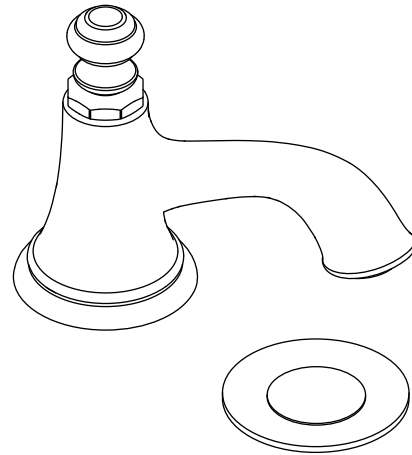
**WIDESPREAD BATHROOM SINK SPOUT
K-72759**



Codes/Standards Applicable

Specified model meets or exceeds the following:

- ASME A112.18.1/CSA B125.1
- NSF 61
- EPA WaterSense®
- All applicable US Federal and State material regulations



Colors/Finishes

- CP: Polished Chrome
- Other: Refer to Price Book for additional colors/finishes

Specified Model

Model	Description	Color/Finish	
K-72759	Widespread bathroom sink spout	<input type="checkbox"/> CP	<input type="checkbox"/> Other ____
Required Accessories			
	ADA	ADA	ADA
K-98068-3M	Prong handles (pair) OR	<input type="checkbox"/> CP	<input type="checkbox"/> Other ____
K-98068-4	Lever handles (pair) OR	<input type="checkbox"/> CP	<input type="checkbox"/> Other ____
K-98068-9M	Swing lever handles (pair)	<input type="checkbox"/> CP	<input type="checkbox"/> Other ____

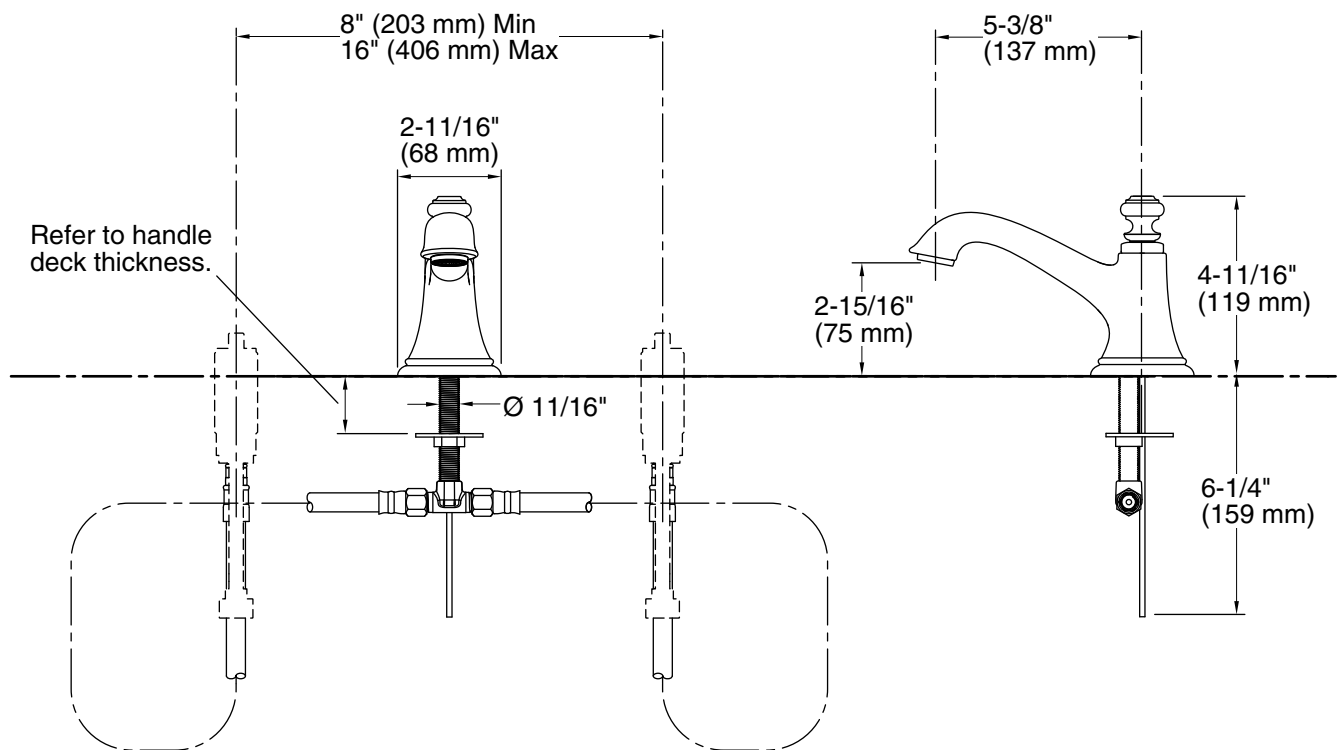
Product Specification

The widespread bathroom sink spout shall be made of metal construction. Spout shall have a 1.5 gal/min (5.7 l/min) maximum flow rate. Spout shall feature a 5-3/8" (137 mm) spout reach and pop-up drain with tailpiece. Widespread bathroom sink spout shall be Kohler Model K-72759-_____.

ARTIFACTS™

Installation Notes

Install this product according to the installation guide.



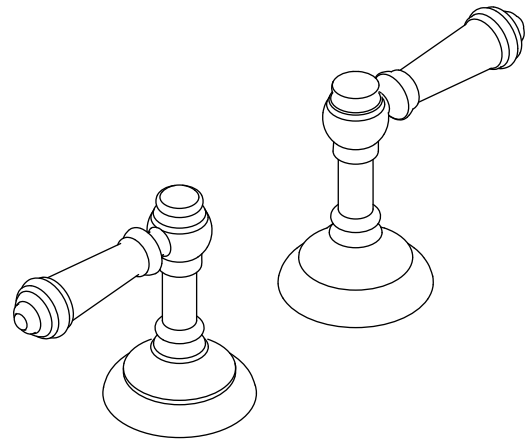
Product Diagram

Features

- Metal construction
- Brass valve bodies
- Quarter-turn washerless ceramic disc valves
- Flexible connections for easy installation
- Handles are ADA compliant
- For 8" (203 mm) or 16" (406 mm) centers

**WIDESPREAD BATHROOM SINK
FAUCET HANDLES
K-98068**

ADA



Codes/Standards Applicable




Specified model meets or exceeds the following:

- ADA
- ICC/ANSI A117.1
- ASME A112.18.1/CSA B125.1
- NSF 61
- All applicable US Federal and State material regulations

Colors/Finishes

- CP: Polished Chrome
- Other: Refer to Price Book for additional colors/finishes

Specified Model

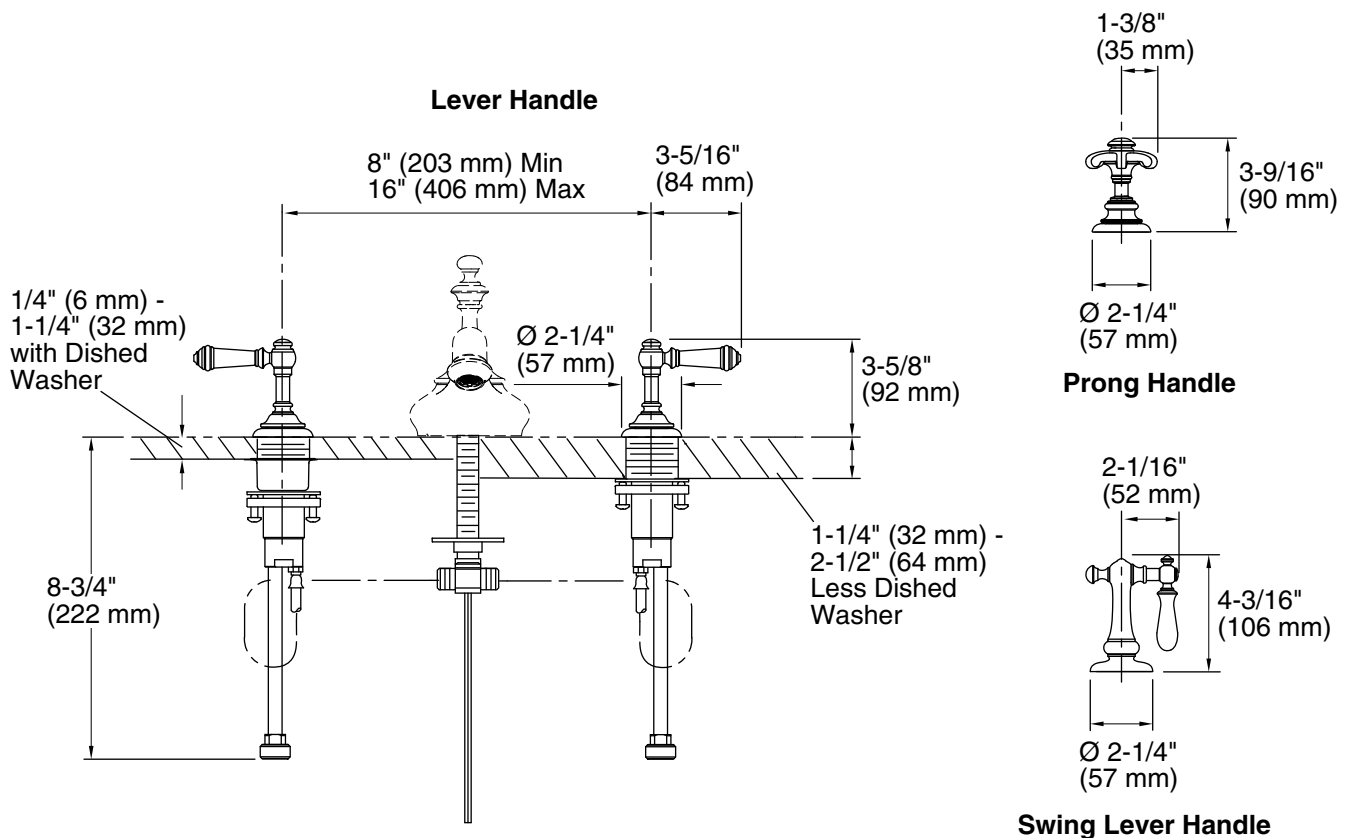
Model	Description	 ADA		 ADA		 ADA	
		<input type="checkbox"/> CP	<input type="checkbox"/> Other ____	<input type="checkbox"/> CP	<input type="checkbox"/> Other ____	<input type="checkbox"/> CP	<input type="checkbox"/> Other ____
K-98068-3M	Widespread bathroom sink faucet handles - prong (pair)	<input type="checkbox"/>	<input type="checkbox"/>				
K-98068-4	Widespread bathroom sink faucet handles - lever (pair)			<input type="checkbox"/>	<input type="checkbox"/>		
K-98068-9M	Widespread bathroom sink faucet handles - swing lever (pair)					<input type="checkbox"/>	<input type="checkbox"/>

Product Specification

The widespread bathroom sink faucet handles shall be made of metal construction. Handles shall feature brass valve bodies. Handles shall feature quarter-turn washerless ceramic disc valves. Handles shall be for 8" (203 mm) or 16" (406 mm) centers. Handles shall feature flexible connections for easy installation. Handles shall be ADA compliant. Bathroom sink faucet handles shall be Kohler Model K-98068-_____-_____.

Installation Notes

Install this product according to the installation guide.



Product Diagram