

Product Information

Fixture: Approx. measurements for comparison only.	
Bathing well:	
Basin area, bottom	48" (1219 mm) x 24" (610 mm)
Basin area, top	59" (1499 mm) x 30" (762 mm)
Weight	91 lbs (41.3 kg)
To overflow:	
Water depth	14" (356 mm)
Capacity	67 gal (253.6 L)

Amplifier/control:	15 W (per channel)	120 V	50/60 Hz	-
Heater:	65 W	120 V	60 Hz	1.1 A

Required Electrical Service

Dedicated circuit required, protected with Class A Ground-Fault Circuit-Interrupter (GFCI) or Residual Current Device (RCD): 120 V, 15 A, 50/60 Hz

Installation Notes

Install this product according to the installation guide. Ensure that the interface, amplifier, and transducers are functional before completing the installation.

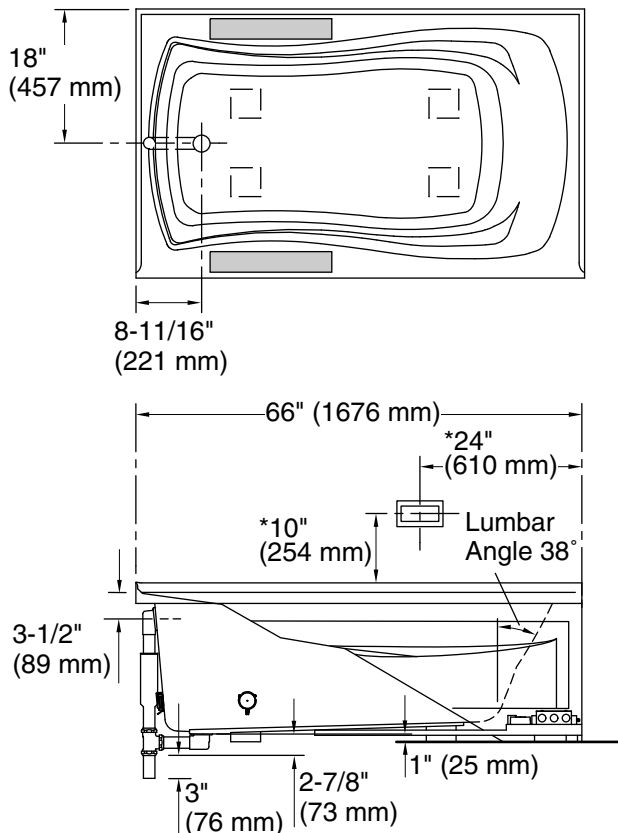
Control amplifier fits 16" (406 mm) center studs. 25' (7.6 m) cables are included.

Locate the bath within 24" (610 mm) of a GFCI-protected 120 V, 15 A grounded electrical outlet. A second grounded outlet within the wall framing must be within 24" (610 mm) of the planned control amplifier. One electrical service may be used for the entire bath and related electrical components.

Floor support under bath must provide for a minimum of 39 lbs/square foot (190.4 kg/square meter) loading.

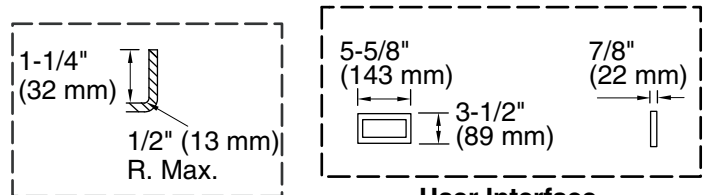
If installing a rim mount faucet, make sure any plumbing does not interfere with the drain overflow before drilling any holes. Consult local and national codes for minimum air gap requirements if installing a spout on the faucet deck.

Fixture conforms to CSA B45.5/IAPMO Z124. All dimensions are nominal.

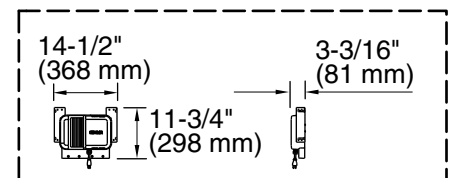


No change in measurements if connected with drain illustrated. (K-7161-AF)

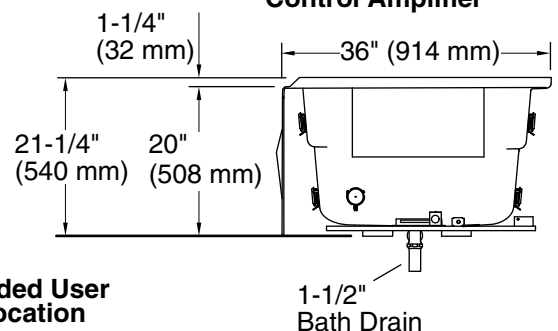
Recommended faucet area.



Integral Flange Detail



Control Amplifier



***Recommended User Interface Location**