

Features

- Integral flange.
- Integral apron.
- Integral lumbar support.
- Includes jet trim: White.
- 66" (1676 mm) x 32" (813 mm) x 17" (432 mm)

Material

- Cast iron with Safeguard® finish.

Hydrotherapy

- Left drain.
- 44 BubbleMassage™ airjets. 18 levels of massage intensity.
- Zones of Control feature allows you to target massage to back, midsection, or feet.
- Automatic purge cycles remove residual water from air channels after use.
- Built-in 300 W heater.
- Lighted keypad control.

Installation

- Alcove

Recommended Accessories

K-37380 30" Rough-in Cable Bath Drain
K-37383 30" Rough-in Cable Bath Drain
K-7259 Clearflo Bath Drain



ADA

Codes/Standards

ASME A112.19.1/CSA B45.2
ASME A112.19.7/CSA B45.10
ASTM F462
UL 1795
CSA C22.2 No. 218.2
ADA
ICC/ANSI A117.1
CARB P2

KOHLER® Lifetime Limited Warranty for Cast Iron Components

See website for detailed warranty information.

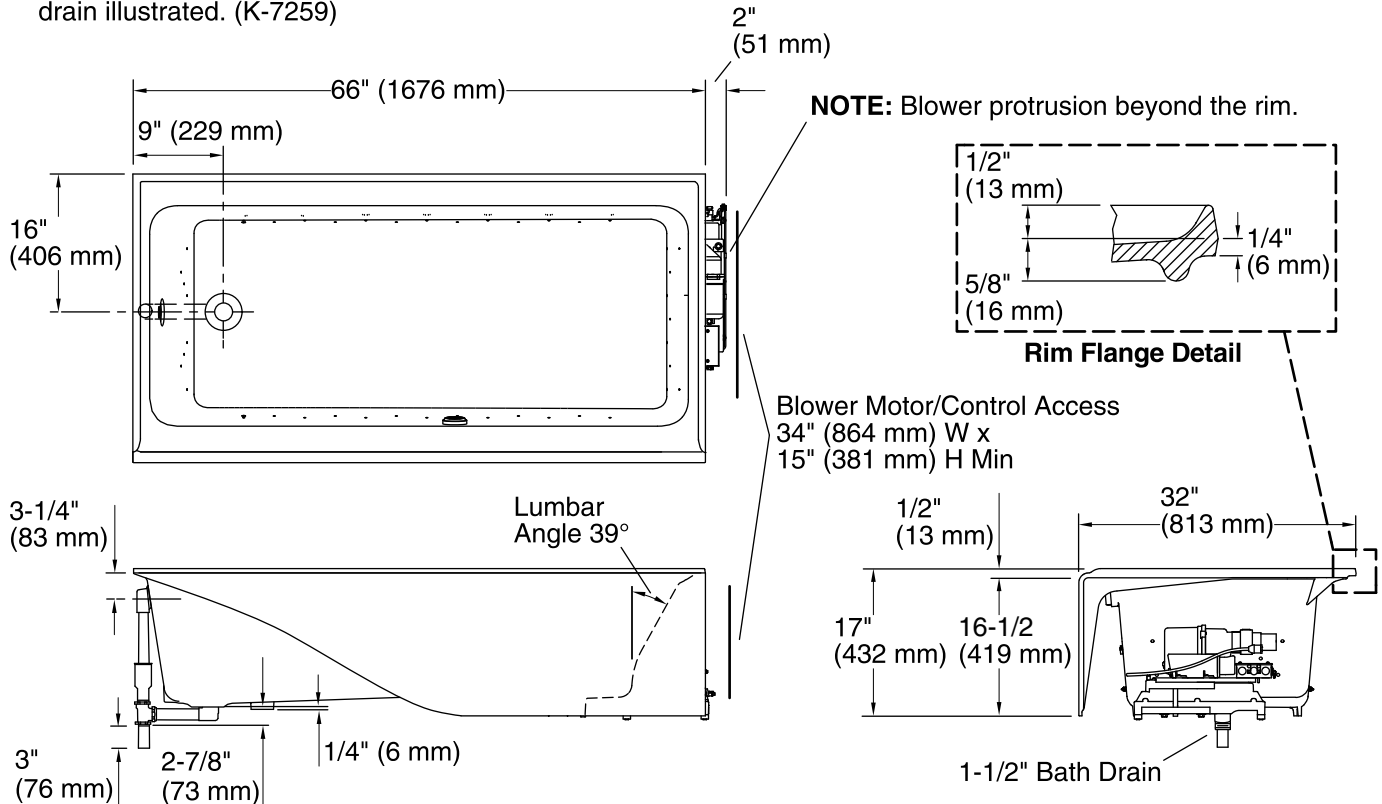
Available Color/Finishes

Color tiles intended for reference only.

Color	Code	Description
-------	------	-------------

	0	White
--	---	-------

No change in measurement if connected with drain illustrated. (K-7259)



Required Electrical Service

One dedicated circuit required, protected with Class A Ground-Fault Circuit-Interrupter (GFCI) or Residual Current Device (RCD).

Blower: 240 V, 15 A, 50/60 Hz

Technical Information

All product dimensions are nominal.

- Installation: 3-Wall Alcove
- Drain location: Left
- Basin area, bottom: 50-3/4" x 20-5/16" (1289 mm x 516 mm)
- Basin area, top: 58-7/16" x 22-5/8" (1484 mm x 575 mm)
- Weight: 470 lbs (213.2 kg)
- Minimum floor load: 61.6 lbs/ft² (300.8 kg/m²)
- Water depth: 11-11/16" (297 mm)
- Water capacity: 49 gal (185.5 L)
- Electrical component rating: Blower: 240 V, 5 A, 50/60 Hz
- Blower speed: Variable
- Minimum flat for door: 2-1/2" (64 mm)

Notes

- Measure your actual product for rough-in details.
- Install this product according to the installation instructions.
- The hot water supply should be 70% of the capacity of the bath or greater. Installations will vary.
- ADA compliant when installed to the specific requirements of these regulations.