



# Underscore® Cube BubbleMassage™ Whirlpool Bath K-1969-XH2G



## Features

- Extra deep 27-1/2" (699 mm) soaking depth.
- End drain.
- Built-in 1500 W heater.
- Integral lumbar support.
- Two raised corner seats, at 6-3/4" (171 mm) and 11-7/8" (302 mm) from bath floor.
- Less all trim.
- 48" (1219 mm) x 48" (1219 mm) x 34" (864 mm)

## Material

- Acrylic

## Hydrotherapy

- Eight fully adjustable Flexjet™ hydrotherapy jets for water flow and direction.
- 118-122 BubbleMassage™ airjets.
- Zones of Control™ feature allows you to target shoulders, mid-section or feet.
- Variable-speed pump for adjusting hydromassage intensity.
- Lighted keypad control.

## Installation

- Under-mount

## Recommended Accessories

- K-8150 Cube Cable Drain
- K-8134 Bath cable drain trim
- K-578 Cube Undermount Installation Kit
- K-9698 Flexjet® Whirlpool Trim Kit
- K-24916 Wireless Music Kit



## Codes/Standards



ASME A112.19.7/CSA B45.10  
CSA B45.5/IAPMO Z124  
ASTM E162  
ASTM E662  
UL 1795  
CSA C22.2 No. 218.2  
Greenguard UL 2818 - Gold  
CARB P2

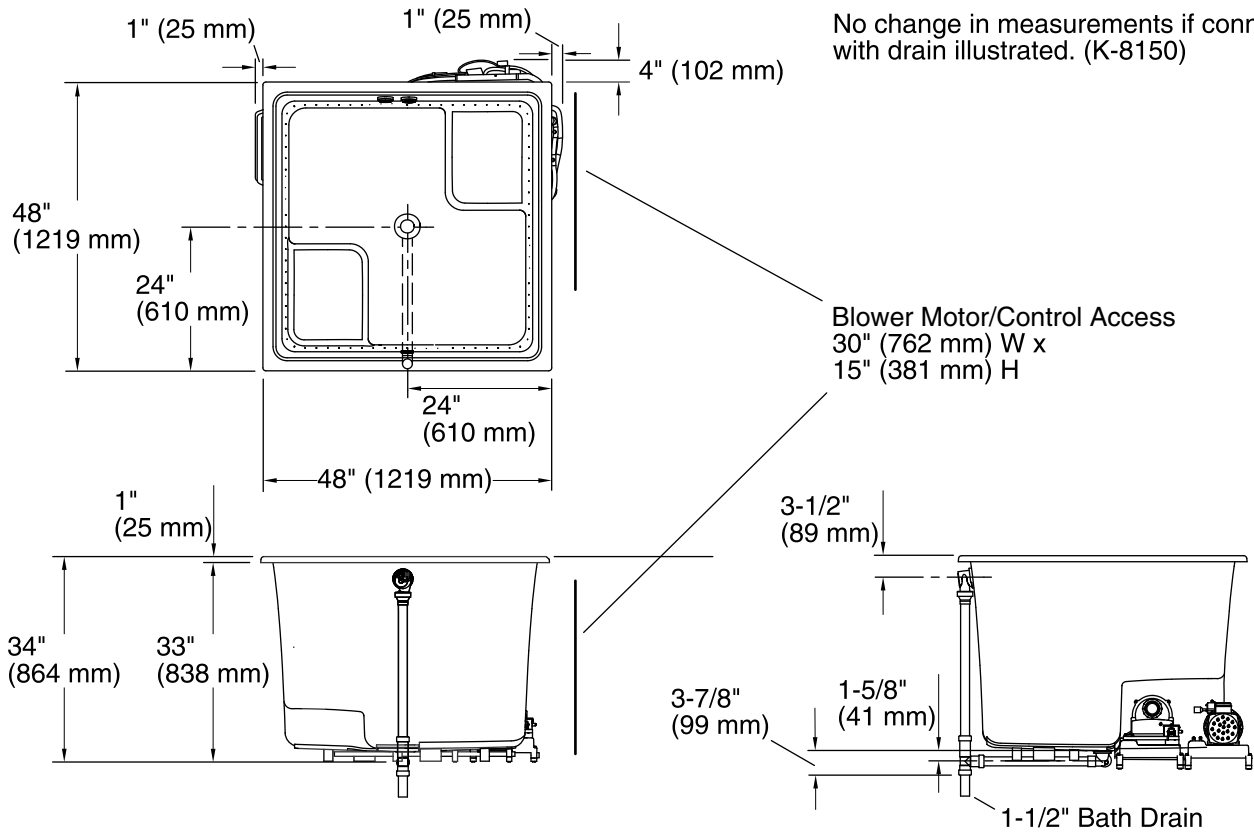
## KOHLER® One-Year Limited Warranty

See website for detailed warranty information.

## Available Color/Finishes

*Color tiles intended for reference only.*

Color	Code	Description
	0	White
	96	Biscuit



### Required Electrical Service

One dedicated circuit required, protected with Class A Ground-Fault Circuit-Interrupter (GFCI) or Residual Current Device (RCD).

Blower, Pump, 240 V, 20 A, 50/60 Hz  
Heater:

### Technical Information

All product dimensions are nominal.

Installation:	Under-mount
Drain location:	End
Basin area, bottom:	39-3/8" x 39-3/8" (1000 mm x 1000 mm)
Basin area, top:	44-5/8" x 44-5/8" (1133 mm x 1133 mm)
Weight:	218 lbs (98.9 kg)
Minimum floor load:	102.3 lbs/ft <sup>2</sup> (499.5 kg/m <sup>2</sup> )
Water depth:	27-1/2" (699 mm)
Water capacity:	171 gal (647.3 L)
Template:	Under-mount, K-578, not required, not included
Electrical component rating:	Blower: 240 V, 5 A, 50/60 Hz Pump: 240 V, 11 A, 50/60 Hz Heater: 240 V, 50/60 Hz, 1500 W

### Notes

Measure your actual product for rough-in details.

Install this product according to the installation instructions.

The hot water supply should be 70% of the capacity of the bath or greater. Installations will vary.

**IMPORTANT!** Dry fit the drain assembly prior to installing the bath. The bath cannot be installed with all drain components attached.

There are 1" (25 mm) or 4" (102 mm) protrusions beyond the rim of the bath on three sides of this unit. Modify the framing as needed.

This product is intended for under-mount installation only.