

# Installation and Care Guide

## Whirlpool Bath with Airjets

### Custom Installation

Retain serial number for reference:

Conserver le numéro de série pour référence:

Guarde el número de serie para referencia: \_\_\_\_\_

Français, page "Français-1"

Español, página "Español-1"

THE BOLD LOOK  
OF **KOHLER**®

# Installation Instructions



**WARNING:** When using electrical products, basic precautions should always be followed, including the following:



**WARNING: Risk of electric shock.** Connect only to a circuit protected by a Ground-Fault Circuit-Interrupter (GFCI)\*.

Building materials and wiring should be routed away from the whirlpool pump, blower motor, and other heat-producing components of the unit.

Install to permit access for servicing.

A pressure wire connector marked "Earth/Ground" is provided within the wiring compartment. To reduce the risk of electric shock, connect this connector to the grounding terminal of your electric service or supply panel with copper wire equivalent in size to the circuit conductor supplying this equipment.

Pressure wire connectors are provided on the exterior of the junction box or control within this unit to permit connection of a bonding conductor between this unit and all other exposed metal in the vicinity, as needed to comply with local requirements.

An equipment grounding terminal is provided in the field wiring compartment. To reduce the risk of electric shock, this terminal must be connected to the grounding means provided in the electric supply panel with a conductor equivalent in size to the circuit conductors supplying this equipment.

**Grounding is required.** The unit should be installed by a qualified service representative, and grounded.



**WARNING: Risk of injury or property damage.** Please read all instructions thoroughly before beginning installation.



**WARNING: Risk of electric shock.** A qualified electrician should make all electrical connections.



**WARNING: Risk of electric shock.** Disconnect power before servicing.

**NOTICE: Follow all local plumbing and electrical codes.** In Canada, install this unit in accordance with the Canadian Electrical Code, Part 1.

\*Outside North America, this device may be known as a Residual Current Device (RCD).

## Product Information

### Electrical Requirements

The installation must have a Class A Ground-Fault Circuit-Interrupter (GFCI) or Residual Current Device (RCD). The GFCI or RCD protects against line-to-ground shock hazards. **Use a 220 - 240 V, 20 A, 50/60 Hz dedicated service for the bath.**

### Product Notices



**WARNING: Unauthorized modification may cause unsafe operation and poor performance of the bath.** Do not relocate the whirlpool pump or blower motor, or make other modifications to the bath system, as this could adversely affect the performance and safe operation of the product. Kohler Co. shall not be liable under its warranty or otherwise for personal injury or damage caused by any such unauthorized modification.

**NOTICE:** Custom installation is required for both drop-in and flanged models.

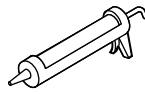
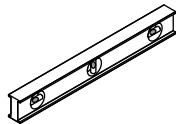
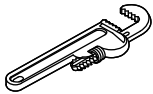
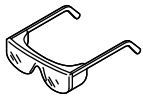
**NOTICE:** Keep the area around the blower motor clean and free of sawdust, insulation, dirt, or other small loose debris. Such material could plug the blower motor air intake and reduce the air flow through the blower.

## Product Information (cont.)

### Features

Factory assembled components include a pump with control, blower motor with control, whirlpool jets, heater, air harness, butterfly valves, electrical harnesses, illuminated keypad for whirlpool operation, and illuminated keypad for airjet operation. Other than power wiring and plumbing connections, no assembly is required.

### Tools and Materials



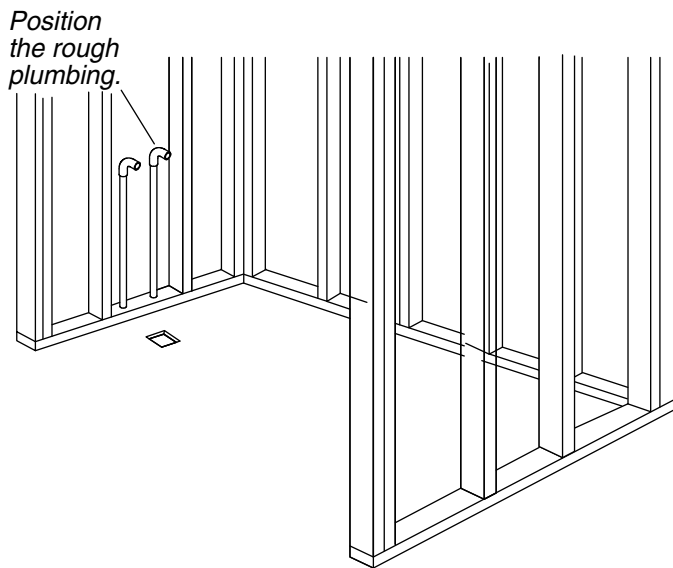
#### Plus:

- Conventional Woodworking Tools and Materials
- Drop Cloth
- Construction Adhesive (Optional)
- Cement\* or Mortar (Optional)
- 2x4s

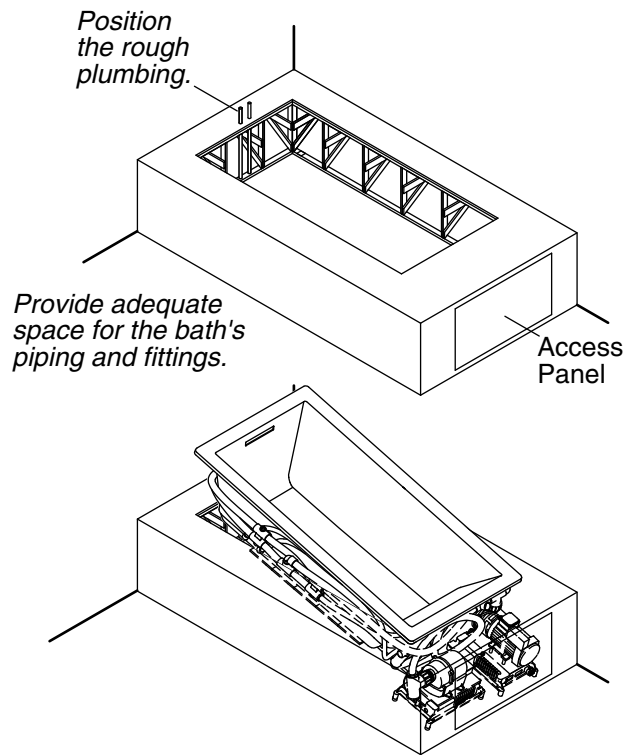
\* *Do not use gypsum cement.*

100% Silicone Sealant

### Custom Alcove Installation (Flanged Models Only)



### Custom Drop-In Installation



## 1. Prepare the Site

**NOTICE:** Measure your product for site preparation. Note the **model number** located on the pump/blower end of the bath, then visit the product page at [www.kohler.com](http://www.kohler.com) for more information.

**NOTICE:** Custom installation is required for both drop-in and flanged models.

**NOTICE:** Drop-in models are **not** intended for alcove installation. Use a flanged model for alcove areas.

**NOTICE:** Provide adequate ventilation and a minimum 15 cubic feet (.4 cubic meters) of air space in the installed location for cooling the motor and to supply sufficient air for the blower. Do not install the blower motor closer than 1" (25 mm) from the wall or other objects.

**NOTICE:** Provide **generous, unrestricted access to the pump and blower**. You must provide access immediately next to the pump, blower, and controls for servicing.

**NOTICE:** Do not support the weight of the bath by the rim.

**NOTE:** Alcove, under-mount, or drop-in installation is possible, depending on the product chosen.

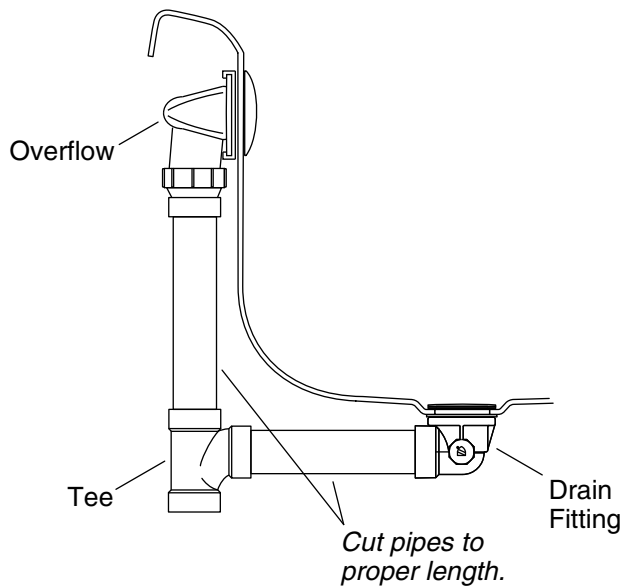
**NOTE:** For under-mount installation, an under-mount kit is required.

**IMPORTANT!** The bath's pump and blower may extend beyond the bath rim. Measure your product, and provide adequate space for the pump and blower within the stud-framed cavity. Determine the distance the pump and blower extend beyond the bath rim, and construct your stud framing accordingly.

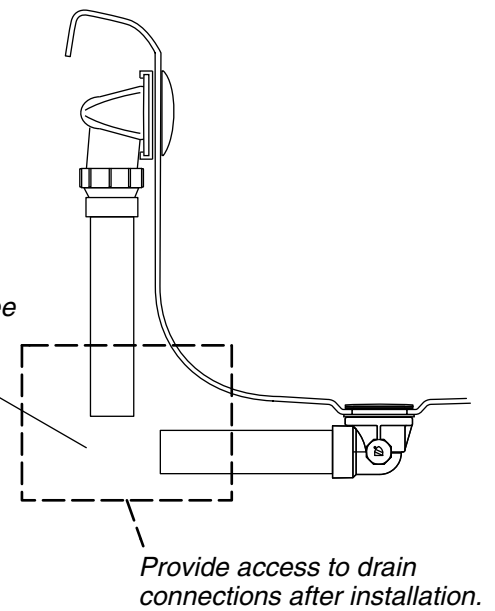
- Make sure the flooring offers adequate support for the bath, and verify that the subfloor is flat and level.
- Construct 2x4 stud framing, keeping in mind that the blower and pump extend beyond the bath rim.

### **Prepare the Site (cont.)**

- Install an access panel on the pump/blower end of the bath for servicing. The access panel must be large enough to provide access to the pump and blower. Refer to the product specification sheet for the minimum required access panel size for your bath model.
- Install the rough plumbing.



**IMPORTANT!**  
**For Drop-In Installation:**  
 Remove the tee to ease bath installation.



## 2. Prepare the Bath

**NOTICE:** Do not lift the bath by the piping, pump, or blower, or use these components for structural support of the bath. To avoid damage to the bath, lift at the sides of the bath.

**IMPORTANT!** Provide access to the drain connections after bath installation.

**IMPORTANT!** Do not rest the bath on the drain fitting while connected to the bath.

**IMPORTANT! Drop-In Models:** Do not fully install the drain assembly prior to installing the bath. The bath cannot be installed with all drain components attached.

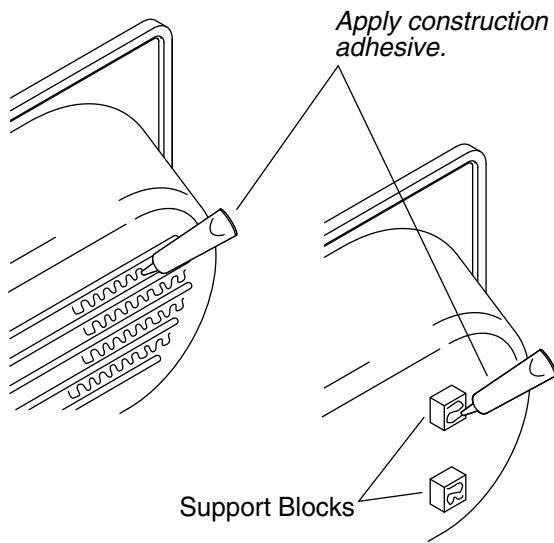
### Drop-In Installation

- Assemble the slotted overflow and drain fitting to the bath.
- Cut the overflow pipe and drain waste pipe to proper lengths and dry fit the drain tee to verify fit.
- Remove the drain tee to provide flexibility when installing the bath.
- Protect the bath surface by positioning a clean drop cloth in the bottom.

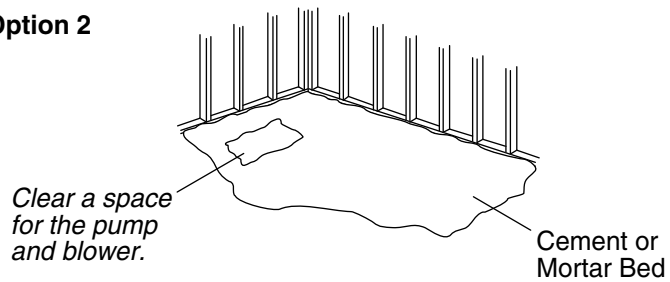
### Alcove Installation

- Fully install the drain to the bath according to the instructions packed with the drain.
- Protect the bath surface by positioning a clean drop cloth in the bottom.

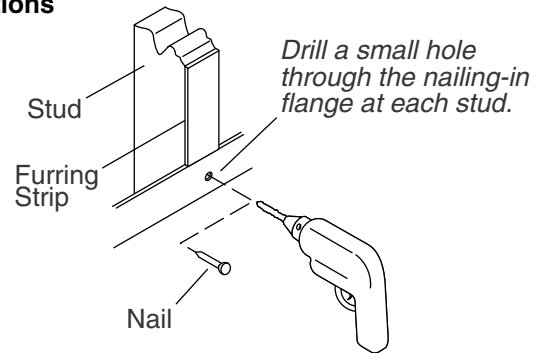
### Option 1



### Option 2



### Alcove Installations



## 3. Install the Bath

**NOTICE:** Do not lift the bath by the piping, pump, or blower, or use these components for structural support of the bath. To avoid damage to the bath, lift at the sides of the bath.

- If the subfloor is not level, shim the bath support blocks as necessary.
- **Option 1: Construction adhesive:** Apply a generous amount of high-quality construction adhesive to the bottom of the support blocks.
- **Option 2: Cement or mortar bed:** Apply 1" (25 mm) to 2" (51 mm) of mortar cement in the installation area. Do not use gypsum cement or drywall compound, as they will not provide an acceptable, durable bond.

**IMPORTANT!** Use care not to pinch or crush the flexible tubing as the bath is placed into position.

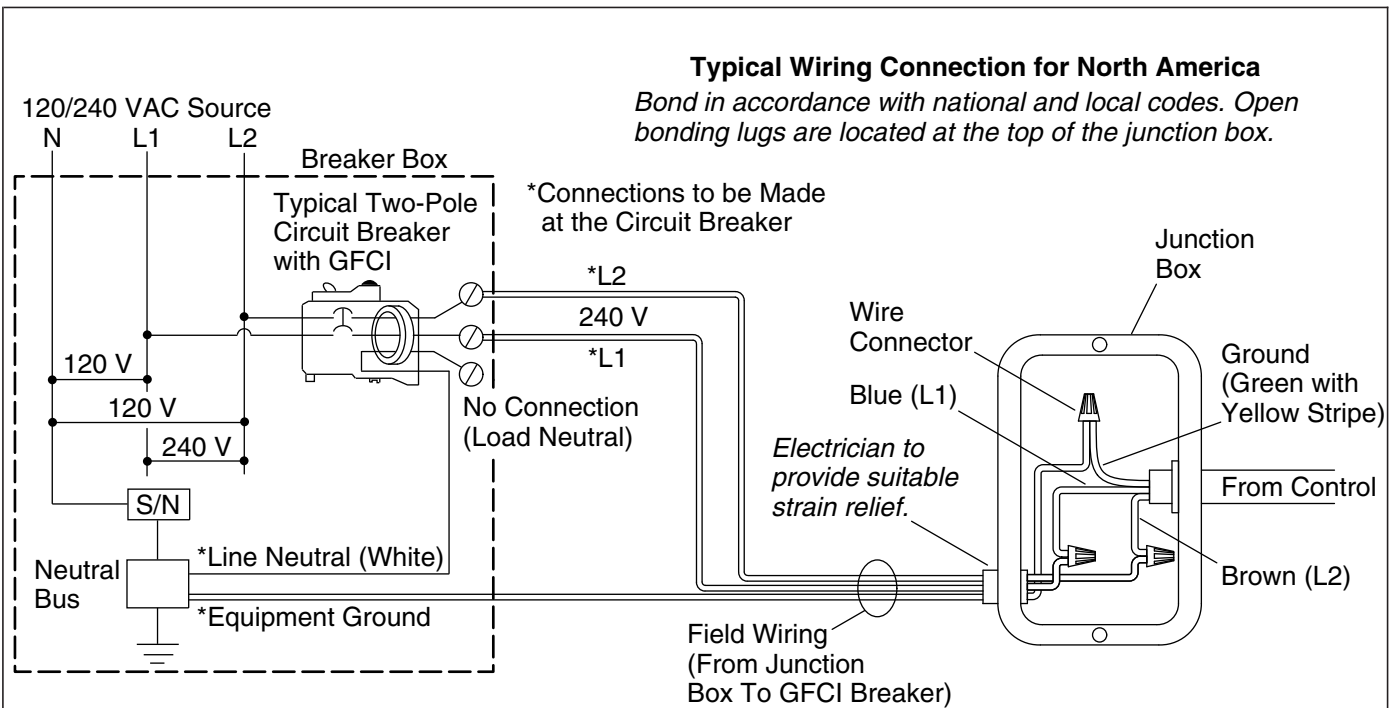
- With help, carefully lift the bath into position. Tilt the pump/blower end of the bath into place first. Shift the flexible tubing away from any pinch points.

### Drop-In Installation

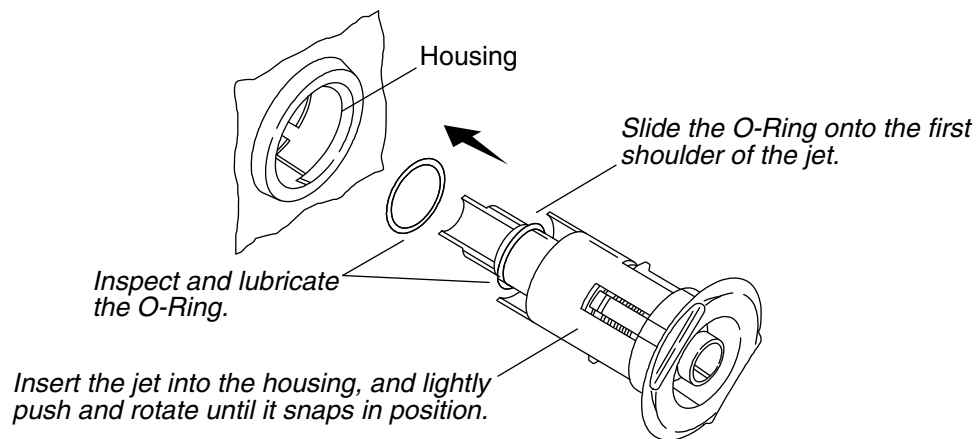
- Install the drain tee and tailpiece. Secure the tailpiece into the trap.
- Install the faucet valve.
- Check the drain connections for leakage.

### Alcove Installation

- Drill a small pilot hole through the nailing-in flange at each stud. Add shims as needed.
- Use large-head galvanized nails to secure the nailing-in flange to the studs.
- Nail 1/4" (6 mm) thick furring strips to the studs.
- Insert the drain tailpiece into the trap. Secure the drain tailpiece to the trap.
- Install the faucet valve.
- Check the drain connections for leakage.







## 5. Complete the Installation

### Install the Trim Kit

- Install the suction cover and jets according to the instructions packed with the trim kit.

### Test Run the Bath

- Fill the bath at least 2" (51 mm) above the top of the highest whirlpool jet.
- Turn off the bath and let sit for five minutes. Check all bath piping connections for leaks. Check for leakage along the front, sides, and back of the bath.
- Turn on the blower and run for 5 minutes. Check for proper operation and function.
- For additional information on bath operation, see the "Operating the Whirlpool System" and "Operating the Air System" sections.

### Finish the Installation

- Install water-resistant wallboard and all finished wall, deck, and floor materials. Ensure a 1/16" (2 mm) gap between the bath rim and the finished material.
- Apply silicone sealant to seal all areas where the bath and finished wall or deck meet.
- Install the faucet trim.

### Clean-up After Installation

- When cleaning up after installation, **do not use abrasive cleansers**, as they may scratch and dull the bath surface. Use warm water and a liquid detergent to clean the surface of the bath.
- Remove stubborn stains or paint with turpentine or paint thinner. **Do not allow cleaners containing petroleum distillates to remain in contact with any bath surface for long periods of time.** Remove plaster by carefully scraping with a wood edge. Do not use metal scrapers, wire brushes, or other metal tools. Use a powder-type detergent on a damp cloth to provide mild abrasive action to any residual plaster.

## Important Safety Instructions

**READ AND FOLLOW ALL INSTRUCTIONS**

**SAVE THESE INSTRUCTIONS**

INSTRUCTIONS PERTAINING TO A RISK OF FIRE, ELECTRIC SHOCK, OR INJURY TO PERSONS

## Important Safety Instructions (cont.)



**WARNING:** When using electrical products, basic precautions should always be followed, including the following:



**DANGER: Risk of accidental injury or drowning.** To reduce the risk of injury, do not permit children to use this unit unless they are closely supervised at all times.



**WARNING: Risk of personal injury.** To avoid injury, exercise care when entering or exiting the bath.



**WARNING: Risk of electric shock.** Do not permit electric appliances (such as a hair dryer, lamp, telephone, radio, or television) within 5' (1.5 m) of this bath.



**WARNING: The use of alcohol, drugs, or medication can greatly increase the risk of fatal hyperthermia.** Prolonged immersion in hot water may induce hyperthermia. Hyperthermia occurs when the internal temperature of the body reaches a level several degrees above the normal body temperature of 98.6°F (37°C). The symptoms of hyperthermia include an increase in the internal temperature of the body, dizziness, lethargy, drowsiness, and fainting. The effects of hyperthermia include: (a) failure to perceive heat, (b) failure to recognize the need to exit the bath, (c) unawareness of impending hazard, (d) fetal damage in pregnant women, (e) physical inability to exit the bath, and (f) unconsciousness resulting in the danger of drowning.



**WARNING: Risk of fetal injury.** Pregnant or possibly pregnant women should consult a physician before using the bath.



**WARNING: Risk of hyperthermia or drowning.** Do not use the bath immediately following strenuous exercise.



**WARNING: Risk of hyperthermia or drowning.** Water temperature in excess of 100°F (38°C) may cause injury. Test and adjust the water temperature before use.



**WARNING: Risk of personal injury.** Never drop or insert any object into any opening.

Use this bath only for its intended purpose as described in this guide. Do not use attachments not recommended by Kohler Co.

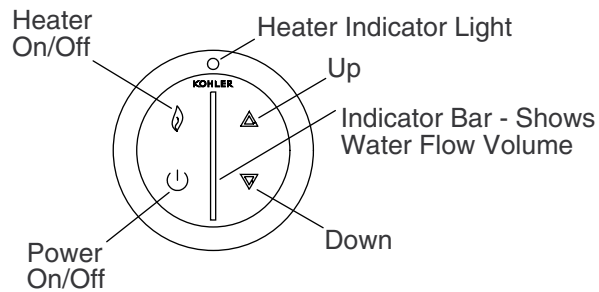
The bath must be connected only to a supply circuit that is protected by a Ground-Fault Circuit-Interrupter (GFCI)\*. Such a GFCI should be provided by the installer and should be tested on a routine basis. To test the GFCI, press the test button. The GFCI should interrupt power. Press the reset button. Power should be restored. If the GFCI fails to operate in this manner, the GFCI is defective. If the GFCI interrupts power to the bath without the test button being pressed, a ground current is flowing, indicating the possibility of an electric shock. Do not use this bath. Disconnect the bath and have the problem corrected by a qualified service representative before using.

Flush your whirlpool system twice a month or more depending upon usage, as described in the "Flush the System" section of this guide.

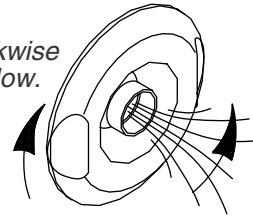
Repeated use of personal care products containing oils can damage plastic whirlpool components. Avoid using bath oils.

Whirlpool hydro-massage action can cause even a small amount of bubble bath, bath soap, shampoo, or bath oil to foam excessively. For this reason, please do not use these products during whirlpool operation.

\* Outside North America, this device may be known as a Residual Current Device (RCD).



Turn jet trim clockwise to decrease the flow.



Turn jet trim counterclockwise to increase the flow.

## Operating the Whirlpool System

**NOTE:** This is a combination whirlpool bath with airjets. For information on using the air features, refer to the "Operating the Air System" section.

**NOTE:** A built-in heater helps maintain the water temperature when the whirlpool is running. If the temperature exceeds 104°F (40°C), the heater will turn off.

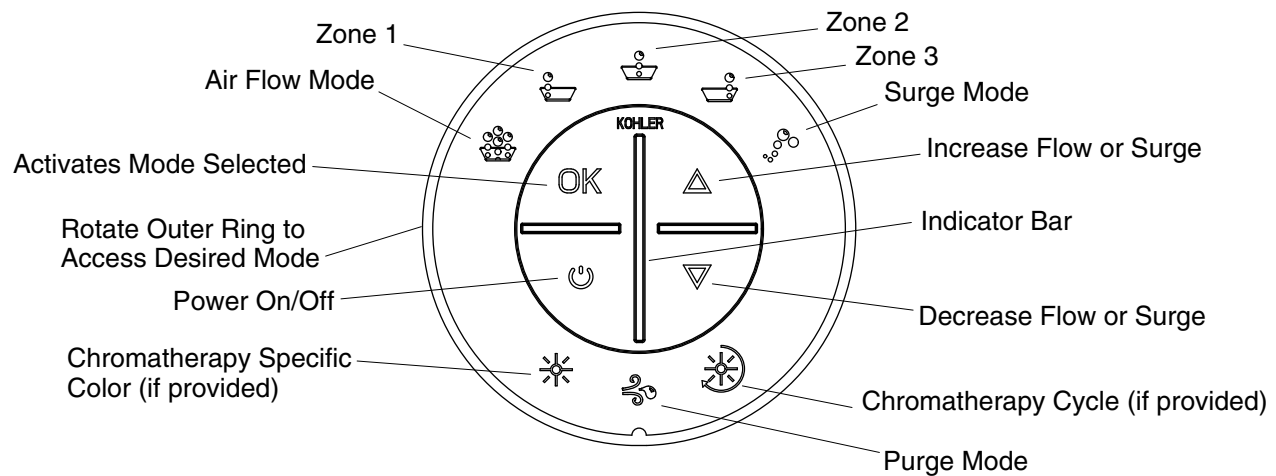
### Start/Stop the Whirlpool Jets

- Position the jet nozzles downward and turn the jet trim rings fully counterclockwise.
- Fill the bath at least 2" (51 mm) above the highest whirlpool jets.
- Use your hand to test the water temperature before entering the bath.
- Press the power icon to turn the whirlpool on. The whirlpool will start at medium flow, and the heater will turn on automatically.
- Press the power icon a second time to turn the whirlpool off.

**NOTE:** A built-in timer automatically stops the pump and motor after approximately 20 minutes of operation.

### Adjust Water Flow and Temperature

- Adjust the water flow by pressing the up or down icon. An indicator bar in the center of the keypad shows the water flow volume.
- Adjust each jet for optimum air/water mixture. Turn the jet trim clockwise to reduce air flow, or counterclockwise to increase air flow.
- Press the heater icon to turn the heater off and on.
- When illuminated, the heat indicator light shows that the water temperature will be maintained up to 104°F (40°C).



## Operating the Air System

**NOTE:** This is a combination whirlpool bath with airjets. For information on using the whirlpool features, refer to the "Operating the Whirlpool System" section.

### Start the Airjets

- Fill the bath at least 2" (51 mm) above the highest whirlpool jets to provide adequate water supply for the air system.
- Use your hand to test the water temperature before entering the bath.
- Press the power icon on the user keypad to start the air system.
- Adjust the air flow rate by pressing the up or down icon.

### Select an Air Flow Mode

- Rotate the outer ring on the keypad to select a mode.
- Press the "OK" icon to activate the mode.
- To turn a mode off, rotate the outer ring until the icon flashes green, then press the "OK" icon.
- The icon will turn blue, indicating the mode is off.

### Stop the Airjets

- Press the power icon to turn the air system off.
- Press the power icon to turn the air system off.

### Manual Purge Cycle (Optional)

**NOTE:** Follow these steps to manually purge residual water from the air system.

- After stopping the air system and draining the bath, rotate the outer ring to the purge icon.
- When the purge icon flashes blue, press the "OK" icon.
- The purge icon flashes green as the manual purge begins. The air system operates at low speed to blow residual water out of the air harness.
- After 2 minutes, the air system stops automatically.

## Care and Cleaning

For best results, keep the following in mind when caring for your KOHLER bath:

- Always test your cleaning solution on an inconspicuous area before applying to the entire surface.
- Wipe surfaces clean and rinse completely with water immediately after applying cleaner. Rinse and dry any overspray that lands on nearby surfaces.
- Do not allow cleaners to soak on surfaces.
- Use a soft, dampened sponge or cloth. Never use an abrasive material such as a brush or scouring pad to clean surfaces.
- The ideal cleaning technique is to rinse thoroughly and blot dry any water from the surface after each use.
- Use a soft nylon brush on slip-resistant surfaces. Be sure to use a water-soluble cleaner (dissolves 100% in water).
- **Do not use powdered cleaners unless the cleaner is fully dissolved in water.** Solid substances can block the airjets.
- **Do not use full strength bleach or ammonia cleaning solutions.** Chemically active cleaning solutions can damage the surface.
- **Do not use abrasive cleansers or solvents on airjet surfaces.** Abrasive cleaners and solvents can damage the airjet surface.

### Maintaining the Airjets

- If cleaning the airjets is necessary due to hard water deposits, wet a soft, non-abrasive cloth with white vinegar and wipe the plugged airjet holes. Immediately rinse the area with clean water to avoid long-term exposure of the vinegar to the airjet surface.
- Fill the bath with water to the top row of airjets. Drain the bath, and press the purge button.

For detailed cleaning information and products to consider, visit [www.kohler.com/clean](http://www.kohler.com/clean). To order Care & Cleaning information, call 1-800-456-4537.

## Flush the System

**NOTE:** Flush your whirlpool system twice a month or more, depending upon usage.

- Turn the jet trim rings fully clockwise to reduce air induction.
- Fill the whirlpool with hot water to a level at least 2" (51 mm) above the highest jet.
- Add 2 teaspoons (10 ml) of a low-foaming, powder automatic dishwasher detergent and 20 ounces (590 ml) of household bleach (5% - 6% sodium hypochlorite) to the water.
- Run the whirlpool for 5 to 10 minutes. Turn off the whirlpool and drain.
- If desired, rinse the bath surfaces with water.
- Rinse the surfaces of the jets, faucet, grab bars, and drain, and wipe them dry with a soft cloth.

## Troubleshooting

**NOTICE:** This section is for general aid only. A Kohler Co. Authorized Service Representative or qualified electrician should correct any electrical problems. For warranty service, call 1-800-4KOHLER from within the USA and Canada, or 001-800-456-4537 from within Mexico.

**NOTE:** The product model number is printed on a label on the pump/blower side of the bath.

**NOTE:** For service parts information, visit your product page at [www.kohler.com/serviceparts](http://www.kohler.com/serviceparts).

## Troubleshooting (cont.)

### Whirlpool System

Symptoms	Probable Causes	Recommended Action
1. User keypad does not illuminate when Power icon is pressed or (if applicable) the outer ring is rotated.	<p>A. No power to control.</p> <p>B. GFCI or RCD tripped.</p> <p>C. Wiring harness from user keypad to control is loose, disconnected or damaged.</p> <p>D. User keypad does not work.</p> <p>E. Control does not work.</p>	<p>A. Check wiring and connect power.</p> <p>B. Reset GFCI or RCD.</p> <p>C. Check wiring for proper connections. Replace wiring harness if necessary.</p> <p>D. Replace user keypad.</p> <p>E. Replace control.</p>
2. Motor starts, but all jets are not functioning.	<p>A. Jet is closed.</p> <p>B. Jet not installed correctly.</p> <p>C. Jets are blocked.</p>	<p>A. Rotate jet trim counterclockwise to open.</p> <p>B. Reinstall jet; check for O-ring damage.</p> <p>C. Remove blockage.</p>
3. User keypad is illuminated, but does not respond to icons or outer ring.	<p>A. Control program is locked.</p> <p>B. Wiring harness from user keypad to control is loose, disconnected or damaged.</p> <p>C. User keypad does not work.</p> <p>D. Control does not work.</p>	<p>A. Reset GFCI or RCD.</p> <p>B. Check wiring for proper connections. Replace wiring harness if necessary.</p> <p>C. Replace user keypad.</p> <p>D. Replace control.</p>
4. User keypad indicator bar keeps scanning at power-up.	<p>A. Control program is locked.</p> <p>B. Wiring harness from user keypad to control is loose, disconnected or damaged.</p> <p>C. User keypad does not work.</p> <p>D. Control does not work.</p>	<p>A. Reset GFCI or RCD.</p> <p>B. Check wiring for proper connections. Replace wiring harness if necessary.</p> <p>C. Replace user keypad.</p> <p>D. Replace control.</p>
5. User keypad is illuminated, but pump won't start.	<p>A. Power cord from pump to control is loose, disconnected or damaged.</p> <p>B. Pump does not work.</p> <p>C. Control does not work.</p>	<p>A. Check wiring for proper connections.</p> <p>B. Replace pump.</p> <p>C. Replace control.</p>
6. Motor runs but pump won't prime (cavitates).	<p>A. Pump is shimmed too high.</p> <p>B. Small air leak at pump inlet.</p> <p>C. Motor/pump does not work.</p> <p>D. Control does not work.</p>	<p>A. Lower pump/control to subfloor level.</p> <p>B. Securely tighten nut(s) on intake side of pump.</p> <p>C. Replace motor/pump.</p> <p>D. Replace control.</p>
7. Pump stops before 18 minutes.	<p>A. GFCI or RCD tripped.</p> <p>B. Suction is blocked.</p> <p>C. Jets are blocked.</p> <p>D. Motor overheated and protection device activated.</p>	<p>A. Identify source of fault, and correct. Reset GFCI or RCD.</p> <p>B. Remove obstruction.</p> <p>C. Remove blockage.</p> <p>D. Check for blockage at suction and/or jets. Remove blockage and allow motor to cool.</p>

## Troubleshooting (cont.)

### Whirlpool System

Symptoms	Probable Causes	Recommended Action
8. Pump does not automatically stop after 22 minutes.	A. 20-minute timer inadvertently disabled.	A. See Service Manual.
9. Pump won't turn off when the Power icon on user keypad is pressed.	A. User keypad does not work.	A. Replace user keypad.
	B. Control does not work.	B. Replace control.
10. Pump operates but variable speed feature does not work.	A. Motor/pump does not work.	A. Replace motor/pump.
	B. Control does not work.	B. Replace control.
11. Bath water cools while pump is operating.	A. Water temperature above 104°F (40°C).	A. Allow bath water to cool.
	B. Heater has turned off either manually or automatically.	B. Turn heater on.
	C. Wiring from heater to control is loose, disconnected or damaged.	C. Check wiring for proper connections.
	D. Heater does not work.	D. Replace heater.
	E. Control does not work.	E. Replace control.
12. Noisy operation.	A. Pump banding straps have not been cut.	A. Cut pump banding straps with tin snips.
	B. Dry or dislodged jet O-ring (squeal).	B. Remove jet, replace and lubricate O-ring, and reinstall jet.

### Air System

Symptoms	Probable Causes	Recommended Action
1. User keypad does not illuminate when Power icon is pressed or the outer ring is rotated.	A. No power to control.	A. Check wiring and connect power.
	B. Ground-Fault Circuit-Interrupter (GFCI) or Residual Current Device (RCD) tripped.	B. Reset GFCI or RCD. If it trips again, refer to "Ground-Fault Circuit-Interrupter (GFCI) or Residual Current Device (RCD) trips when bath is turned on."
	C. Wiring harness from user keypad to control is loose, disconnected or damaged.	C. Check wiring for proper connections. Replace the wiring harness if necessary.
	D. User keypad does not work.	D. Replace the user keypad.
	E. Control does not work.	E. Replace the control.
2. Ground-Fault Circuit-Interrupter (GFCI) or Residual Current Device (RCD) trips when bath is turned on.	A. Electrical harness is wet or damaged.	A. Check for wet connections. Dry the connections and repair the leak. Check for insulation or connector damage. Replace the harness if damaged.
	B. Electrical wiring to the bath junction box is wet or damaged; or the power amperage is inadequate.	B. Have a qualified electrician diagnose and correct the problem in accordance with applicable building and electrical codes; or increase the power amperage to 20 A.
	C. Electrical wiring to the bath power cord is wet or damaged.	C. Have a qualified electrician diagnose and correct the problem in accordance with applicable building and electrical codes.
	D. Blower motor is shorted internally.	D. Replace the blower motor.

## Troubleshooting (cont.)

### Air System

Symptoms	Probable Causes	Recommended Action
	E. Control is shorted internally.	E. Replace the control.
3. User keypad is illuminated, but does not respond to icons or outer ring.	A. Control program is locked.	A. Reset GFCI or RCD.
	B. P5 plug assembly harness from user keypad to control is loose, disconnected, or damaged.	B. Check wiring for proper connections. Replace the wiring harness if necessary.
	C. User keypad does not work.	C. Replace the user keypad.
	D. Control does not work.	D. Replace the control.
4. Blower motor will not start.	A. Power cord from blower motor to control is loose, disconnected, or damaged.	A. Check wiring for proper connections.
	B. Blower motor does not work.	B. Replace the blower motor.
	C. Control does not work.	C. Replace the control.
5. Blower motor stops running and will not immediately restart. Keypad is illuminated.	A. Blower motor overheated and protection device activated.	A. Check for blockage at air inlet. Remove blockage and allow motor to cool. Refer to "User keypad is illuminated, but does not respond to icons or outer ring." and "Blower motor will not start."
6. Blower motor starts, some but not all airjets are bubbling.	A. Blower motor speed is too low.	A. Increase speed set point to blower motor.
	B. Blower air inlet is blocked.	B. Clear blower air inlet.
	C. Blower motor does not work.	C. Replace the blower motor.
	D. Blower motor discharge is blocked.	D. Clear blockage.
	E. Airjets are clogged.	E. Use a small between-the-teeth dental brush and white vinegar. Dip the brush in the vinegar, brush the hole, rinse the brush in clean water, and then use the wet rinsed brush to rinse the hole.
	F. Some zones are closed.	F. Operate all zones.
7. Blower motor runs but no air bubbles are formed.	A. Blower air inlet is blocked.	A. Clean blower air inlet.
	B. Airjets are clogged.	B. Use a small between-the-teeth dental brush and white vinegar. Dip the brush in the vinegar, brush the hole, rinse the brush in clean water, and then use the wet rinsed brush to rinse the hole.
	C. Blower motor does not work.	C. Replace the blower motor.
	D. Control does not work.	D. Replace the control.
8. Blower motor operates, air bubbles are formed, zone controls work, but variable speed feature does not work.	A. Blower air inlet is blocked.	A. Clear blower air inlet.
	B. Loose, disconnected, or damaged wiring harness.	B. Check wiring for proper connections. Replace the wiring harness if necessary.
	C. User keypad does not work.	C. Replace the user keypad.
	D. Blower motor does not work.	D. Replace the blower motor.
	E. Control does not work.	E. Replace the control.
9. Blower motor won't turn off when the Power icon on user keypad is pressed.	A. User keypad does not work.	A. Replace the user keypad.
	B. Loose, disconnected, or damaged wiring harness.	B. Check wiring for proper connections. Replace the wiring harness if necessary.
	C. Control does not work.	C. Replace the control.



## Troubleshooting (cont.)

### Air System

Symptoms	Probable Causes	Recommended Action
10. A zone does not produce air bubbles but another zone operates normally.	A. Zone is not selected.	A. Select the zone according to the instructions in the "Operating Instructions" section.
	B. Butterfly valve does not work.	B. Replace the butterfly valve.
	C. Loose, disconnected, or damaged wiring harness.	C. Check wiring for proper connections. Replace the wiring harness if necessary.
	D. User keypad does not work.	D. Replace the user keypad.
	E. Control does not work.	E. Replace the control.
11. Surge mode does not work.	A. User keypad does not work.	A. Replace the user keypad.
	B. Control does not work.	B. Replace the control.
12. Water spillage or damage observed under the bath.	A. Drain or overflow leaking.	A. Repair or replace the drain assembly according to the manufacturer's instructions.
	B. Wall, deck, and/or shower door is improperly sealed.	B. Apply silicone sealant at the seams between the bath and the wall, deck, or door.
	C. Cracked piping or air channels.	C. Contact Kohler Co. using the information on the back page.
13. Bath does not purge automatically.	A. Level sensor wires are disconnected.	A. Connect the level sensor wires.

## Warranty

### ONE-YEAR LIMITED WARRANTY

KOHLER plumbing products are warranted to be free of defects in material and workmanship for one year from date of installation.

Kohler Co. will, at its election, repair, replace or make appropriate adjustment where Kohler Co. inspection discloses any such defects occurring in normal usage within one (1) year after installation. Kohler Co. is not responsible for removal or installation costs. **Use of in-tank toilet cleaners will void the warranty.**

To obtain warranty service contact Kohler Co. either through your Dealer, Plumbing Contractor, Home Center or E-tailer, or by writing Kohler Co., Attn.: Customer Care Center, 444 Highland Drive, Kohler, WI 53044, USA, or by calling 1-800-4-KOHLER (1-800-456-4537) from within the USA and Canada, and 001-800-456-4537 from within Mexico, or visit [www.kohler.com](http://www.kohler.com) within the USA, [www.ca.kohler.com](http://www.ca.kohler.com) from within Canada, or [www.mx.kohler.com](http://www.mx.kohler.com) in Mexico.

**IMPLIED WARRANTIES INCLUDING THAT OF MERCHANTABILITY AND FITNESS FOR A PARTICULAR PURPOSE ARE EXPRESSLY LIMITED IN DURATION TO THE DURATION OF THIS WARRANTY. KOHLER CO. AND/OR SELLER DISCLAIM ANY LIABILITY FOR SPECIAL, INCIDENTAL OR CONSEQUENTIAL DAMAGES.** Some states/provinces do not allow limitations on how long an implied warranty lasts, or the exclusion or limitation of special, incidental or consequential damages, so these limitations and exclusions may not apply to you. This warranty gives you specific legal rights. You may also have other rights which vary from state/province to state/province.

**This is Kohler Co.'s exclusive written warranty.**

## Warranty

### For Mexico

KOHLER CO.

It is recommended that at the time of purchase, you verify that all accessories and components are complete in this package.

This Kohler product is warranted to be free of defects in material and workmanship for one (1) year from the date of purchase as shown on the invoice or receipt.

1. Kohler Co. will only service its commercialized products through its authorized distributors.
2. To obtain warranty service, please present the invoice and corresponding warranty.
3. Through its authorized distributors, Kohler Co. promises to repair the defective product or provide a new replacement or an equivalent model (in those cases that the model has been discontinued) when the product is beyond repair, without any charge to the consumer.
4. The time of repair will not exceed six (6) weeks commencing on the date the product is received.
5. It is recommended that the consumer save the invoice or receipt as additional protection, as it may substitute the warranty in the case that there is a discrepancy in the validity of the warranty.

#### EXCEPTIONS AND RESTRICTIONS

The Warranty will not be valid in the following cases:

1. When the product is not operated in accordance with the instructions concerning use and operation set forth in the owner's manual or installation instructions, and when the recommendations and warnings included are not observed.
2. When the product has been modified or dismantled partially or totally; or has been used in a negligent fashion and as a consequence has suffered damages attributable to the consumer, individual, or hardware not authorized by Kohler Co.
3. This warranty does not cover the damages as a result of disaster such as fire or acts of God, including flooding, earthquake, or electric storms, etc. To obtain a list of distributors in your area where you can exercise your rights under this warranty, please call 001-800-456-4537.

KOHLER CO., KOHLER, WI 53044 U.S.A.

#### IMPORTER:

COMERCIALIZADORA INTERCERAMIC, S.A. DE C.V.

AV. CARLOS PACHECO NO. 7200, COL. MADERA 65

CHIHUAHUA, CHIH., MEXICO C.P. 31060

R.F.C. CIN141022IE9

TEL: 52 (614) 429-11-11

#### IMPORTER:

GAMA MATERIALES Y ACEROS, S.A. DE C.V.

AVE LOS ANGELES NO. 1800

COL VALLE DEL NOGALAR, SAN NICOLAS DE LOS GARZA

N.L. MEXICO

R.F.C. GMA901220U11

TEL: 81-1160-5500

# Guide d'installation et d'entretien

## Baignoire à hydromassage avec jets d'air

### Installation personnalisée

## Instructions d'installation



**AVERTISSEMENT:** Lors de l'utilisation de produits électriques, toujours observer les précautions de base, notamment:



**AVERTISSEMENT:** Risque de choc électrique. Raccorder uniquement à un circuit protégé par un disjoncteur de fuite de terre (GFCI)\*.

Les matériaux de construction et le câblage doivent être acheminés loin de la pompe à hydromassage, du moteur du souffleur et d'autres composants de l'appareil qui dégagent de la chaleur.

Installer de façon à permettre un accès pour l'entretien.

Un connecteur à pression pour câbles marqué "Earth/Ground" (Terre/Masse) est fourni dans le compartiment de câblage. Afin de réduire les risques de choc électrique, raccorder ce connecteur à une borne de terre du panneau de service électrique ou du panneau d'alimentation avec un câble en cuivre ayant la même dimension que le conducteur du circuit qui alimente cet équipement.

Des connecteurs à pression par câble sont fournis sur l'extérieur de la boîte de jonction ou de la commande incluse dans cet appareil afin de permettre la connexion d'un conducteur de mise à la terre entre cet appareil et toutes les autres surfaces de métal avoisinantes, tel que requis par les normes locales.

Une borne de mise à la terre est incluse dans le boîtier du câblage sur place. Pour réduire les risques de choc électrique, cette borne doit être raccordée à un dispositif de mise à la terre fourni dans le panneau d'alimentation électrique, avec un conducteur ayant le même calibre que celui des conducteurs du circuit qui alimente cet équipement.

**Une mise à la terre est requise.** L'appareil doit être installé par un représentant qualifié et doit être mis à la terre.



**AVERTISSEMENT:** Risque de blessures ou d'endommagement du matériel. Lire toutes les instructions avec attention avant de commencer l'installation.



**AVERTISSEMENT:** Risque de choc électrique. Un électricien qualifié doit effectuer toutes les connexions électriques.



**AVERTISSEMENT:** Risque de choc électrique. Déconnecter l'alimentation électrique avant d'effectuer un entretien.

**AVIS:** Respecter tous les codes de plomberie et électriques locaux. Installer cet appareil conformément au Code canadien de l'électricité, Partie 1.

\* Hors de l'Amérique du Nord, ce dispositif peut être connu sous le nom de dispositif à courant résiduel (RCD).

## Information sur le produit

### Installations électriques requises

L'installation doit comprendre un disjoncteur de fuite de terre (GFCI) ou un dispositif à courant résiduel (RCD) de classe A. Le GFCI ou le RCD protège contre les dangers d'électrocution par une tension phase-terre. **Utiliser une alimentation dédiée de 220 - 240 V, 20 A, 50/60 Hz pour la baignoire.**

## Information sur le produit (cont.)

### Notices du produit



**AVERTISSEMENT: Des modifications non approuvées pourraient provoquer un fonctionnement dangereux et une mauvaise performance de la baignoire.** Ne pas déplacer la pompe à hydromassage ou le moteur du souffleur, et ne pas effectuer d'autres modifications sur le système de la baignoire, étant donné que cela pourrait affecter les performances et le fonctionnement sans danger du produit. Kohler Co. décline toute responsabilité sous sa garantie et pour toutes blessures ou tous dommages causés par de telles modifications non autorisées.

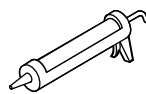
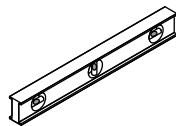
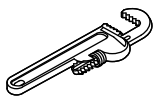
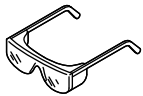
**AVIS:** Une installation personnalisée est nécessaire pour les modèles à encastrer par le dessus et les modèles à bride.

**AVIS:** Maintenir l'espace autour du moteur du souffleur propre et exempt de sciure, de matériau isolant, de saleté, ou d'autres petits débris volatiles. De tels matériaux pourraient boucher l'orifice d'entrée du moteur du souffleur et réduire le débit d'air à travers le souffleur.

### Caractéristiques

Les composants assemblés à l'usine incluent une pompe avec commande, un moteur de souffleur avec commande, des jets à hydromassage, un chauffe-eau, un faisceau d'air, des vannes papillon, des faisceaux électriques, un clavier lumineux pour commander les fonctions d'hydromassage, et un clavier lumineux pour commander les fonctions des jets d'air. Aucun montage n'est nécessaire, sauf celui des connexions de câblage électrique et des raccords de la plomberie.

### Outils et matériel



Plus:

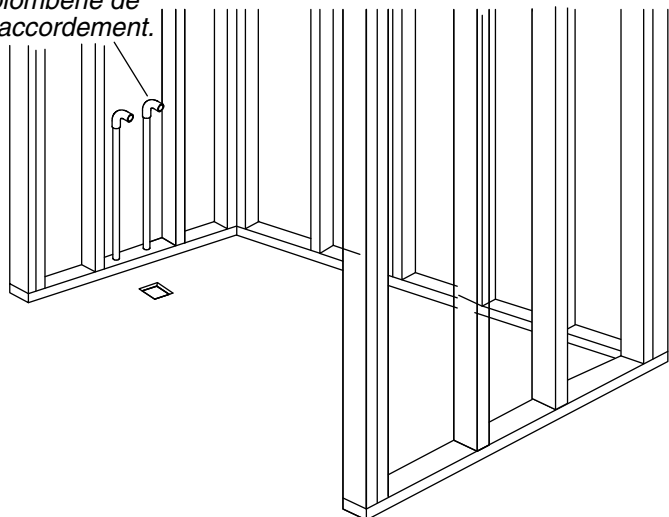
- Matériaux et outils à bois classiques
- Toile de protection
- Colle mastic (optionnelle)
- Ciment\* ou mortier (optionnel)
- Des 2x4

*\* Ne pas utiliser de plâtre dur.*

Mastic à la silicone à 100%

### Installation personnalisée en alcôve (modèles à bride uniquement)

Positionner la  
plomberie de  
raccordement.

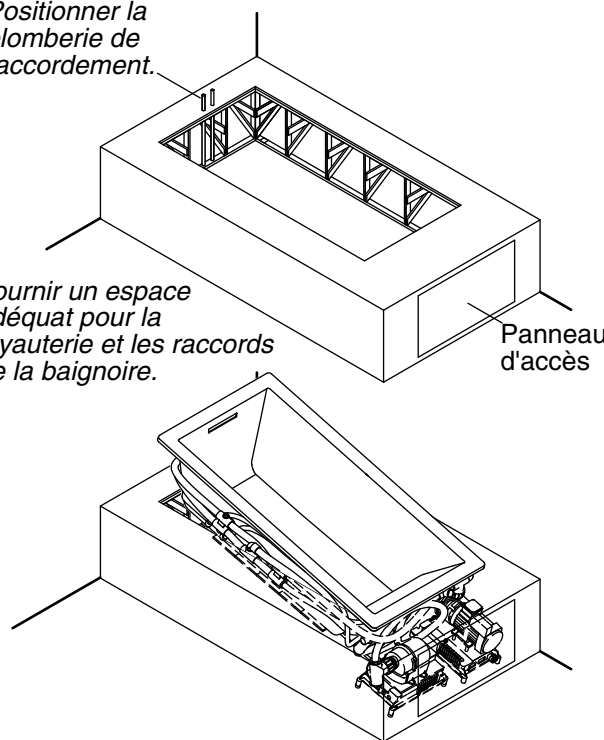


### Installation à encastrer par le dessus

Positionner la  
plomberie de  
raccordement.

Fournir un espace  
adéquat pour la  
tuyauterie et les raccords  
de la baignoire.

Panneau  
d'accès



## 1. Préparer le site

**AVIS:** Mesurer le produit pour la préparation du site. Noter le **numéro de modèle** se trouvant sur le côté pompe/souffleur de la baignoire, puis visiter la page des produits sur le site [www.kohler.com](http://www.kohler.com) pour obtenir de l'information supplémentaire.

**AVIS:** Une installation personnalisée est nécessaire pour les modèles à encastrer par le dessus et les modèles à bride.

**AVIS:** Les modèles à encastrer par le dessus ne sont **pas** destinés à être installés en alcôve. Utiliser un modèle à bride pour les emplacements avec alcôve.

**AVIS:** Fournir une ventilation adéquate et un minimum de 15 pieds cube (0,4 mètre cube) d'espace d'air à l'endroit d'installation pour le refroidissement du moteur et pour fournir assez d'air au souffleur. Ne pas installer le moteur du souffleur à une distance plus proche de 1" (25 mm) du mur ou d'autres objets.

**AVIS:** Fournir un large espace non restreint pour pouvoir accéder à la pompe et au souffleur. Un accès doit être possible juste à côté de la pompe, du souffleur et des commandes pour permettre les entretiens.

**AVIS:** Ne pas supporter le poids de charge de la baignoire par le rebord.

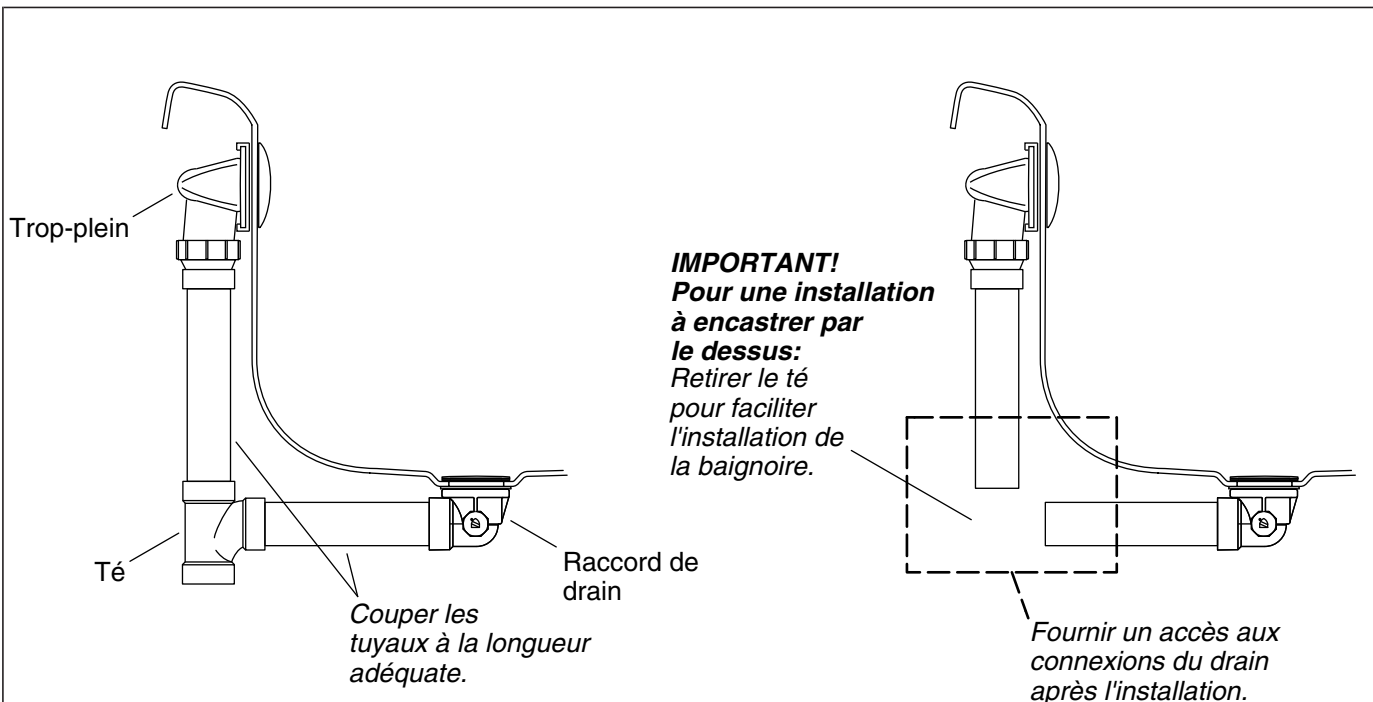
**REMARQUE:** Une installation en alcôve, à encastrer par le dessous ou à encastrer par le dessus est possible, selon le produit choisi.

**REMARQUE:** Pour les installations à encastrer par le dessous, un kit d'encastrement par le dessous est nécessaire.

## Préparer le site (cont.)

**IMPORTANT!** La pompe et le souffleur de la baignoire peuvent se prolonger au-delà du rebord de la baignoire. Mesurer le produit et fournir un espace adéquat pour la pompe et le souffleur dans les limites de la cavité de l'ossature. Déterminer la distance à laquelle la pompe et le souffleur se prolongent au-delà du rebord de la baignoire et construire l'ossature en conséquence.

- S'assurer que le plancher offre un support adéquat pour la baignoire et vérifier que le sous-plancher est plat et de niveau.
- Construire une ossature 2x4, en tenant compte du fait que le souffleur et la pompe se prolongent au-delà du rebord de la baignoire.
- Installer un panneau d'accès sur le côté pompe/souffleur de la baignoire pour permettre les entretiens. Le panneau d'accès doit être assez grand pour fournir un accès à la pompe et au souffleur. Se référer à la fiche de spécifications du produit pour la taille minimum requise pour le panneau d'accès du modèle de baignoire en question.
- Installer la tuyauterie de raccordement.



## 2. Préparer la baignoire

**AVIS:** Ne pas soulever la baignoire par la tuyauterie, la pompe ou le souffleur, et ne pas utiliser ces composants comme support structurel de la baignoire. Afin d'éviter d'endommager la baignoire, soulever sur les côtés de celle-ci.

**IMPORTANT!** Fournir un accès aux connexions du drain après l'installation de la baignoire.

**IMPORTANT!** Ne pas reposer la baignoire sur le raccord du drain pendant qu'il est connecté à la baignoire.

**IMPORTANT! Modèles à encastrer par le dessus:** Ne pas installer complètement l'ensemble du drain avant d'installer la baignoire. La baignoire ne peut pas être installée si tous les composants du drain y sont attachés.

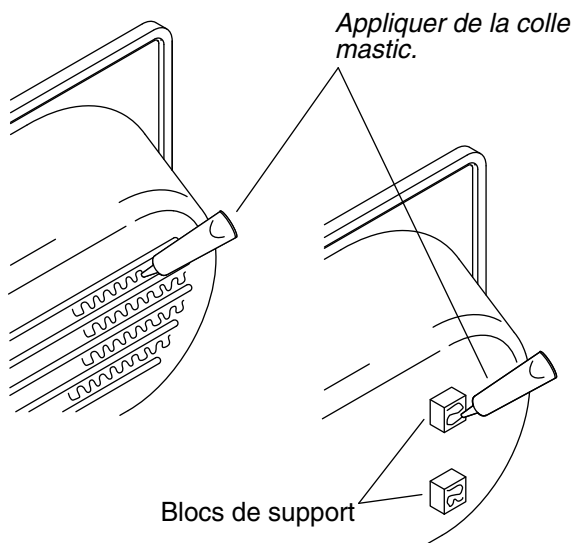
### Installation à encastrer par le dessus

- Assembler le trop-plein à fentes et le raccord du drain sur la baignoire.
- Couper le tuyau du trop-plein et purger le tuyau d'évacuation aux longueurs appropriées et assembler le té du drain à sec, pour vérifier qu'il s'adapte.
- Retirer le té du drain pour fournir une flexibilité lors de l'installation de la baignoire.
- Protéger la surface de la baignoire en plaçant une toile de protection propre dans le bas.

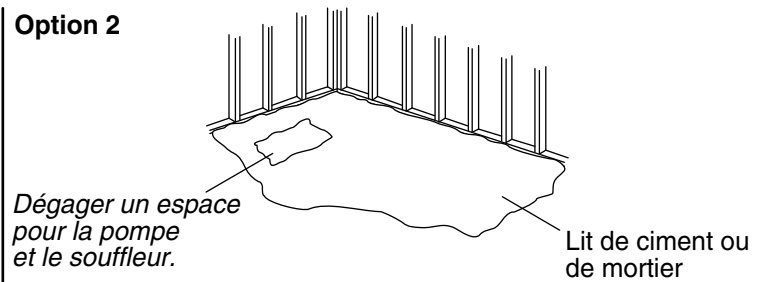
### Installation en alcôve

- Installer complètement le drain sur la baignoire en suivant les instructions incluses avec celui-ci.
- Protéger la surface de la baignoire en plaçant une toile de protection propre dans le bas.

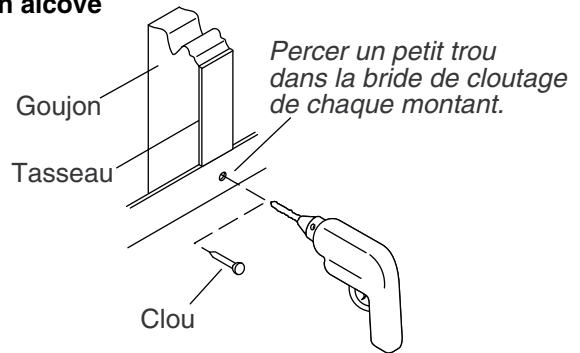
### Option 1



### Option 2



### Installations en alcôve



## 3. Installer la baignoire

**AVIS:** Ne pas soulever la baignoire par la tuyauterie, la pompe ou le souffleur, et ne pas utiliser ces composants comme support structurel de la baignoire. Afin d'éviter d'endommager la baignoire, soulever sur les côtés de celle-ci.

- Si le sous-plancher n'est pas de niveau, placer des blocs de support sous la baignoire, selon les besoins.
- **Option 1: Colle mastic:** Appliquer une quantité suffisante de colle mastic de bonne qualité sur la base des blocs de support.
- **Option 2: Lit de ciment ou de mortier:** Appliquer un lit de mortier de 1" (25 mm) à 2" (51 mm) dans la zone d'installation. Ne pas utiliser de plâtre dur ou un mélange pour cloison sèche, car ces produits ne fournissent pas de scellement acceptable et durable.

**IMPORTANT!** Procéder avec soin afin de ne pas pincer ou écraser la tubulure flexible lorsque la baignoire est mise en position.

- Avec de l'aide, lever la baignoire avec précaution et la positionner. Basculer le côté pompe/souffleur de la baignoire pour le mettre en place en premier. Éloigner la tubulure flexible de tous les points de pincement.

### Installation à encastrer par le dessus

- Installer le té du drain et l'about. Sécuriser l'about dans le siphon.
- Installer la vanne de robinet.
- Rechercher des fuites dans les connexions du drain.

### Installation en alcôve

- Percer un petit trou-pilote à travers la bride de cloutage de chaque montant. Utiliser des cales selon les besoins.
- Utiliser des clous galvanisés à grande tête pour fixer la bride de cloutage sur les montants.
- Clouer des tasseaux de 1/4" (6 mm) d'épaisseur sur les montants.
- Insérer l'about du drain dans le siphon. Fixer l'about du drain sur le siphon.

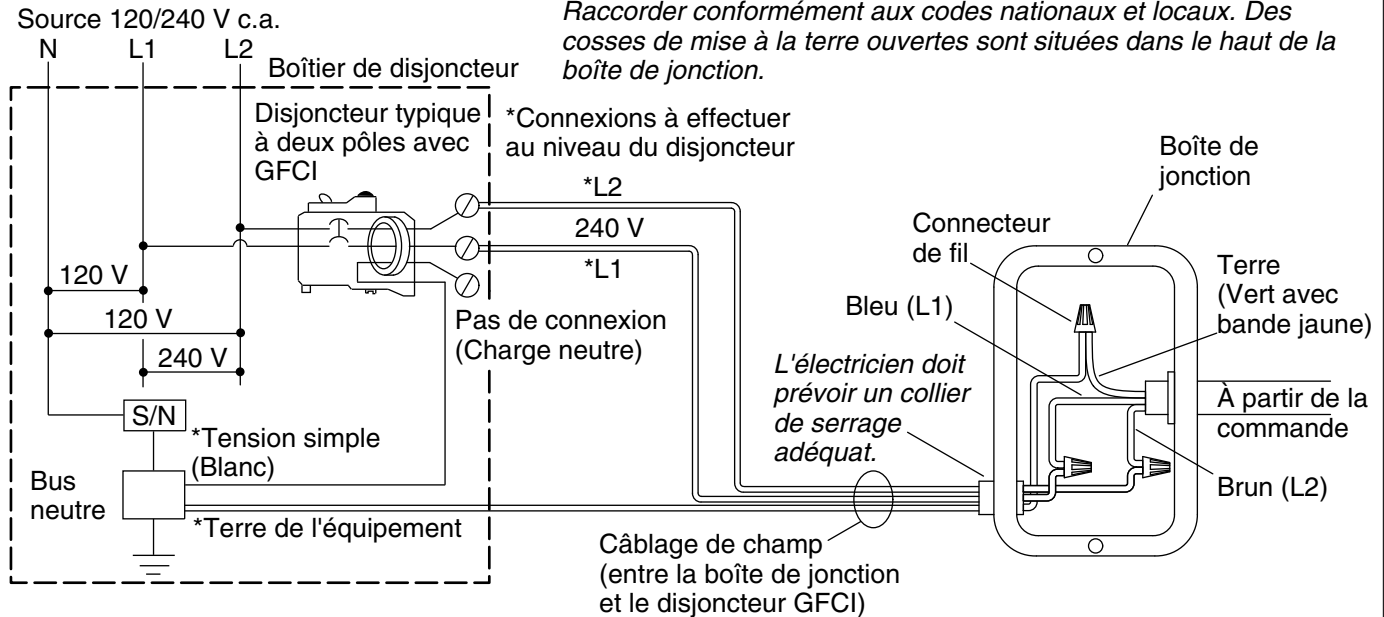


### **Installer la baignoire (cont.)**

- Installer la vanne de robinet.
- Rechercher des fuites dans les connexions du drain.

### Connexion de câblage typique pour l'Amérique du Nord

Raccorder conformément aux codes nationaux et locaux. Des cosses de mise à la terre ouvertes sont situées dans le haut de la boîte de jonction.



## 4. Effectuer les connexions électriques

**REMARQUE:** Le régime électrique nominal du produit est imprimé sur une étiquette placée sur le côté pompe/souffleur de la baignoire. Toutes les baignoires sont conçues pour fonctionner entre 220 V et 240 V à 50 ou 60 Hz.

**REMARQUE:** La commande de la pompe à hydromassage et celle du moteur du souffleur sont fournies avec une boîte de jonction de câblage.



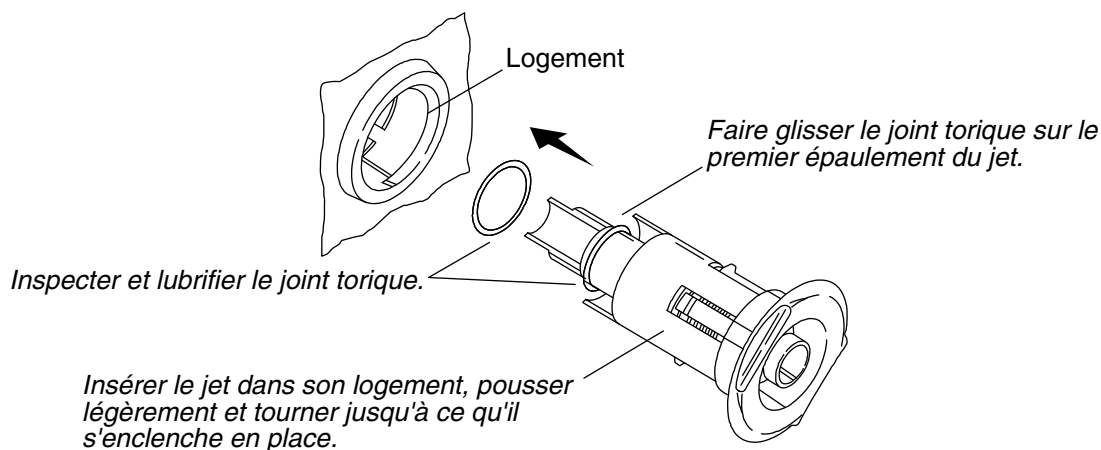
**AVERTISSEMENT: Risque de choc électrique.** Débrancher l'alimentation électrique avant d'effectuer les procédures suivantes.



**AVERTISSEMENT: Risque de choc électrique.** Connecter la pompe et le souffleur à un disjoncteur de fuite de terre (GFCI) ou à un dispositif à courant résiduel (RCD) mis à la terre de manière adéquate afin de la protéger contre un danger de choc de tension phase-terre. Un circuit dédié unique de 220-240 V, 20 A, 50/60 Hz est nécessaire.

**IMPORTANT!** Il ne devrait pas y avoir de connexion à la borne de **charge neutre** sur le disjoncteur GFCI. Le fil vert avec la bande jaune est la **terre de l'équipement** et doit être connecté sur le bus neutre dans la boîte du disjoncteur principal.

- Suivre tous les codes électriques locaux. Raccorder conformément aux codes nationaux et locaux.
- Raccorder le service électrique aux deux boîtes de jonction. Chaque boîte de jonction contient trois fils: bleu, brun et vert à rayure jaune.
- S'assurer que la terre de l'équipement (fil vert avec une rayure jaune) est raccordée au bus neutre dans la boîte du disjoncteur principal.



## 5. Terminer l'installation

### Installer le kit de garniture

- Installer le couvercle d'aspiration et les jets selon les instructions accompagnant le kit de garniture.

### Effectuer un essai de fonctionnement de la baignoire

- Remplir la baignoire à au moins 2" (51 mm) au-dessus du dessus du jet à hydromassage le plus élevé.
- Arrêter la baignoire et laisser reposer pendant cinq minutes. Inspecter toutes les connexions de la tuyauterie de la baignoire pour y déceler des fuites éventuelles. Rechercher des fuites le long de l'avant et des côtés de la baignoire, et à l'arrière de celle-ci.
- Mettre le souffleur en marche et le laisser en marche pendant 5 minutes. Vérifier le bon fonctionnement.
- Pour obtenir de l'information supplémentaire sur le fonctionnement de la baignoire, se reporter aux sections "Utilisation du système à hydromassage" et "Utilisation du système d'air".

### Finir l'installation

- Installer le panneau mural hydrorésistant, ainsi que tous les matériaux du mur fini, de la plate-forme, et du plancher. Fournir un espace de 1/16" (2 mm) entre le rebord de la baignoire et le matériau fini.
- Appliquer un mastic à la silicone pour sceller toutes les zones où la baignoire et le mur fini ou la plate-forme entrent en contact.
- Installer la garniture de robinet.

### Nettoyer après l'installation

- Lors du nettoyage après l'installation, **ne pas utiliser de nettoyeurs abrasifs**, vu que ceux-ci risqueraient de rayer et d'abîmer la surface de la baignoire. Utiliser de l'eau chaude et un détergent liquide pour nettoyer la surface de la baignoire.
- Enlever les taches résistantes ou la peinture avec de l'essence de térébenthine ou un diluant pour peinture. **Ne pas laisser de nettoyeurs à base de distillats de pétrole rester en contact avec les surfaces de la baignoire pendant une longue période.** Retirer les résidus de plâtre en raclant avec précaution avec un bord en bois. Ne pas utiliser de grattoirs en métal, de brosses métalliques ou d'autres outils en métal. Utiliser un détergent en poudre sur un chiffon humide pour fournir une action abrasive légère sur les résidus de plâtre.

# Instructions Importantes sur la sécurité

## LIRE ET SUIVRE TOUTES LES INSTRUCTIONS

### CONSERVER CES INSTRUCTIONS

#### INSTRUCTIONS RELATIVES AUX RISQUES D'INCENDIE, D'ÉLECTROCUTION OU DE BLESSURES CORPORELLES



**AVERTISSEMENT:** Lors de l'utilisation de produits électriques, toujours observer les précautions de base, notamment:



**DANGER:** Risque de blessures ou de noyade accidentelles Afin de réduire les risques de blessures, ne jamais permettre à un enfant d'utiliser cet appareil sans surveillance étroite, en tout temps.



**AVERTISSEMENT:** Risque de blessures. Pour éviter les blessures corporelles, entrer et sortir avec précaution de la baignoire.



**AVERTISSEMENT:** Risque de choc électrique. Ne pas amener les appareils électriques (tels que des sèche-cheveux, des lampes, des téléphones, des radios ou des télévisions) dans un rayon de 5' (1,5 m) de cette baignoire.



**AVERTISSEMENT:** La consommation d'alcool, de drogues ou de médicaments peut augmenter considérablement le risque fatal d'hyperthermie. Une immersion prolongée dans l'eau chaude peut provoquer une hyperthermie. Une hyperthermie a lieu lorsque la température corporelle interne atteint un niveau dépassant de plusieurs degrés la température corporelle normale de 98,6°F (37°C). Les symptômes d'hyperthermie comprennent une hausse de la température corporelle interne, les étourdissements, une léthargie, une somnolence et les évanouissements. Les effets de l'hyperthermie comprennent: (a) défaut de percevoir la chaleur, (b) défaut de s'apercevoir du besoin de sortir de la baignoire, (c) incapacité de reconnaître le danger imminent, (d) lésions au fœtus dans le cas des femmes enceintes, (e) incapacité physique de sortir de la baignoire et (f) inconscience et danger consécutif de noyade.



**AVERTISSEMENT:** Risque de préjudice corporel au fœtus. Les femmes enceintes ou qui pourraient être enceintes doivent consulter un médecin avant d'utiliser la baignoire.



**AVERTISSEMENT:** Risque d'hyperthermie ou de noyade. Ne pas utiliser la baignoire immédiatement après des exercices physiques rigoureux.



**AVERTISSEMENT:** Risque d'hyperthermie ou de noyade. Une température d'eau supérieure à 100°F (38°C) peut causer des traumatismes. Vérifier et régler la température de l'eau avant utilisation.



**AVERTISSEMENT:** Risque de blessures. Ne jamais faire tomber ou insérer un objet quelconque dans les ouvertures.

Utiliser cette baignoire uniquement aux fins décrites dans ce guide. Ne pas utiliser de dispositifs d'attache non recommandés par Kohler Co.

La baignoire doit être raccordée uniquement à un circuit d'alimentation qui est protégé par un disjoncteur de fuite de terre (GFCI)\*. L'installateur doit fournir un disjoncteur de fuite de terre de ce type et celui-ci doit être inspecté régulièrement. Pour inspecter le disjoncteur de fuite de terre, appuyer sur le bouton d'essai. Le disjoncteur de fuite de terre doit couper le courant. Appuyer sur le bouton de réinitialisation. L'alimentation devrait avoir été restaurée. Si le disjoncteur de fuite de terre ne fonctionne pas de cette manière, le disjoncteur est défectueux. Si le disjoncteur de fuite de terre interrompt l'alimentation de courant vers la baignoire sans que l'on ait appuyé sur le bouton d'essai, ceci indique qu'un courant à la terre est en train de circuler, et, par conséquent, la possibilité d'un choc électrique. Ne pas utiliser cette baignoire. Débrancher la baignoire et demander à un technicien qualifié de résoudre le problème avant d'utiliser celle-ci.

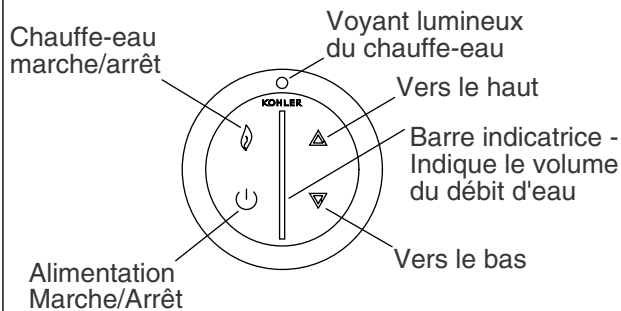
### **Instructions Importantes sur la sécurité (cont.)**

Purger le système de la baignoire à hydromassage deux fois par mois ou plus souvent selon la fréquence d'usage, tel que décrit dans la section "Purger le système" de ce guide.

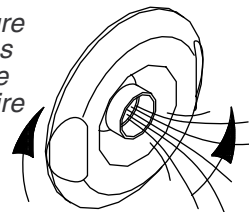
L'utilisation répétée de produits d'hygiène et de beauté contenant des huiles peut endommager les composants en plastique de la baignoire à hydromassage. Éviter d'utiliser des huiles de bain.

L'action de massage de la baignoire à hydromassage peut considérablement faire mousser les produits de bain moussant, le savon, les shampoings, ou les huiles pour le bain, même de petite quantité. Pour cette raison, veiller à ne pas utiliser ces produits pendant le fonctionnement de la baignoire à hydromassage.

\* Hors de l'Amérique du Nord, ce dispositif peut être connu sous le nom de dispositif à courant résiduel (RCD).



*Tourner la garniture du jet dans le sens des aiguilles d'une montre pour réduire le débit.*



*Tourner la garniture du jet dans le sens contraire des aiguilles d'une montre pour augmenter le débit.*

## Utilisation du système d'hydromassage

**REMARQUE:** Cette baignoire est une baignoire à hydromassage combinée avec des jets d'air. Pour obtenir de l'information sur l'utilisation des fonctions avec air, se reporter à la section "Fonctionnement du système d'air".

**REMARQUE:** Un chauffe-eau intégré aide à maintenir la température de l'eau pendant que la fonction d'hydromassage est en marche. Si la température dépasse 104°F (40°C), le chauffe-eau s'arrête.

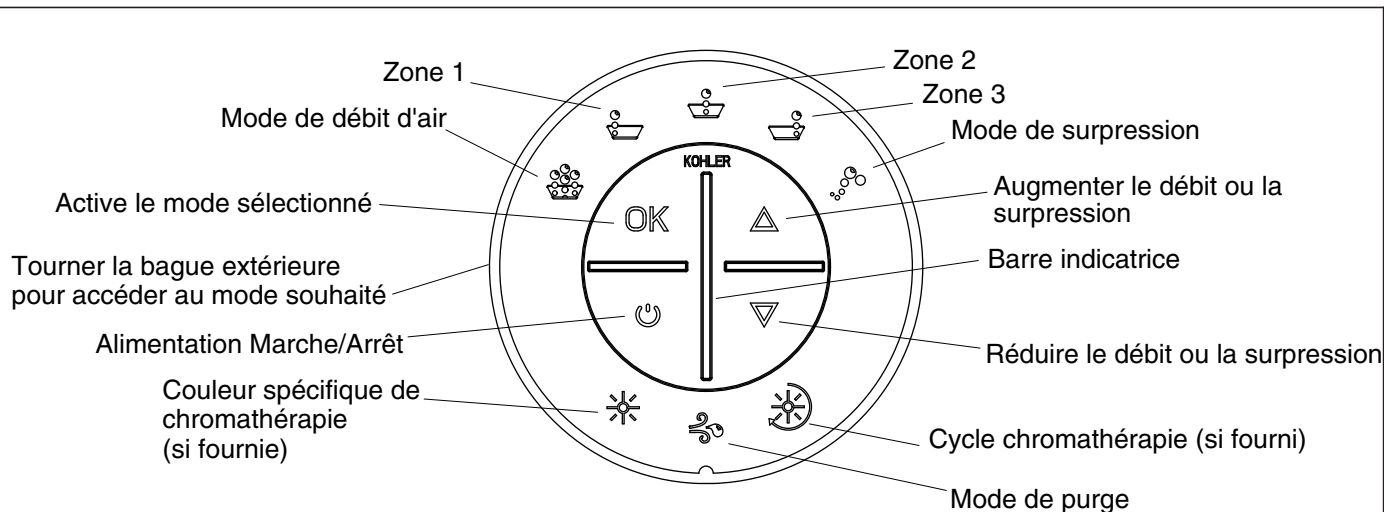
### Marche/arrêt des jets d'hydromassage

- Positionner les buses des jets vers le bas et tourner les anneaux de garniture des jets entièrement dans le sens antihoraire.
- Remplir la baignoire jusqu'à 2" (51 mm) au moins au-dessus des jets d'hydromassage les plus élevés.
- Utiliser la main pour tester la température de l'eau avant d'entrer dans la baignoire.
- Appuyer sur l'icône Marche/Arrêt pour mettre la baignoire à hydromassage en marche. La baignoire à hydromassage commence à un débit moyen, et le chauffe-eau se met en marche automatiquement.
- Appuyer une deuxième fois sur l'icône Marche/Arrêt pour arrêter la baignoire à hydromassage.

**REMARQUE:** Un minuteur intégré arrête automatiquement la pompe et le moteur après environ 20 minutes de fonctionnement.

### Régler la température et le débit de l'eau

- Régler le débit de l'eau en appuyant sur l'icône vers le haut ou vers le bas. Une barre indicatrice située au centre du clavier indique le volume du débit d'eau.
- Ajuster chaque jet pour un mélange optimal d'eau et d'air. Tourner la garniture des jets dans le sens horaire pour réduire le débit d'air, ou dans le sens antihoraire pour augmenter le débit.
- Appuyer sur l'icône du chauffe-eau pour démarrer et arrêter ce dernier.
- Lorsqu'il est allumé, le voyant de chauffage indique que la température de l'eau sera maintenue jusqu'à 104°F (40°C).



## Utilisation du système d'air

**REMARQUE:** Cette baignoire est une baignoire à hydromassage combinée avec des jets d'air. Pour obtenir de l'information sur l'utilisation des fonctions d'hydromassage, se reporter à la section "Utilisation du système d'hydromassage".

### Démarrer les jets d'air

- Remplir la baignoire à 2" (51 mm) au moins au-dessus des jets d'hydromassage les plus élevés pour fournir une arrivée d'eau adéquate pour le système d'air.
- Utiliser la main pour tester la température de l'eau avant d'entrer dans la baignoire.
- Appuyer sur l'icône Marche/Arrêt sur le clavier utilisateur pour démarrer le système d'air.
- Régler le débit d'air en appuyant sur l'icône vers le haut ou vers le bas.

### Sélectionner un mode de débit d'air

- Faire tourner la bague extérieure sur le clavier pour sélectionner un mode.
- Appuyer sur l'icône "OK" pour activer ce mode.
- Pour arrêter un mode, tourner la bague extérieure jusqu'à ce que l'icône clignote en vert, puis appuyer de nouveau sur l'icône "OK".
- L'icône devient bleue pour indiquer que le mode est désactivé.

### Arrêter les jets d'air

- Appuyer sur l'icône Marche/Arrêt pour arrêter le système d'air.
- Appuyer sur l'icône Marche/Arrêt pour arrêter le système d'air.

### Cycle de purge manuelle (en option)

**REMARQUE:** Suivre ces étapes pour effectuer une purge manuelle de l'eau résiduelle du système d'air.

- Après l'arrêt du système d'air et la vidange de la baignoire, tourner l'anneau extérieur sur l'icône de purge.
- Lorsque l'icône de purge clignote en bleu, appuyer sur l'icône "OK".
- L'icône de purge clignote en vert lors du démarrage de la purge manuelle. Le système d'air fonctionne à une vitesse lente pour évacuer toute eau résiduelle du faisceau d'air.
- Le système d'air s'arrête automatiquement au bout de 2 minutes.

## Entretien et nettoyage

Pour obtenir les meilleurs résultats possibles, prendre ce qui suit en considération lors de l'entretien de votre baignoire KOHLER:

- Toujours tester la solution de nettoyage sur une surface non visible avant de l'appliquer sur l'ensemble de la surface.
- Essuyer les surfaces et rincer complètement avec de l'eau immédiatement après l'application du nettoyant. Rincer et sécher tout éclaboussement sur les surfaces avoisinantes.
- Ne pas laisser les nettoyeurs tremper sur les surfaces.
- Utiliser une éponge ou un chiffon doux et humide. Ne jamais utiliser de matériau abrasif tel qu'une brosse ou une éponge à récurer pour nettoyer les surfaces.
- La technique idéale de nettoyage est de bien rincer et de sécher toute eau de la surface après chaque usage.
- Utiliser une brosse douce en nylon sur les surfaces anti-dérapantes. S'assurer d'utiliser un nettoyant hydrosoluble (qui se dissout à 100% dans l'eau).
- **Ne pas utiliser d'agents nettoyants en poudre, sauf si ceux-ci sont complètement dilués dans l'eau.** Des substances solides peuvent obstruer les jets d'air.
- **Ne pas utiliser de solutions de nettoyage avec eau de Javel ou ammoniacale à concentration intégrale.** Les solutions de nettoyage à agents chimiques actifs peuvent endommager la surface.
- **Ne pas utiliser de nettoyeurs abrasifs ou de solvants sur les surfaces des jets d'air.** Les produits nettoyants abrasifs et solvants peuvent endommager la surface des jets d'air.

### Maintenance des jets d'air

- S'il est nécessaire de nettoyer les jets d'air en raison de dépôts d'eau dure, mouiller un chiffon doux, non abrasif, avec du vinaigre blanc et essuyer les orifices des jets d'air bouchés. Rincer immédiatement la surface avec de l'eau propre afin d'éviter une exposition à long terme du vinaigre à la surface des jets d'air.
- Remplir la baignoire avec de l'eau jusqu'à la rangée supérieure des jets d'air. Vidanger la baignoire et appuyer sur le bouton de purge.

Pour obtenir des renseignements détaillés sur le nettoyage et les produits à considérer, consulter le site [www.kohler.com/clean](http://www.kohler.com/clean). Pour commander des renseignements sur le nettoyage, appeler le 1-800-456-4537.

## Purger le système

**REMARQUE:** Purger le système d'hydromassage deux fois par mois ou plus, selon la fréquence d'utilisation.

- Tourner les bagues de garniture des jets complètement dans le sens des aiguilles d'une montre pour réduire l'induction d'air.
- Remplir la baignoire à hydromassage d'eau chaude à au moins 2" (51 mm) au-dessus du jet le plus élevé.
- Ajouter à l'eau 2 petites cuillères (10 ml) d'un détergent en poudre pour lave-vaisselle automatique peu moussant et 20 onces (590 ml) d'eau de javel domestique (5% à 6% d'hypochlorite de sodium).
- Faire fonctionner la baignoire à hydromassage pendant 5 à 10 minutes. Arrêter la baignoire à hydromassage et purger.
- Si souhaité, rincer les surfaces de la baignoire avec de l'eau.
- Rincer les surfaces des jets, le robinet, les barres d'appui et le drain, et les sécher avec un chiffon doux.

## Dépannage

**AVIS:** Cette section est seulement destinée à une aide générale. Un représentant du service agréé Kohler Co. ou un électricien qualifié doit rectifier tous les problèmes électriques. Pour un service de garantie, appeler le 1-800-4KOHLER à partir des É.-U. et du Canada, ou le 001-800-456-4537 à partir du Mexique.



## Dépannage (cont.)

**REMARQUE:** Le numéro de modèle du produit est imprimé sur une étiquette placée du côté pompe/souffleur de la baignoire.

**REMARQUE:** Pour tout renseignement sur les pièces de rechange, visiter la page du produit sur le site [www.kohler.com/serviceparts](http://www.kohler.com/serviceparts).

### Système d'hydromassage

Symptômes	Causes probables	Action recommandée
1. Le clavier utilisateur ne s'allume pas lorsque l'on appuie sur l'icône Marche/Arrêt ou (si applicable) lorsque l'on tourne la bague extérieure.	<p>A. Commande non alimentée.</p> <p>B. Le disjoncteur GFCI ou le dispositif RCD se déclenche.</p> <p>C. Le faisceau de câblage entre le clavier utilisateur et la commande est desserré, débranché ou endommagé.</p> <p>D. Le clavier utilisateur ne fonctionne pas.</p> <p>E. La commande ne fonctionne pas.</p>	<p>A. Vérifier le câblage et raccorder l'alimentation électrique.</p> <p>B. Réinitialiser le disjoncteur GFCI ou le dispositif RCD.</p> <p>C. Vérifier les raccordements du câblage. Remplacer le faisceau de câblage si nécessaire.</p> <p>D. Remplacer le clavier utilisateur.</p> <p>E. Remplacer la commande.</p>
2. Le moteur démarre, mais certains jets ne fonctionnent pas.	<p>A. Jet fermé.</p> <p>B. Le jet n'est pas installé correctement.</p> <p>C. Jets obstrués.</p>	<p>A. Tourner la bague du jet dans le sens contraire des aiguilles d'une montre pour ouvrir.</p> <p>B. Réinstaller le jet; vérifier l'état du joint torique.</p> <p>C. Éliminer l'obstruction.</p>
3. Le clavier utilisateur est illuminé, mais il ne répond pas aux icônes ou à la bague extérieure.	<p>A. Le programme de commande est verrouillé.</p> <p>B. Le faisceau de câblage entre le clavier utilisateur et la commande est desserré, débranché ou endommagé.</p> <p>C. Le clavier utilisateur ne fonctionne pas.</p> <p>D. La commande ne fonctionne pas.</p>	<p>A. Réinitialiser le disjoncteur GFCI ou le dispositif RCD.</p> <p>B. Vérifier les raccordements du câblage. Remplacer le faisceau de câblage si nécessaire.</p> <p>C. Remplacer le clavier utilisateur.</p> <p>D. Remplacer la commande.</p>
4. La barre indicatrice du clavier ne cesse de défiler au démarrage.	<p>A. Le programme de commande est verrouillé.</p> <p>B. Le faisceau de câblage entre le clavier utilisateur et la commande est desserré, débranché ou endommagé.</p> <p>C. Le clavier utilisateur ne fonctionne pas.</p> <p>D. La commande ne fonctionne pas.</p>	<p>A. Réinitialiser le disjoncteur GFCI ou le dispositif RCD.</p> <p>B. Vérifier les raccordements du câblage. Remplacer le faisceau de câblage si nécessaire.</p> <p>C. Remplacer le clavier utilisateur.</p> <p>D. Remplacer la commande.</p>
5. Le clavier est illuminé, mais la pompe de démarre pas.	<p>A. Le cordon d'alimentation entre la pompe et la commande est desserré, débranché ou endommagé.</p> <p>B. La pompe ne fonctionne pas.</p>	<p>A. Vérifier les connexions du câblage.</p> <p>B. Remplacer la pompe.</p>

**Dépannage (cont.)****Système d'hydromassage**

<b>Symptômes</b>	<b>Causes probables</b>	<b>Action recommandée</b>
	<b>C.</b> La commande ne fonctionne pas.	<b>C.</b> Remplacer la commande.
<b>6.</b> Le moteur fonctionne mais la pompe ne s'amorce pas (cavitation).	<b>A.</b> La pompe est placée trop haut. <b>B.</b> Petite fuite d'air à l'entrée de la pompe. <b>C.</b> Le moteur/la pompe ne fonctionne pas. <b>D.</b> La commande ne fonctionne pas.	<b>A.</b> Abaisser la pompe/commande au niveau du sous-plancher. <b>B.</b> Bien serrer l'écrou ou les écrous sur le côté admission de la pompe. <b>C.</b> Remplacer le moteur/la pompe. <b>D.</b> Remplacer la commande.
<b>7.</b> La pompe s'arrête avant 18 minutes.	<b>A.</b> Le disjoncteur GFCI ou le dispositif RCD se déclenche. <b>B.</b> L'aspiration est obstruée. <b>C.</b> Jets obstrués. <b>D.</b> Surchauffe du moteur et système de protection activé.	<b>A.</b> Identifier l'origine du problème, puis y remédier. Réinitialiser le GFCI ou le RCD. <b>B.</b> Éliminer l'obstruction. <b>C.</b> Éliminer l'obstruction. <b>D.</b> Voir s'il y a une obstruction au niveau de l'aspiration et/ou des jets. Éliminer l'obstruction et laisser le moteur refroidir.
<b>8.</b> La pompe ne s'arrête pas automatiquement au bout de 22 minutes.	<b>A.</b> Minuterie de 20 minutes désactivée par inadvertance.	<b>A.</b> Consulter le manuel d'entretien.
<b>9.</b> La pompe ne s'arrête pas quand on appuie sur l'icône Marche/Arrêt du clavier utilisateur.	<b>A.</b> Le clavier utilisateur ne fonctionne pas. <b>B.</b> La commande ne fonctionne pas.	<b>A.</b> Remplacer le clavier utilisateur. <b>B.</b> Remplacer la commande.
<b>10.</b> La pompe fonctionne, mais la fonction de vitesse variable ne fonctionne pas.	<b>A.</b> Le moteur/la pompe ne fonctionne pas. <b>B.</b> La commande ne fonctionne pas.	<b>A.</b> Remplacer le moteur/la pompe. <b>B.</b> Remplacer la commande.
<b>11.</b> L'eau de la baignoire se refroidit pendant la marche de la pompe.	<b>A.</b> La température de l'eau dépasse 104°F (40°C). <b>B.</b> Le chauffe-eau s'est arrêté manuellement ou automatiquement. <b>C.</b> Le câblage entre le chauffe-eau et la commande est desserré, débranché ou endommagé. <b>D.</b> Le chauffe-eau ne fonctionne pas. <b>E.</b> La commande ne fonctionne pas.	<b>A.</b> Laisser l'eau du bain refroidir. <b>B.</b> Mettre le chauffe-eau en marche. <b>C.</b> Vérifier les raccordements du câblage. <b>D.</b> Remplacer le chauffe-eau. <b>E.</b> Remplacer la commande.
<b>12.</b> Fonctionnement bruyant.	<b>A.</b> Les sangles de retenue de la pompe n'ont pas été coupées. <b>B.</b> Joint torique de jet sec ou délogé (crissement).	<b>A.</b> Couper les sangles de retenue de la pompe avec des cisailles de ferblantier. <b>B.</b> Retirer le jet, remplacer et lubrifier le joint torique et réinstaller le jet.

## Dépannage (cont.)

### Système d'air

Symptômes	Causes probables	Action recommandée
1. Le clavier utilisateur ne s'illumine pas quand on appuie sur l'icône Marche/Arrêt ou lorsque l'on tourne la bague extérieure.	A. Commande non alimentée.	A. Vérifier le câblage et raccorder l'alimentation électrique.
	B. Déclenchement du disjoncteur de fuite de terre (GFCI) ou du dispositif à courant résiduel (RCD).	B. Réinitialiser le disjoncteur GFCI ou le dispositif RCD. Si ceci se reproduit, se référer à la section "Le disjoncteur de fuite de terre (GFCI) ou le dispositif à courant résiduel (RCD) se déclenche lorsque la baignoire est en marche".
	C. Le faisceau de câblage entre le clavier utilisateur et la commande est desserré, débranché ou endommagé.	C. Vérifier les raccordements du câblage. Remplacer le faisceau de câblage si nécessaire.
	D. Le clavier utilisateur ne fonctionne pas.	D. Remplacer le clavier utilisateur.
	E. La commande ne fonctionne pas.	E. Remplacer la commande.
2. Le disjoncteur de fuite de terre (GFCI) ou l'appareil à courant résiduel (RCD) se déclenche lorsque la baignoire est en marche.	A. Le faisceau électrique est mouillé ou endommagé.	A. Rechercher des connexions mouillées. Sécher les connexions et réparer la fuite. Rechercher des dommages de matériau isolant ou de connecteurs. Remplacer le faisceau s'il est endommagé.
	B. Le câblage électrique vers la boîte de jonction de la baignoire est mouillé ou endommagé; ou l'intensité de courant électrique n'est pas adéquate.	B. Demander à un électricien qualifié de diagnostiquer et de rectifier le problème conformément aux codes du bâtiment et d'électricité en vigueur ou d'augmenter l'intensité de courant électrique à 20 A.
	C. Le câblage électrique au cordon d'alimentation de la baignoire est mouillé ou endommagé.	C. Demander à un électricien qualifié de diagnostiquer et de rectifier le problème conformément aux codes du bâtiment et d'électricité en vigueur.
	D. Le moteur du souffleur est court-circuité au niveau interne.	D. Remplacer le moteur du souffleur.
	E. La commande est court-circuitée au niveau interne.	E. Remplacer la commande.
3. Le clavier utilisateur est illuminé, mais il ne répond pas aux icônes ou à la bague extérieure.	A. Le programme de commande est verrouillé.	A. Réinitialiser le disjoncteur GFCI ou le dispositif RCD.
	B. Le faisceau de l'ensemble de la fiche P5 entre le clavier utilisateur et la commande est desserré, débranché ou endommagé.	B. Vérifier les raccordements du câblage. Remplacer le faisceau de câblage si nécessaire.
	C. Le clavier utilisateur ne fonctionne pas.	C. Remplacer le clavier utilisateur.
	D. La commande ne fonctionne pas.	D. Remplacer la commande.
4. Le moteur du souffleur ne démarre pas/ne s'arrête pas.	A. Le cordon d'alimentation entre le moteur du souffleur et la commande est desserré, déconnecté ou endommagé.	A. Vérifier les connexions du câblage.
	B. Le moteur du souffleur ne fonctionne pas.	B. Remplacer le moteur du souffleur.

## Dépannage (cont.)

### Système d'air

Symptômes	Causes probables	Action recommandée
	C. La commande ne fonctionne pas.	C. Remplacer la commande.
5. Le moteur du souffleur s'arrête de fonctionner et ne redémarre pas immédiatement. Le clavier est illuminé.	A. Moteur de souffleur surchauffé et système de protection activé.	A. Rechercher une obstruction au niveau de l'orifice d'admission d'air. Éliminer l'obstruction et laisser le moteur refroidir. Se référer à la section "Le clavier utilisateur est illuminé, mais il ne répond pas aux icônes ou à la bague extérieure" et "Le moteur du souffleur ne démarre pas."
6. Le moteur du souffleur démarre, mais certains jets d'airs n'émettent pas de bulles.	A. La vitesse du moteur du souffleur est trop basse.	A. Augmenter le point de consigne de la vitesse pour le moteur du souffleur.
	B. L'orifice d'entrée d'air du souffleur est obstrué.	B. Dégager l'orifice d'entrée d'air du souffleur.
	C. Le moteur du souffleur ne fonctionne pas.	C. Remplacer le moteur du souffleur.
	D. L'orifice de sortie du moteur du souffleur est obstrué.	D. Dégager l'obstruction.
	E. Les jets d'air sont bouchés.	E. Utiliser une petite brosse de nettoyage entre les dents et du vinaigre blanc. Tremper la brosse dans le vinaigre, brosse l'orifice, rincer la brosse à l'eau propre, puis utiliser la brosse mouillée et rincée pour rincer l'orifice.
7. Le moteur du souffleur fonctionne mais aucune bulle d'air ne se forme.	F. Certaines zones sont fermées.	F. Faire fonctionner toutes les zones.
	A. L'orifice d'entrée d'air du souffleur est obstrué.	A. Nettoyer l'orifice d'entrée d'air du souffleur.
	B. Les jets d'air sont bouchés.	B. Utiliser une petite brosse de nettoyage entre les dents et du vinaigre blanc. Tremper la brosse dans le vinaigre, brosse l'orifice, rincer la brosse à l'eau propre, puis utiliser la brosse mouillée et rincée pour rincer l'orifice.
	C. Le moteur du souffleur ne fonctionne pas.	C. Remplacer le moteur du souffleur.
	D. La commande ne fonctionne pas.	D. Remplacer la commande.
8. Le moteur du souffleur fonctionne, des bulles d'air se forment, les commandes de zones fonctionnent, mais la fonction de vitesse variable ne fonctionne pas.	A. L'orifice d'entrée d'air du souffleur est obstrué.	A. Dégager l'orifice d'entrée d'air du souffleur.
	B. Le faisceau de câblage est desserré, déconnecté ou endommagé.	B. Vérifier les raccordements du câblage. Remplacer le faisceau de câblage si nécessaire.
	C. Le clavier utilisateur ne fonctionne pas.	C. Remplacer le clavier utilisateur.
	D. Le moteur du souffleur ne fonctionne pas.	D. Remplacer le moteur du souffleur.
	E. La commande ne fonctionne pas.	E. Remplacer la commande.

## Dépannage (cont.)

### Système d'air

Symptômes	Causes probables	Action recommandée
9. Le moteur du souffleur ne s'arrête pas lorsque l'on appuie sur l'icône Marche/Arrêt du clavier utilisateur.	A. Le clavier utilisateur ne fonctionne pas.	A. Remplacer le clavier utilisateur.
	B. Le faisceau de câblage est desserré, déconnecté ou endommagé.	B. Vérifier les raccordements du câblage. Remplacer le faisceau de câblage si nécessaire.
	C. La commande ne fonctionne pas.	C. Remplacer la commande.
10. Une zone ne produit pas de bulles d'air, alors qu'une autre zone fonctionne normalement.	A. La zone n'est pas sélectionnée.	A. Sélectionner la zone selon les instructions de la section "Instructions de fonctionnement".
	B. La vanne papillon ne fonctionne pas.	B. Remplacer la vanne papillon.
	C. Le faisceau de câblage est desserré, déconnecté ou endommagé.	C. Vérifier les raccordements du câblage. Remplacer le faisceau de câblage si nécessaire.
	D. Le clavier utilisateur ne fonctionne pas.	D. Remplacer le clavier utilisateur.
	E. La commande ne fonctionne pas.	E. Remplacer la commande.
11. Le mode de surpression ne fonctionne pas.	A. Le clavier utilisateur ne fonctionne pas.	A. Remplacer le clavier utilisateur.
	B. La commande ne fonctionne pas.	B. Remplacer la commande.
12. Déversement d'eau ou endommagement constaté sous la baignoire.	A. Fuite du drain ou du trop-plein.	A. Réparer ou remplacer l'ensemble du drain selon les instructions du fabricant.
	B. Le mur, le comptoir et/ou la porte de la douche ne sont pas entièrement étanches.	B. Appliquer du mastic à la silicone sur les joints entre la baignoire et le mur, le comptoir ou la porte.
	C. Tuyauterie ou conduits d'air fissurés.	C. S'adresser à Kohler Co. en utilisant les informations fournies sur la page arrière.
13. La baignoire ne se purge pas automatiquement.	A. Les fils des capteurs de niveau sont déconnectés.	A. Connecter les fils des capteurs de niveau.

## Garantie

### GARANTIE LIMITÉE D'UN AN

Les produits de plomberie KOHLER sont garantis contre tout vice de matériau et de fabrication pendant un an à partir de la date de l'installation.

Si un vice est découvert au cours d'une utilisation normale, Kohler Co. choisira, à sa discrétion, la réparation, le remplacement ou la rectification appropriée après inspection desdits vices par Kohler Co. pendant un (1) an à partir de la date d'installation. Kohler Co. n'est pas responsable des frais d'enlèvement ou d'installation. **L'utilisation de nettoyeurs à l'intérieur du réservoir annule la garantie.**

Pour obtenir le service de garantie, contacter Kohler Co., par l'intermédiaire du vendeur, plombier, centre de rénovation ou revendeur par internet, ou bien par écrit à l'adresse suivante Kohler Co., Attn.: Customer Care Center, 444 Highland Drive, Kohler, WI 53044, USA, ou appeler le 1-800-4-KOHLER (1-800-456-4537) à partir des É.-U. et du Canada, et le 001-800-456-4537 à partir du Mexique, ou consulter le site [www.kohler.com](http://www.kohler.com) aux É.-U., [www.ca.kohler.com](http://www.ca.kohler.com) à partir du Canada, ou [www.mx.kohler.com](http://www.mx.kohler.com) au Mexique.

**LES GARANTIES TACITES, Y COMPRIS CELLES DE COMMERCIALITÉ ET D'ADAPTATION À UN USAGE PARTICULIER, SONT EXPRESSÉMENT LIMITÉE À LA DURÉE DE LA PRÉSENTE GARANTIE. KOHLER CO. ET/OU LE REVENDEUR DÉCLINENT TOUTE RESPONSABILITÉ CONTRE LES**

## Garantie (cont.)

**DOMMAGES PARTICULIERS, ACCESSOIRES OU INDIRECTS.** Certains états et provinces ne permettent pas de limite sur la durée de la garantie tacite, ni l'exclusion ou la limite des dommages particuliers, accessoires ou indirects, et, par conséquent, lesdites limites et exclusions peuvent ne pas s'appliquer à votre cas. Cette garantie vous donne des droits juridiques particuliers. Vous pouvez également avoir d'autres droits qui varient d'un état ou d'une province à l'autre.

Ceci constitue la garantie écrite exclusive de Kohler Co.

## Garantie

### Pour le Mexique

KOHLER CO.

Il est recommandé de s'assurer qu'il ne manque aucun accessoire ou composant dans l'emballage au moment de l'achat.

Ce produit Kohler est garanti contre tout défaut de matériel et de fabrication pour une période d'un (1) an à partir de la date d'achat tel qu'indiqué sur la facture ou le reçu de caisse.

1. Kohler Co. effectuera seulement un entretien de ses produits commercialisés à travers son réseau de distributeurs agréés.
2. Pour obtenir un service-garantie, présenter la facture et le certificat de garantie du produit correspondant.
3. Kohler Co. s'engage, par l'intermédiaire de ses distributeurs autorisés, à réparer ou à remplacer tout produit défectueux par un modèle équivalent (dans les cas où les modèles ne sont plus fabriqués) lorsque le produit ne peut pas être réparé, sans frais pour le consommateur.
4. Le temps de réparation n'excédera pas six (6) semaines à compter de la date de réception du produit.
5. Il est recommandé que le consommateur conserve la facture ou le ticket de caisse comme mesure de protection supplémentaire, car ceux-ci pourraient remplacer la garantie dans le cas d'erreur de validité de la garantie.

### EXCEPTIONS ET RESTRICTIONS

La garantie perdra sa validité dans les cas suivants:

1. Lorsque le produit n'est pas utilisé conformément aux instructions d'utilisation et de fonctionnement indiquées dans le guide du propriétaire ou dans les instructions d'installation, et quand les recommandations et mises en garde ne sont pas respectées.
2. Quand le produit a été partiellement ou totalement modifié ou démonté, ou s'il a été utilisé d'une façon négligée ayant pour conséquence un endommagement causé par le consommateur, une personne ou un matériel non autorisé par Kohler Co.
3. Cette garantie ne couvre pas les dommages issus de catastrophes telles que les incendies ou les catastrophes naturelles, y compris les inondations, les tremblements de terre, les orages électriques, etc. Pour obtenir une liste des distributeurs dans votre région auprès desquels il est possible d'exercer ses droits dans le cadre de la présente garantie, composer le 001-800-456-4537.

KOHLER CO., KOHLER, WI 53044 U.S.A.

### IMPORTATEUR:

COMERCIALIZADORA INTERCERAMIC, S.A. DE C.V.

AV. CARLOS PACHECO NO. 7200, COL. MADERA 65

CHIHUAHUA, CHIH., MEXICO C.P. 31060

R.F.C. CIN141022IE9

TÉL.: 52 (614) 429-11-11

### IMPORTATEUR:

**Garantie (cont.)**

GAMA MATERIALES Y ACEROS, S.A. DE C.V.

AVE LOS ANGELES NO. 1800

COL VALLE DEL NOGALAR, SAN NICOLAS DE LOS GARZA

N.L. MEXIQUE

R.F.C. GMA901220U11

TÉL.: 81-1160-5500

# Guía de instalación y cuidado

## Bañera de hidromasaje con jets de aire

### Instalación a la medida

## Instrucciones de instalación



**ADVERTENCIA:** Al usar aparatos eléctricos siempre cumpla las precauciones básicas, incluidas las siguientes:



**ADVERTENCIA:** Riesgo de sacudidas eléctricas. Conecte solo a un circuito protegido por un interruptor de circuito con pérdida a tierra (GFCI)\*.

El material de construcción y el cableado se deben colocar alejados de la bomba, del motor soplador y de otros componentes de la unidad que produzcan calor.

Instale de manera que quede acceso para dar servicio.

El compartimiento de cables incluye un conector a presión marcado "Earth/Ground" (tierra). Para reducir el riesgo de una sacudida eléctrica, conecte este conector al terminal de tierra de su tablero eléctrico o al panel de suministro eléctrico con un cable de cobre del tamaño equivalente al conductor del circuito que alimenta este equipo.

Se incluyen conectores a presión en el exterior de la caja de empalmes o del control dentro de esta unidad para permitir la conexión de un conductor equipotencial entre esta unidad y todo el metal expuesto en la cercanía, lo que sea necesario para cumplir requisitos locales.

El compartimiento de cables tiene un terminal de conexión a tierra para el equipo. Para reducir el riesgo de sacudidas eléctricas, este terminal se debe conectar a la conexión a tierra provista en el panel de suministro eléctrico con un conductor del tamaño equivalente al de los conductores del circuito que alimentan este equipo.

**Se requiere conexión a tierra.** Un representante autorizado de servicio debe instalar esta unidad y conectarla a tierra.



**ADVERTENCIA:** Riesgo de lesiones personales o de daños a la propiedad. Lea atentamente todas las instrucciones antes de comenzar la instalación.



**ADVERTENCIA:** Riesgo de sacudidas eléctricas. Un electricista calificado debe hacer todas las conexiones eléctricas.



**ADVERTENCIA:** Riesgo de sacudidas eléctricas. Desconecte el suministro eléctrico antes de dar servicio.

**AVISO:** Cumpla todos los códigos locales de electricidad y de plomería. En Canadá, instale la unidad conforme al Código Eléctrico Canadiense, Parte 1.

\*Fuera de Estados Unidos, es posible que este dispositivo se conozca como dispositivo de corriente residual (RCD, por sus siglas en inglés).

## Información sobre el producto

### Requisitos eléctricos

La instalación debe contar con un interruptor de circuito con pérdida a tierra (GFCI) o con un dispositivo de corriente residual (RCD) ambos de clase A. El GFCI o RCD protege contra el peligro de sacudida eléctrica de línea a tierra. **Utilice un circuito de servicio eléctrico dedicado de 220 - 240 V, 20 A, 50/60 Hz para la bañera.**



## Información sobre el producto (cont.)

### Avisos sobre el producto



**ADVERTENCIA:** Las modificaciones no autorizadas pueden causar funcionamiento peligroso y bajo rendimiento de la bañera. No cambie la ubicación de la bomba o del motor soplador, ni haga otras modificaciones al sistema de la bañera, pues esto podría tener un efecto adverso en el rendimiento y en el funcionamiento seguro del producto. Kohler Co. no será responsable bajo su garantía, o de ninguna otra forma, de lesiones personales o daños provocados por modificaciones no autorizadas.

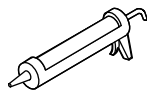
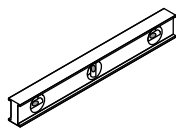
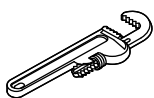
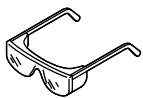
**AVISO:** Se requiere una instalación a la medida para ambos modelos, de sobreponer y con reborde.

**AVISO:** Mantenga el área alrededor del motor soplador limpia y sin aserrín, material aislante, tierra u otras partículas sueltas pequeñas. Dichos materiales podrían tapan la entrada de aire al motor soplador y reducir el flujo de aire a través del soplador.

### Características

Los componentes ensamblados en fábrica incluyen el control, el motor soplador con control, los jets de hidromasaje, el calentador, la tubería de aire, las válvulas de mariposa, los arneses de cables, el teclado iluminado para el funcionamiento de la bañera de hidromasaje y el teclado iluminado para el funcionamiento de los jets de aire. Además del cableado eléctrico y de las conexiones de plomería, no es necesario hacer más ensamblajes.

### Herramientas y materiales



Más:

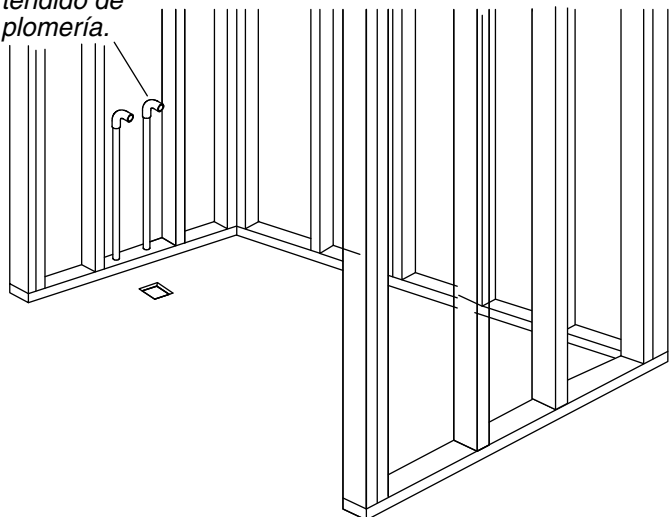
- Herramientas y materiales convencionales de carpintería
- Lona
- Adhesivo de construcción (opcional)
- Cemento\* o mortero (opcional)
- Postes de madera de 2x4

\* No utilice cemento de yeso.

Sellador 100% de silicona

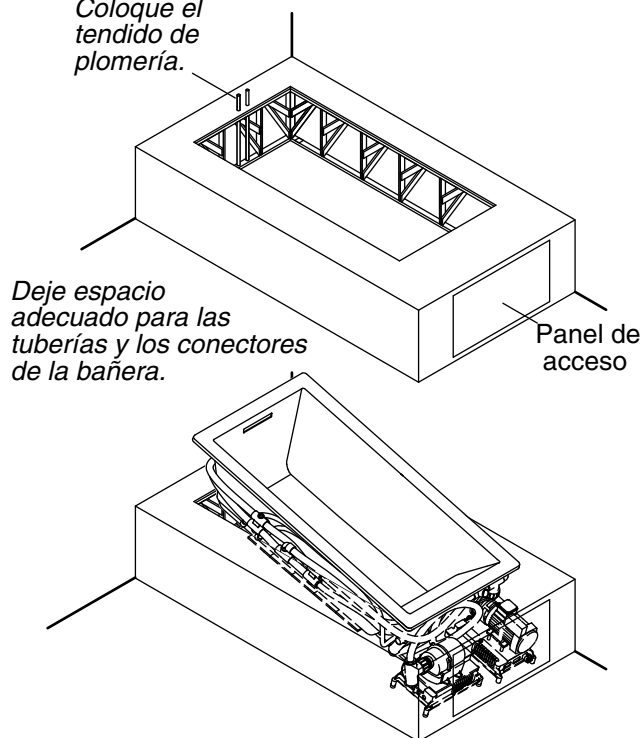
### Instalación encajonada entre tres paredes a la medida (solo modelos con reborde)

Coloque el  
tendido de  
plomería.



### Instalación de sobreponer a la medida

Coloque el  
tendido de  
plomería.



## 1. Prepare el sitio

**AVISO:** Mida el producto para preparar el lugar. Fíjese en el **número de modelo** ubicado en el extremo que lleva la bomba/el soplador en la bañera, luego visite la página del producto en [www.kohler.com](http://www.kohler.com) para consultar información adicional.

**AVISO:** Se requiere una instalación a la medida para ambos modelos, de sobreponer y con reborde.

**AVISO:** Los modelos de sobreponer **no** están diseñados para instalaciones encajonadas entre tres paredes. Utilice un modelo con reborde para encajonados entre tres paredes.

**AVISO:** Proporcione ventilación adecuada y un espacio de aire libre mínimo de 15 pies cúbicos (0,4 metros cúbicos) en el lugar de la instalación para enfriar el motor y suministrar suficiente aire al soplador. No instale el motor soplador a menos de 1" (25 mm) de la pared o de otros objetos.

**AVISO: Provea amplio acceso y sin restricciones a la bomba y al soplador.** El acceso debe quedar justo junto a la bomba, al soplador y a los controles para dar servicio.

**AVISO:** No apoye el peso de la bañera sobre el reborde.

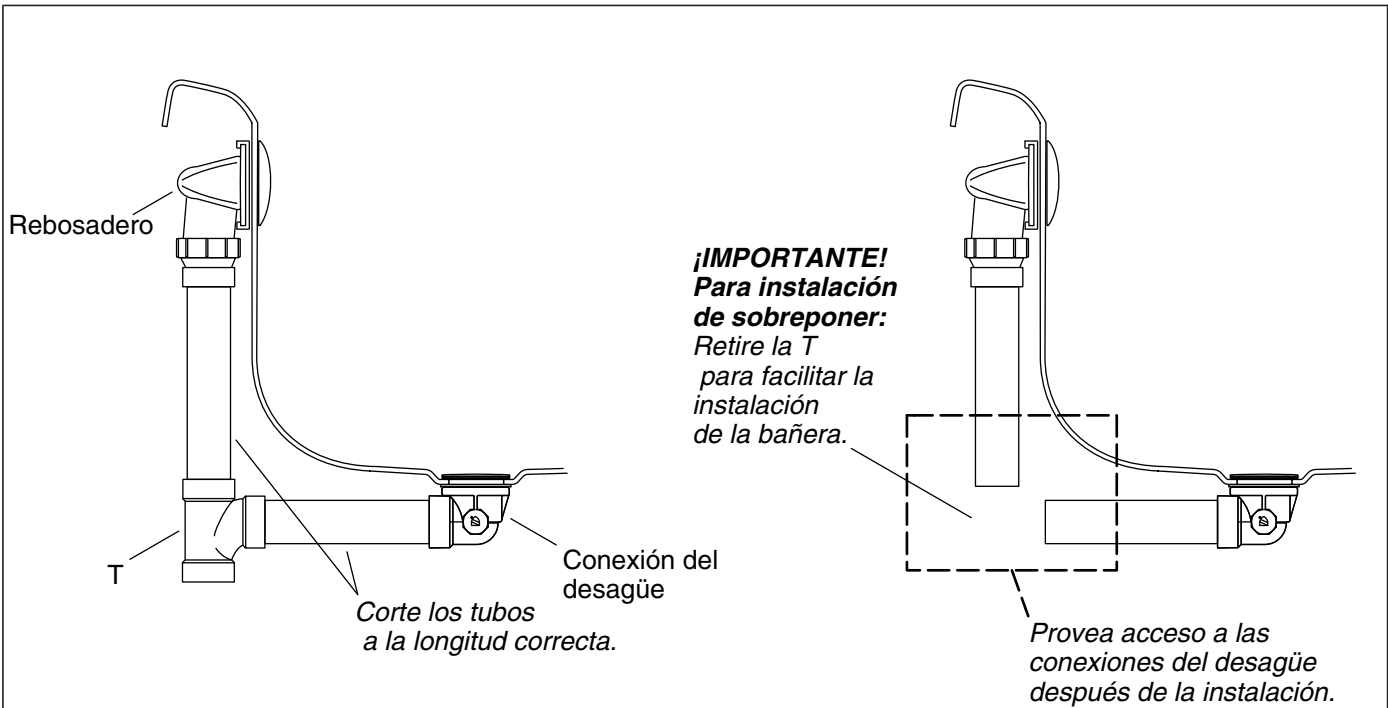
**NOTA:** De acuerdo al producto elegido, es posible realizar una instalación encajonada entre tres paredes, de montaje por abajo, o de sobreponer.

**NOTA:** En instalaciones de montaje por abajo, se requiere un kit de montaje por abajo.

**¡IMPORTANTE!** Es posible que la bomba y el soplador de la bañera sobresalgan del reborde de la bañera. Mida su producto, y deje espacio suficiente para la bomba y el soplador dentro de la cavidad con estructura de postes. Determine la distancia que sobresalen la bomba y el soplador del reborde de la bañera, y construya su estructura de postes según corresponda.

### **Prepare el sitio (cont.)**

- Verifique que el piso proporcione el soporte adecuado para su bañera y que el subpiso esté plano y nivelado.
- Construya una estructura de postes de 2x4, y tenga en cuenta que el soplador y la bomba sobresalen del reborde de la bañera.
- Instale un panel de acceso en el lado de la bañera que lleva la bomba/soplador para dar servicio. El panel de acceso debe ser lo suficientemente grande para permitir el acceso a la bomba y al soplador. En la hoja de especificaciones del producto consulte el tamaño mínimo del panel de acceso requerido para su modelo de bañera.
- Instale el tendido de plomería.



## 2. Prepare la bañera

**AVISO:** No levante la bañera por los tubos, por la bomba o por el soplador, ni utilice estos componentes como soporte estructural de la bañera. Para evitar daños a la bañera, levántela por los lados.

**¡IMPORTANTE!** Permita acceso a las conexiones del desagüe después de instalar la bañera.

**¡IMPORTANTE!** No apoye la bañera en las conexiones de desagüe mientras conecta la bañera.

**¡IMPORTANTE! Modelos de sobreponer:** No instale por completo el ensamblaje del desagüe antes de instalar la bañera. La bañera no se puede instalar con todos los componentes del desagüe conectados.

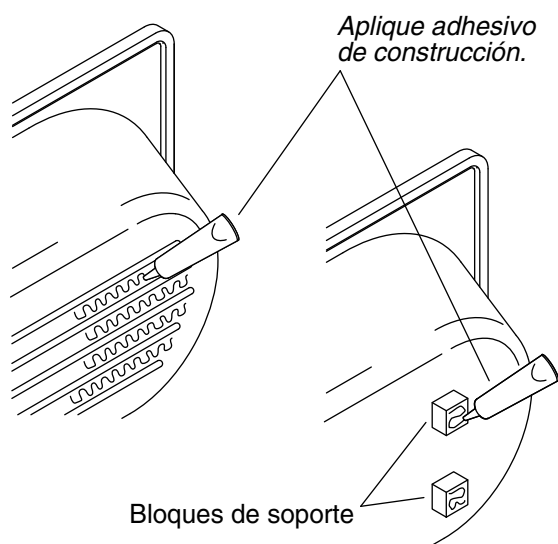
### Instalación de sobreponer

- Ensamble el rebosadero ranurado y las conexiones del desagüe a la bañera.
- Corte el tubo del rebosadero y el tubo de desechos del desagüe a las longitudes correctas y coloque preliminarmente la T de desagüe para verificar que quede bien.
- Retire la T del desagüe para proveer flexibilidad al instalar la bañera.
- Coloque una lona limpia en el fondo para proteger la superficie de la bañera.

### Instalación encajonada entre tres paredes

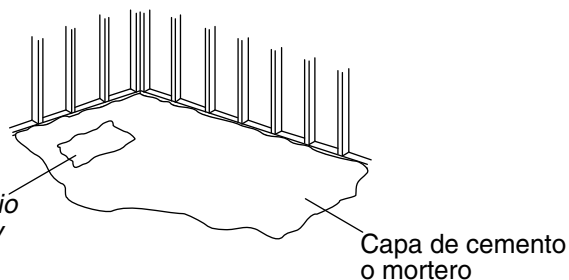
- Instale por completo el desagüe a la bañera de acuerdo a las instrucciones contenidas con el desagüe.
- Coloque una lona limpia en el fondo para proteger la superficie de la bañera.

### Opción 1

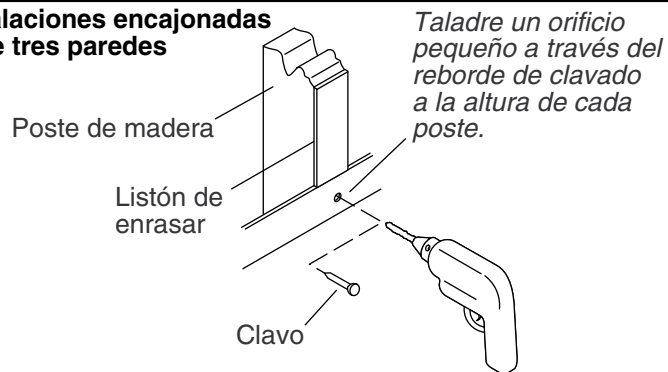


### Opción 2

Limpie el espacio para la bomba y el soplador.



### Instalaciones encajonadas entre tres paredes



## 3. Instale la bañera

**AVISO:** No levante la bañera por los tubos, por la bomba o por el soplador, ni utilice estos componentes como soporte estructural de la bañera. Para evitar daños a la bañera, levántela por los lados.

- Si el subpiso no está nivelado, coloque cuñas en los bloques de soporte de la bañera como sea necesario.
- **Opción 1: Adhesivo de construcción:** Aplique bastante adhesivo de construcción de alta calidad en la parte inferior de los bloques de soporte.
- **Opción 2: Capa de cemento o mortero:** Aplique de 1" (25 mm) a 2" (51 mm) de cemento mortero en el área de instalación. No utilice cemento de yeso o pasta para paneles de yeso, ya que no proporcionan adherencia aceptable ni duradera.

**¡IMPORTANTE!** Tenga cuidado de no pellizcar o aplastar el tubo flexible al colocar la bañera en su lugar.

- Con ayuda, coloque con cuidado la bañera en su lugar. Incline el extremo de la bomba/el soplador de la bañera para que entre primero a su lugar. Mueva el tubo flexible para alejarlo de los puntos de pellizco.

### Instalación de sobreponer

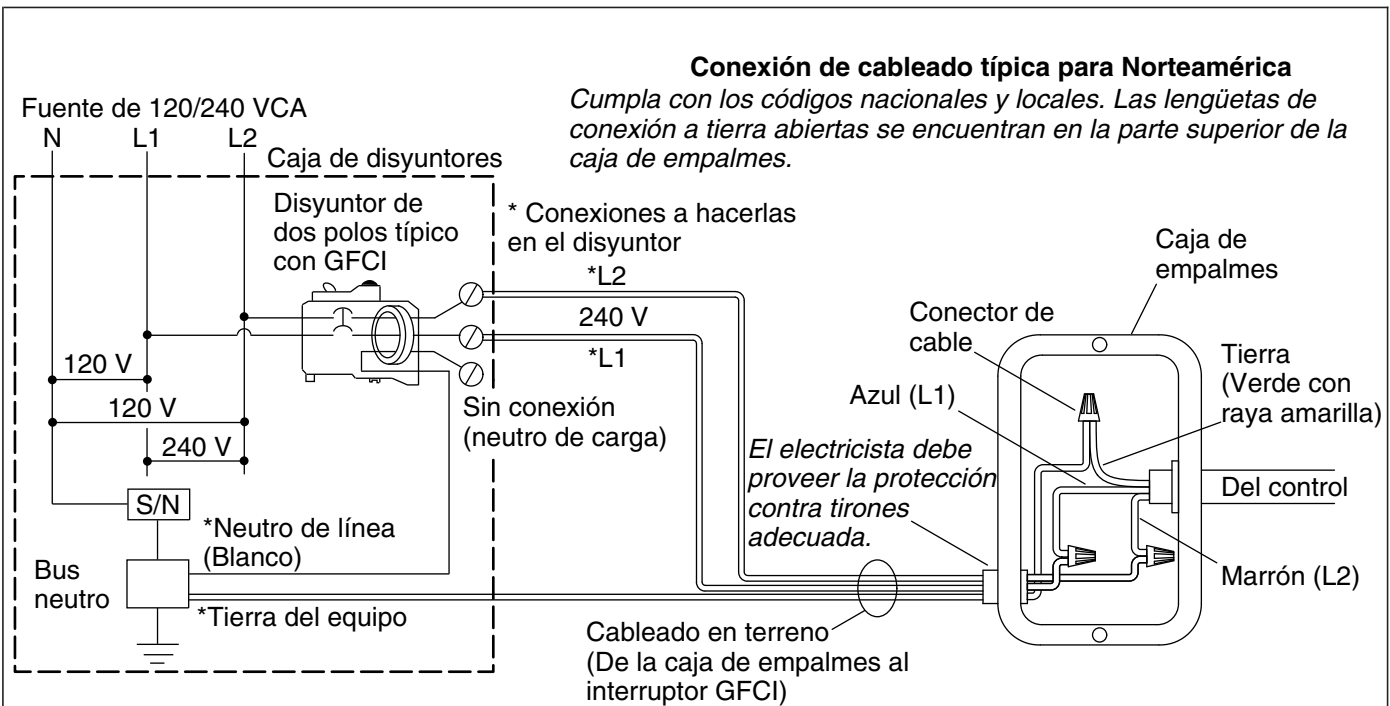
- Instale la T del desagüe y el tubo final. Fije el tubo final en la trampa.
- Instale la válvula de la grifería.
- Revise que no haya fugas en las conexiones de desagüe.

### Instalación encajonada entre tres paredes

- Taladre un pequeño orificio guía a través de la pestaña para clavar en cada poste de madera. Agregue cuñas según sea necesario.
- Utilice clavos galvanizados de cabeza grande para fijar la pestaña para clavar a los postes.
- Clave listones de enrasar de 1/4" (6 mm) a los postes.
- Introduzca el tubo final de desagüe en la trampa. Fije el tubo final de desagüe a la trampa.
- Instale la válvula de la grifería.

**Instale la bañera (cont.)**

- Revise que no haya fugas en las conexiones de desagüe.



#### 4. Haga las conexiones eléctricas

**NOTA:** La capacidad eléctrica del producto está impresa en una etiqueta en el extremo de la bañera que lleva la bomba/el soplador. Todas las bañeras están diseñadas para funcionar entre 220 V y 240 V, en 50 Hz o 60 Hz.

**NOTA:** El control de la bomba de hidromasaje y el control del motor soplador están equipados con una caja de empalmes de cableado.



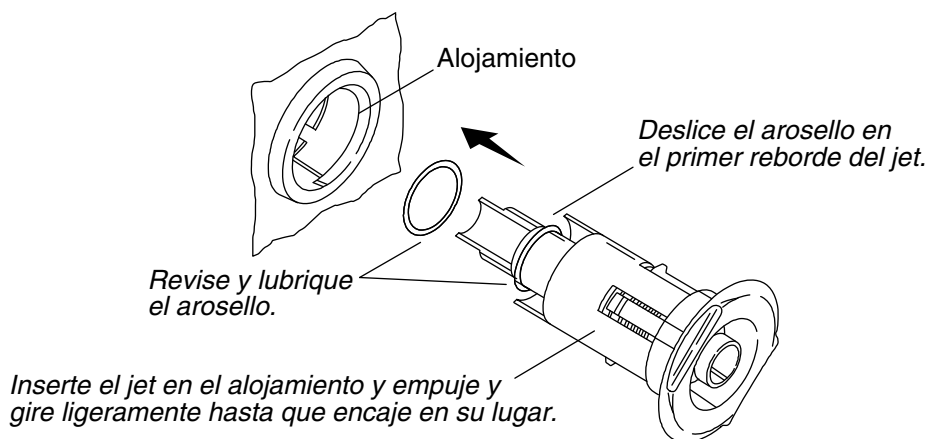
**ADVERTENCIA: Riesgo de sacudidas eléctricas.** Desconecte el suministro eléctrico antes de realizar los siguientes procedimientos.



**ADVERTENCIA: Riesgo de sacudidas eléctricas.** Conecte la bomba y el soplador a un interruptor de circuito con pérdida a tierra (GFCI) o con un dispositivo de corriente residual (RCD) para protección contra el peligro de sacudida eléctrica de línea a tierra. Se requiere un solo circuito dedicado de 220-240 V, 20 A, 50/60 Hz.

**¡IMPORTANTE!** No debe haber conexión al terminal de **neutro de carga** en el interruptor GFCI. El cable verde con la raya amarilla es la **tierra del equipo** y se debe conectar al bus neutro en la caja de disyuntores principal.

- Cumpla los códigos eléctricos locales. Haga conexiones equipotenciales de acuerdo a los códigos nacionales y locales.
- Conecte el servicio eléctrico a las dos cajas de empalmes. Cada caja de empalmes tiene tres cables: azul, marrón y verde con una raya amarilla.
- Asegúrese de que la tierra del equipo (cable verde con una raya amarilla) quede conectado al bus neutro en la caja principal de interruptores.



## 5. Termine de hacer la instalación

### Instale el kit de guarnición

- Instale la tapa de succión y los jets según las instrucciones incluidas con el kit de guarnición.

### Pruebe el funcionamiento de la bañera

- Llene la bañera hasta por lo menos 2" (51 mm) arriba del jet más alto de la bañera de hidromasaje.
- Cierre la entrada de agua a la bañera y deje el agua ahí cinco minutos. Revise que no haya fugas en ninguna de las conexiones de las tuberías de la bañera. Verifique que no haya fugas a lo largo del frente, los lados y la parte posterior de la bañera.
- Encienda el soplador y déjelo funcionar durante 5 minutos. Verifique que funcione sin dificultades.
- Para obtener información adicional sobre el funcionamiento de la bañera, consulte las secciones "Funcionamiento del sistema de hidromasaje" y "Funcionamiento del sistema de aire".

### Termine de hacer la instalación

- Instale panel de yeso impermeable y todos los materiales de acabado de la pared, la cubierta y el piso. Asegúrese de que haya una separación de 1/16" (2 mm) entre el reborde de la bañera y el material de acabado.
- Aplique sellador de silicona para sellar todas las áreas donde hacen contacto la bañera y la pared acabada o la cubierta.
- Instale la guarnición de la grifería.

### Limpieza después de la instalación

- Al limpiar después de la instalación, **no utilice productos de limpieza abrasivos** ya que pueden rayar y opacar la superficie de la bañera. Utilice agua tibia y detergente líquido para limpiar la superficie de la bañera.
- Limpie las manchas difíciles de quitar o la pintura con aguarrás o con diluyente de pintura. **No permita que los productos de limpieza que contengan destilados de petróleo permanezcan en contacto con la superficie de la bañera durante periodos prolongados.** Para retirar el yeso, raspe con cuidado con un canto de madera. No utilice raspadores de metal, cepillos de alambre ni otras herramientas metálicas. Se puede utilizar detergente en polvo con un trapo húmedo para ejercer una acción abrasiva suave en los residuos de yeso.



# Instrucciones importantes de seguridad

## LEA Y SIGA TODAS LAS INSTRUCCIONES

### GUARDE ESTAS INSTRUCCIONES

#### INSTRUCCIONES RELATIVAS A LOS RIESGOS DE INCENDIO, SACUDIDA ELÉCTRICA O LESIONES PERSONALES



**ADVERTENCIA:** Al usar aparatos eléctricos siempre cumpla las precauciones básicas, incluidas las siguientes:



**PELIGRO:** Riesgo de lesiones personales o ahogamiento. Para reducir el riesgo de lesiones, no permita que los niños usen este producto sin supervisión estricta en todo momento.



**ADVERTENCIA:** Riesgo de lesiones personales. Para evitar lesiones, tenga cuidado al entrar y al salir de la bañera.



**ADVERTENCIA:** Riesgo de sacudidas eléctricas. No coloque aparatos eléctricos (como secador de pelo, lámparas, teléfono, radio o televisión) a menos de 5 pies (1,5 m) de esta bañera.



**ADVERTENCIA:** El uso de alcohol, drogas o medicamentos puede aumentar enormemente el riesgo de sufrir hipertermia fatal. La inmersión prolongada en agua caliente puede producir hipertermia. Ocurre hipertermia cuando la temperatura interna del cuerpo alcanza un nivel varios grados más arriba de la temperatura corporal normal de 98,6°F (37°C). Los síntomas de hipertermia incluyen aumento de temperatura corporal interna, mareos, letargo, somnolencia y desfallecimiento. Los efectos de hipertermia incluyen: (a) incapacidad para percibir calor, (b) incapacidad para reconocer la necesidad de salir de la bañera, (c) inconsciencia de un peligro inminente, (d) daño al feto en mujeres embarazadas, (e) inhabilidad física para salir de la bañera y (f) pérdida del conocimiento con peligro de ahogarse.



**ADVERTENCIA:** Riesgo de lesiones mortales. Las mujeres embarazadas o que posiblemente estén embarazadas deben consultar a un médico antes de usar la bañera.



**ADVERTENCIA:** Riesgo de hipertermia o ahogamiento. No utilice la bañera inmediatamente después de hacer ejercicio.



**ADVERTENCIA:** Riesgo de hipertermia o ahogamiento. La temperatura del agua superior a 100°F (38°C) puede causar lesiones. Pruebe y ajuste la temperatura del agua antes de usar la bañera.



**ADVERTENCIA:** Riesgo de lesiones personales. No deje caer ni introduzca objetos en ninguna de las aberturas.

Use esta bañera únicamente con el fin para el que ha sido fabricada, tal como se explica en esta guía. No use equipos adicionales que no recomiende Kohler Co.

La bañera se debe conectar a un circuito protegido por un interruptor de circuito con pérdida a tierra (GFCI)\*. El instalador debe suministrar dicho interruptor GFCI, cuyo funcionamiento debe probarse en forma rutinaria. Para probar el GFCI, oprima el botón de prueba. El GFCI debe interrumpir el suministro eléctrico. Oprima el botón de restablecer (Reset). Esto debe restablecer el suministro eléctrico. Si el GFCI no funciona de esta manera, significa que está averiado. Si el GFCI interrumpe la alimentación eléctrica a la bañera sin que se haya activado el botón de prueba, significa que fluye corriente a tierra, lo que indica la posibilidad de una sacudida eléctrica. No utilice esta bañera. Desconecte la bañera y solicite que un representante de servicio autorizado solucione el problema.

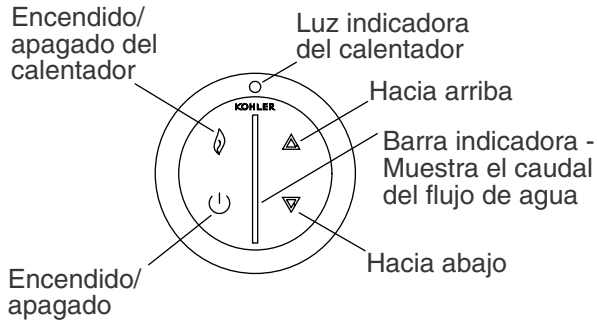
Limpie el sistema de hidromasaje dos o más veces al mes, de acuerdo al uso, tal como se describe en la sección "Haga circular agua para limpiar el sistema" de esta guía.

El uso constante de productos de higiene personal que contengan aceites puede dañar los componentes plásticos de la bañera de hidromasaje. Evite el uso de aceites de baño.

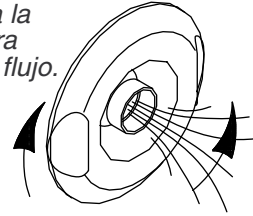
### **Instrucciones importantes de seguridad (cont.)**

La acción del hidromasaje puede hacer que una pequeña cantidad de líquidos para hacer burbujas, champú, jabón o aceite de baño espume en exceso. Por esta razón, no utilice estos productos durante el funcionamiento de la bañera de hidromasaje.

\*Fuera de Estados Unidos, este dispositivo se conoce como dispositivo de corriente residual (RCD, por sus siglas en inglés).



*Gire la guarnición  
del jet hacia la  
derecha para  
disminuir el flujo.*



*Gire la guarnición del jet  
hacia la izquierda para  
aumentar el flujo.*

## Funcionamiento del sistema de hidromasaje

**NOTA:** Esta bañera es una combinación de bañera de hidromasaje con jets de aire. Para obtener información sobre el uso de las funciones de aire, consulte la sección "Funcionamiento del sistema de aire".

**NOTA:** Un calentador integrado ayuda a mantener la temperatura del agua cuando la bañera de hidromasaje está en funcionamiento. Si la temperatura sube de 104°F (40°C), el calentador se apaga.

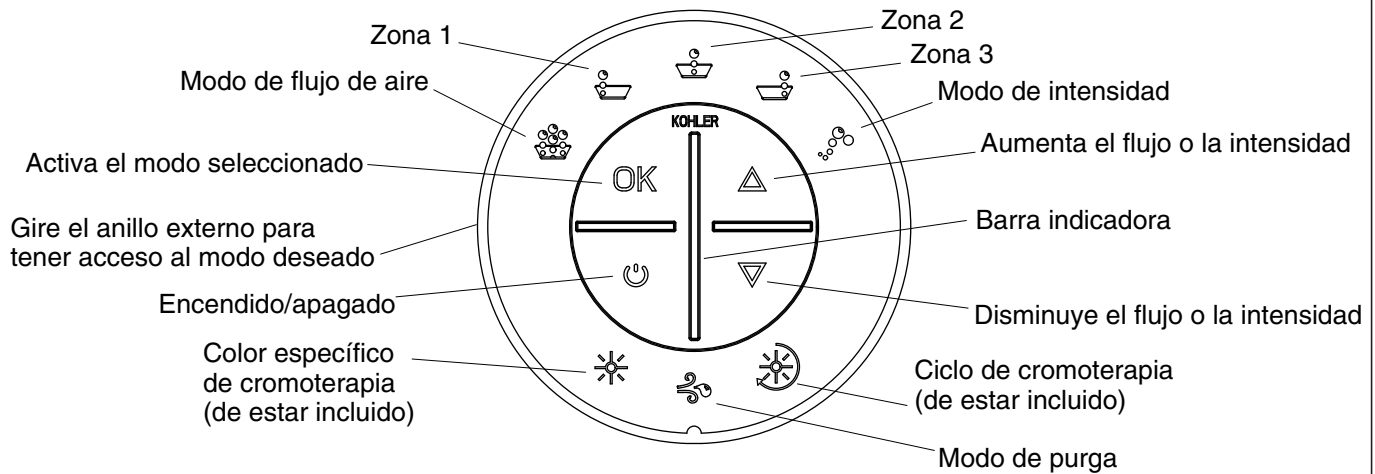
### Encienda/apague los jets de hidromasaje

- Coloque las boquillas de los jets hacia abajo y gire completamente hasta la izquierda el anillo de guarnición de los jets.
- Llene la bañera por lo menos 2" (51 mm) arriba de los jets de hidromasaje que están hasta arriba.
- Antes de entrar en la bañera, pruebe la temperatura del agua con la mano.
- Oprima el icono de encendido para encender el hidromasaje. La bañera de hidromasaje comienza a funcionar con flujo medio, y el calentador se enciende automáticamente.
- Vuelva a oprimir el icono de encendido para apagar la bañera de hidromasaje.

**NOTA:** El temporizador integrado apaga automáticamente el motor y la bomba después de aproximadamente 20 minutos de funcionamiento.

### Ajuste la temperatura y el flujo de agua

- Oprima el icono de flecha hacia arriba o hacia abajo para ajustar el flujo de agua. La barra indicadora en el centro del teclado muestra el caudal del flujo de agua.
- Ajuste cada jet para obtener una mezcla óptima de aire/agua. Gire la guarnición del jet hacia la derecha para reducir el flujo de aire o hacia la izquierda para aumentarlo.
- Oprima el icono del calentador para apagar y encender el calentador.
- Cuando está iluminada, la luz indicadora de calor muestra que la temperatura del agua se mantendrá en hasta 104°F (40°C).



## Funcionamiento del sistema de aire

**NOTA:** Esta bañera es una combinación de bañera de hidromasaje con jets de aire. Para obtener información sobre el uso de las funciones de hidromasaje, consulte la sección "Funcionamiento del sistema de hidromasaje".

### Encienda los jets de aire

- Llene la bañera por lo menos 2" (51 mm) arriba de los jets de hidromasaje más altos para que el suministro de agua sea adecuado para el sistema de aire.
- Antes de entrar en la bañera, pruebe la temperatura del agua con la mano.
- Oprima el icono de encendido en el teclado del usuario para encender el sistema de aire.
- Oprima el icono de flecha hacia arriba o hacia abajo para ajustar la tasa de flujo de agua.

### Seleccione un modo de flujo de aire

- Gire el anillo externo en el teclado para seleccionar un modo.
- Oprima el icono "OK" para activar el modo.
- Para apagar un modo, gire el anillo externo hasta que el icono se ilumine de forma intermitente en verde, y luego oprima el icono "OK".
- El icono cambia a azul lo que indica que el modo se ha apagado.

### Apague los jets de aire

- Oprima el icono de encendido para apagar el sistema de aire.
- Oprima el icono de encendido para apagar el sistema de aire.

### Ciclo de purga manual (opcional)

**NOTA:** Siga estos pasos para purgar agua manualmente del sistema de aire.

- Después de parar el sistema de aire y vaciar la bañera, gire el anillo externo al icono de purga.
- Cuando el icono de purga parpadee en azul, oprima el icono "OK".
- El icono de purga parpadea en verde cuando se inicia el modo de purga manual. El sistema de aire funciona a baja velocidad para soplar el agua residual de la tubería de aire.
- Después de 2 minutos, el sistema de aire deja de funcionar automáticamente.

## Cuidado y limpieza

Para obtener los mejores resultados tenga presente lo siguiente al limpiar su bañera KOHLER:

- Siempre pruebe la solución de limpieza en un área oculta antes de aplicarla a toda la superficie.
- Limpie con un paño las superficies, y enjuague completa e inmediatamente con agua después de haber aplicado algún limpiador. Enjuague y seque las superficies cercanas que hayan recibido salpicaduras.
- No deje mucho tiempo los limpiadores en las superficies.
- Utilice una esponja humedecida o un paño suave y húmedo. Para limpiar las superficies nunca utilice materiales abrasivos, como cepillos o estropajos de tallar.
- La técnica de limpieza ideal es enjuagar muy bien y secar el agua de la superficie después de cada uso.
- Utilice un cepillo de nylon suave en las superficies antideslizantes. Asegúrese de utilizar un limpiador soluble en agua (que se disuelva al 100% en el agua).
- **No utilice productos de limpieza en polvo, a menos que estén completamente disueltos en agua.** Las sustancias sólidas pueden obstruir los jets de aire.
- **No utilice soluciones de limpieza concentradas que contengan blanqueador o amoníaco.** Las soluciones de limpieza activas químicamente pueden dañar la superficie de la bañera.
- **No utilice disolventes ni limpiadores abrasivos en las superficies de los jets de aire.** Los disolventes y los productos de limpieza abrasivos pueden dañar la superficie de los jets de aire.

### Mantenimiento de los jets de aire

- Si es necesario limpiar los jets de aire debido a depósitos minerales del agua dura, moje un trapo suave, no abrasivo, con vinagre blanco y limpie los orificios del jet de aire que estén tapados. Enjuague inmediatamente el área con agua limpia para evitar la exposición prolongada de la superficie del jet de aire al vinagre.
- Llene la bañera de agua hasta la fila superior de jets de aire. Vacíe la bañera y oprima el botón de purga.

Para obtener información detallada de limpieza y de productos a considerar, visite [www.kohler.com/clean](http://www.kohler.com/clean). Para solicitar información sobre el cuidado y la limpieza, llame al 1-800-456-4537.

## Haga circular agua para limpiar el sistema

**NOTA:** Limpie el sistema de hidromasaje dos o más veces al mes, de acuerdo al uso.

- Gire los anillos decorativos de los jets completamente hacia la derecha para reducir la inducción de aire.
- Llene la bañera de hidromasaje con agua caliente a un nivel por lo menos 2" (51 mm) arriba del jet más alto.
- Añada al agua 2 cucharaditas (10 ml) de detergente para lavaplatos automático que produzca poca espuma y 20 onzas (590 ml) de blanqueador para uso doméstico (hipoclorito de sodio al 5 % a 6 %).
- Haga funcionar la bañera de hidromasaje de 5 a 10 minutos. Apague la bañera de hidromasaje y vacíela.
- Si lo desea, enjuague las superficies de la bañera con agua.
- Enjuague las superficies de los jets, la grifería, las agarraderas y el desagüe y seque con un paño suave.

## Resolución de problemas

**AVISO:** El propósito de esta sección es solo ayuda general. Todos los problemas eléctricos deben ser resueltos por un representante de servicio autorizado de Kohler Co. o un electricista calificado. Para obtener el servicio de garantía, llame 1-800-4KOHLER desde EE.UU. y Canadá, o al 001-800-456-4537 desde México.

## Resolución de problemas (cont.)

**NOTA:** El número de modelo del producto está impreso en una etiqueta en el lado de la bomba/el soplador de la bañera.

**NOTA:** Para consultar información sobre piezas de repuesto, visite la página de su producto en [www.kohler.com/serviceparts](http://www.kohler.com/serviceparts).

### Sistema de hidromasaje

Síntomas	Causas probables	Acción recomendada
1. El teclado del usuario no se ilumina cuando se oprime el icono de encendido o (si corresponde) se gira el anillo externo.	<p>A. El control no tiene alimentación eléctrica.</p> <p>B. El GFCI o el RCD se ha disparado.</p> <p>C. El arnés de cables del teclado del usuario al control está suelto, desconectado o dañado.</p> <p>D. El teclado del usuario no funciona.</p> <p>E. El control no funciona.</p>	<p>A. Verifique el cableado y conecte el suministro eléctrico.</p> <p>B. Oprima el botón de restablecer el GFCI o el RCD.</p> <p>C. Revise que los cables estén correctamente conectados. Cambie el arnés de cableado de ser necesario.</p> <p>D. Cambie el teclado del usuario.</p> <p>E. Cambie el control.</p>
2. El motor arranca, pero no todos los jets funcionan.	<p>A. El jet está cerrado.</p> <p>B. El jet no está instalado correctamente.</p> <p>C. Los jets están tapados.</p>	<p>A. Gire la guarnición del jet hacia la izquierda para abrirlo.</p> <p>B. Vuelva a instalar el jet; revise que el arosello no esté dañado.</p> <p>C. Elimine la obstrucción.</p>
3. El teclado del usuario está iluminado, pero no responde a los iconos ni al anillo externo.	<p>A. El programa de control está bloqueado.</p> <p>B. El arnés de cables del teclado del usuario del soplador al control está suelto, desconectado o dañado.</p> <p>C. El teclado del usuario no funciona.</p> <p>D. El control no funciona.</p>	<p>A. Oprima el botón de restablecer el GFCI o el RCD.</p> <p>B. Revise que los cables estén correctamente conectados. Cambie el arnés de cableado de ser necesario.</p> <p>C. Cambie el teclado del usuario.</p> <p>D. Cambie el control.</p>
4. Al encender la unidad, la barra indicadora del teclado del usuario continúa en modo de búsqueda.	<p>A. El programa de control está bloqueado.</p> <p>B. El arnés de cables del teclado del usuario del soplador al control está suelto, desconectado o dañado.</p> <p>C. El teclado del usuario no funciona.</p> <p>D. El control no funciona.</p>	<p>A. Oprima el botón de restablecer el GFCI o el RCD.</p> <p>B. Revise que los cables estén correctamente conectados. Cambie el arnés de cableado de ser necesario.</p> <p>C. Cambie el teclado del usuario.</p> <p>D. Cambie el control.</p>
5. El teclado del usuario está iluminado, pero la bomba no arranca.	<p>A. El cable de suministro eléctrico de la bomba al control está suelto, desconectado o dañado.</p> <p>B. La bomba no funciona.</p> <p>C. El control no funciona.</p>	<p>A. Revise que los cables estén correctamente conectados.</p> <p>B. Cambie la bomba.</p> <p>C. Cambie el control.</p>

## Resolución de problemas (cont.)

### Sistema de hidromasaje

Síntomas	Causas probables	Acción recomendada
6. El motor funciona pero la bomba no hace el cebado (se produce cavitación).	<p><b>A.</b> Se ha elevado demasiado la bomba con cuñas.</p> <p><b>B.</b> Pequeña fuga de aire en la entrada de la bomba.</p> <p><b>C.</b> El motor/la bomba no funciona.</p> <p><b>D.</b> El control no funciona.</p>	<p><b>A.</b> Baje la bomba/el control al nivel del subpiso.</p> <p><b>B.</b> Apriete con firmeza las tuercas en el lado de admisión de la bomba.</p> <p><b>C.</b> Cambie el motor/la bomba.</p> <p><b>D.</b> Cambie el control.</p>
7. La bomba se detiene antes de funcionar durante 18 minutos.	<p><b>A.</b> El GFCI o el RCD se ha disparado.</p> <p><b>B.</b> La succión está obstruida.</p> <p><b>C.</b> Los jets están tapados.</p> <p><b>D.</b> El motor se sobrecalentó y se activó el dispositivo de protección.</p>	<p><b>A.</b> Identifique la causa de la falla y corríjala. Oprima el botón de restablecer el interruptor GFCI o RCD.</p> <p><b>B.</b> Elimine la obstrucción.</p> <p><b>C.</b> Elimine la obstrucción.</p> <p><b>D.</b> Revise si hay obstrucciones en la succión y/o en los jets. Elimine la obstrucción y deje enfriar el motor.</p>
8. La bomba no se apaga automáticamente después de 22 minutos.	<p><b>A.</b> El temporizador de 20 minutos ha sido desactivado inadvertidamente.</p>	<p><b>A.</b> Consulte el manual de servicio.</p>
9. La bomba no se apaga cuando se oprime el icono de encendido en el teclado del usuario.	<p><b>A.</b> El teclado del usuario no funciona.</p> <p><b>B.</b> El control no funciona.</p>	<p><b>A.</b> Cambie el teclado del usuario.</p> <p><b>B.</b> Cambie el control.</p>
10. La bomba funciona, pero la función de velocidad variable no funciona.	<p><b>A.</b> El motor/la bomba no funciona.</p> <p><b>B.</b> El control no funciona.</p>	<p><b>A.</b> Cambie el motor/la bomba.</p> <p><b>B.</b> Cambie el control.</p>
11. El agua de la bañera se enfría mientras la bomba está funcionando.	<p><b>A.</b> La temperatura del agua excede 104°F (40°C).</p> <p><b>B.</b> El calentador se ha apagado ya sea manual o automáticamente.</p> <p><b>C.</b> El cable del calentador al control está suelto, desconectado o dañado.</p> <p><b>D.</b> El calentador no funciona.</p> <p><b>E.</b> El control no funciona.</p>	<p><b>A.</b> Deje enfriar el agua de la bañera.</p> <p><b>B.</b> Encienda el calentador.</p> <p><b>C.</b> Revise que los cables estén correctamente conectados.</p> <p><b>D.</b> Cambie el calentador.</p> <p><b>E.</b> Cambie el control.</p>
12. Funcionamiento ruidoso.	<p><b>A.</b> Las cintas flejadoras de la bomba no han sido cortadas.</p> <p><b>B.</b> El arosello del jet está mal colocado o seco (rechina).</p>	<p><b>A.</b> Corte las cintas flejadoras con tijeras para chapa.</p> <p><b>B.</b> Retire el jet, cambie y lubrique el arosello, y vuelva a instalar el jet.</p>

## Resolución de problemas (cont.)

### Sistema de aire

Síntomas	Causas probables	Acción recomendada
1. El teclado no se ilumina cuando se oprime el icono de encendido o cuando se gira el anillo externo.	A. El control no tiene alimentación eléctrica.	A. Verifique el cableado y conecte el suministro eléctrico.
	B. El interruptor de circuito con pérdida a tierra (GFCI) o el dispositivo de corriente residual (RCD) se ha disparado.	B. Oprima el botón de restablecer el GFCI o el RCD. Si se dispara otra vez, consulte "El interruptor de circuito con pérdida a tierra (GFCI) o el dispositivo de corriente residual (RCD) se dispara al encender la bañera".
	C. El arnés de cables del teclado del usuario al control está suelto, desconectado o dañado.	C. Revise que los cables estén correctamente conectados. Cambie el arnés de cableado de ser necesario.
	D. El teclado del usuario no funciona.	D. Cambie el teclado del usuario.
	E. El control no funciona.	E. Cambie el control.
2. El interruptor de circuito con pérdida a tierra (GFCI) o el dispositivo de corriente residual (RCD) se dispara al encender la bañera.	A. El arnés de cables eléctricos está mojado o dañado.	A. Revise si las conexiones están mojadas. Seque las conexiones y repare la fuga. Verifique que el aislamiento o el conector no estén dañados. Cambie el arnés de cables si está dañado.
	B. El cableado eléctrico a la caja de empalmes de la bañera está mojado o dañado, o el amperaje no es adecuado.	B. Haga que un electricista calificado diagnostique y corrija el problema conforme a los códigos pertinentes eléctricos y de construcción; o aumente el amperaje a 20 A.
	C. El cableado eléctrico al cable de suministro eléctrico de la bañera está mojado o dañado.	C. Haga que un electricista calificado diagnostique y corrija el problema de acuerdo a los códigos pertinentes eléctricos y de construcción.
	D. El motor soplador tiene un corto interno.	D. Cambie el motor soplador.
	E. El control tiene un corto interno.	E. Cambie el control.
3. El teclado del usuario está iluminado, pero no responde a los iconos ni al anillo externo.	A. El programa de control está bloqueado.	A. Oprima el botón de restablecer el GFCI o el RCD.
	B. El arnés de cableado del enchufe P5 del teclado del usuario al control está suelto, desconectado o dañado.	B. Revise que los cables estén correctamente conectados. Cambie el arnés de cableado de ser necesario.
	C. El teclado del usuario no funciona.	C. Cambie el teclado del usuario.
	D. El control no funciona.	D. Cambie el control.
4. El motor soplador no arranca.	A. El cable de alimentación eléctrica del motor soplador al control está suelto, desconectado o dañado.	A. Revise que los cables estén correctamente conectados.
	B. El motor soplador no funciona.	B. Cambie el motor soplador.
	C. El control no funciona.	C. Cambie el control.



## Resolución de problemas (cont.)

### Sistema de aire

Síntomas	Causas probables	Acción recomendada
5. El motor soplador deja de funcionar y no puede volver a encenderse de inmediato. El teclado está iluminado.	A. El motor soplador se ha sobrecalentado y se ha activado el dispositivo de protección.	A. Verifique que no haya obstrucciones en la entrada de aire. Elimine la obstrucción y deje enfriar el motor. Consulte "El teclado está iluminado, pero no responde a los iconos o al anillo externo" y "El motor soplador no arranca".
6. El motor soplador arranca, pero no todos los jets de aire burbujan.	A. La velocidad del motor soplador es demasiado baja.	A. Aumente el valor establecido de velocidad al motor soplador.
	B. La entrada de aire al motor soplador está tapada.	B. Limpie la entrada de aire al motor soplador.
	C. El motor soplador no funciona.	C. Cambie el motor soplador.
	D. La descarga del motor soplador está obstruida.	D. Elimine la obstrucción.
	E. Los jets de aire están tapados.	E. Utilice un cepillo interdental pequeño y vinagre blanco. Sumerja el cepillo en el vinagre, cepille el orificio, enjuague el cepillo en agua limpia y luego utilice el cepillo enjuagado para enjuagar el orificio.
	F. Algunas zonas están cerradas.	F. Ponga todas las zonas en funcionamiento.
7. El motor soplador funciona pero no se forman burbujas de aire.	A. La entrada de aire al soplador está tapada.	A. Limpie la entrada de aire al motor soplador.
	B. Los jets de aire están obstruidos.	B. Utilice un cepillo interdental pequeño y vinagre blanco. Sumerja el cepillo en el vinagre, cepille el orificio, enjuague el cepillo en agua limpia y luego utilice el cepillo enjuagado para enjuagar el orificio.
	C. El motor soplador no funciona.	C. Cambie el motor soplador.
	D. El control no funciona.	D. Cambie el control.
8. El motor soplador funciona, se forman burbujas de aire, los controles de zona funcionan, pero la función de velocidad variable no funciona.	A. La entrada de aire al soplador está tapada.	A. Limpie la entrada de aire al soplador.
	B. El arnés de cableado está suelto, desconectado o dañado.	B. Revise que los cables estén correctamente conectados. Cambie el arnés de cableado de ser necesario.
	C. El teclado del usuario no funciona.	C. Cambie el teclado del usuario.
	D. El motor soplador no funciona.	D. Cambie el motor soplador.
	E. El control no funciona.	E. Cambie el control.
9. El motor soplador no se apaga cuando se oprime el icono de encendido/apagado en el teclado.	A. El teclado del usuario no funciona.	A. Cambie el teclado del usuario.
	B. El arnés de cableado está suelto, desconectado o dañado.	B. Revise que los cables estén correctamente conectados. Cambie el arnés de cableado de ser necesario.
	C. El control no funciona.	C. Cambie el control.

## Resolución de problemas (cont.)

### Sistema de aire

Síntomas	Causas probables	Acción recomendada
10. Una zona no produce burbujas de aire pero otra zona funciona con normalidad.	A. La zona no está seleccionada.	A. Seleccione la zona de acuerdo a las instrucciones en la sección "Instrucciones de funcionamiento".
	B. La válvula de mariposa no funciona.	B. Cambie la válvula de mariposa.
	C. El arnés de cableado está suelto, desconectado o dañado.	C. Revise que los cables estén correctamente conectados. Cambie el arnés de cableado de ser necesario.
	D. El teclado del usuario no funciona.	D. Cambie el teclado del usuario.
	E. El control no funciona.	E. Cambie el control.
11. El modo de intensidad no funciona.	A. El teclado del usuario no funciona.	A. Cambie el teclado del usuario.
	B. El control no funciona.	B. Cambie el control.
12. Se ha derramado agua o se han producido daños bajo la bañera.	A. El desagüe o el rebosadero tienen fugas.	A. Repare o cambie el ensamblaje del desagüe de acuerdo a las instrucciones del fabricante.
	B. La pared, la cubierta, y/o la puerta de la ducha están mal selladas.	B. Aplique sellador de silicona en las juntas entre la bañera y la pared, la cubierta o la puerta.
	C. Tubería o conductos de aire agrietados.	C. Comuníquese con Kohler Co. mediante la información en la página posterior.
13. La bañera no se purga automáticamente.	A. Los cables de los sensores de nivel están desconectados.	A. Conecte los cables de los sensores de nivel.

## Garantía

### GARANTÍA LIMITADA DE UN AÑO

Se garantizan los productos de plomería KOHLER contra defectos de material y mano de obra durante un año a partir de la fecha de instalación.

Kohler Co., a su criterio, reparará, reemplazará o realizará los ajustes pertinentes en los casos en que la inspección realizada por Kohler Co. determine que dichos defectos hayan ocurrido durante el uso normal en el transcurso de un (1) año a partir de la fecha de instalación. Kohler Co. no se hace responsable de costos de desinstalación o de instalación. **El uso de limpiadores de inodoro que se colocan dentro del tanque anula la garantía.**

Para obtener el servicio de garantía, comuníquese con Kohler Co. a través de su distribuidor, contratista de plomería, centro de remodelación o distribuidor por Internet, o escriba a Kohler Co., Atención: Customer Care Center, 444 Highland Drive, Kohler, WI 53044, EE.UU., o llame al 1-800-4-KOHLER (1-800-456-4537) desde los EE.UU. y Canadá, o al 001-800-456-4537 desde México, o visite [www.kohler.com](http://www.kohler.com) desde los EE.UU., [www.ca.kohler.com](http://www.ca.kohler.com) desde Canadá, o [www.mx.kohler.com](http://www.mx.kohler.com) en México.

**TODA GARANTÍA IMPLÍCITA, INCLUIDA LA DE COMERCIALIZACIÓN E IDONEIDAD DEL PRODUCTO PARA UN USO DETERMINADO, SE LIMITA EXPRESAMENTE A LA DURACIÓN DE ESTA GARANTÍA. KOHLER CO. Y/O EL VENDEDOR DESCARGAN TODA RESPONSABILIDAD POR CONCEPTO DE DAÑOS PARTICULARES, INCIDENTALES O INDIRECTOS.** Algunos estados/provincias no permiten limitaciones en cuanto a la duración de una garantía implícita o a la exclusión o limitación de daños particulares, incidentales o indirectos, por lo que es posible que estas limitaciones y exclusiones no se apliquen a su caso. Esta garantía le otorga ciertos derechos legales específicos. Además, usted también puede tener otros derechos que varían de estado a estado y de provincia a provincia.

## **Garantía (cont.)**

Esta es la garantía exclusiva por escrito de Kohler Co.

## **Garantía**

### **Para México**

KOHLER CO.

Se recomienda que al momento de la compra, se verifique que todos los accesorios y componentes estén completos en esta caja.

Se garantiza este producto Kohler contra defectos en material y mano de obra durante un (1) año a partir de la fecha de compra que aparezca en la factura o en el recibo.

1. Kohler Co. prestará servicio únicamente a los productos comercializados a través de sus distribuidores autorizados.
2. Para obtener el servicio de garantía, favor de presentar la factura de compra y la garantía correspondiente.
3. Kohler Co., a través de sus distribuidores autorizados, se compromete a reparar el producto defectuoso o, cuando la reparación no sea posible, reemplazarlo por uno nuevo o por un modelo equivalente (en caso de que el producto haya sido descontinuado) sin ningún cargo al consumidor.
4. El tiempo de reparación no excederá seis (6) semanas a partir de la fecha de recepción del producto.
5. Se recomienda al consumidor que conserve el recibo o la factura de compra como protección adicional, pues el mismo puede sustituir a la garantía en caso de que exista discrepancia en cuanto a la validez de la misma.

### **EXCEPCIONES Y RESTRICCIONES**

La garantía no tendrá validez en los siguientes casos:

1. Cuando el producto no se utilice conforme a las instrucciones de uso y funcionamiento que se incluyen en el manual del usuario o en las instrucciones de instalación, y cuando no observen las recomendaciones y las advertencias provistas.
2. Cuando el producto se haya modificado o desmantelado parcial o totalmente, o manipulado de manera negligente y, como consecuencia, haya sufrido daños atribuibles al consumidor, a personas o a herrajes no autorizados por Kohler Co.
3. Esta garantía no cubre los daños que resulten de desastres naturales, tales como incendios o casos de fuerza mayor, como inundaciones, terremotos, tormentas eléctricas, etc. Para obtener una lista de distribuidores cerca de usted y así hacer valer sus derechos bajo esta garantía, llame al 001-800-456-4537.

KOHLER CO., KOHLER, WI 53044 U.S.A.

### **IMPORTADOR:**

COMERCIALIZADORA INTERCERAMIC, S.A. DE C.V.

AV. CARLOS PACHECO NO. 7200, COL. MADERA 65

CHIHUAHUA, CHIH., MÉXICO C.P. 31060

R.F.C. CIN141022IE9

TEL: 52 (614) 429-11-11

### **IMPORTADOR:**

GAMA MATERIALES Y ACEROS, S.A. DE C.V.

AVE. LOS ÁNGELES NO. 1800

COL. VALLE DEL NOGALAR, SAN NICOLÁS DE LOS GARZA

N.L. MÉXICO

**Garantía (cont.)**

R.F.C. GMA901220U11

TEL: 81-1160-5500







USA/Canada: 1-800-4KOHLER

México: 001-800-456-4537

[kohler.com](http://kohler.com)

THE BOLD LOOK  
OF **KOHLER**®

©2016 Kohler Co.

1208018-2-D