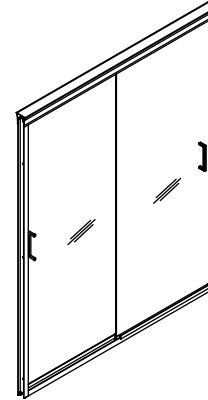


Features

- CleanCoat® glass coating
- Continuous door panel guide mechanism for smooth, quiet sliding action
- Out-of-plumb adjustability allows for easy installation
- Stainless steel hardware prevents rusting or corrosion
- Inside and outside C-shaped handles
- Smooth, easy-to-clean wall jambs
- 1/4" (6 mm) thick tempered glass

SLIDING SHOWER DOOR K-702218 ALSO K-702220



Codes/Standards Applicable

Specified model meets or exceeds the following:

- ANSI Z97.1 (tempered glass)

Colors/Finishes

- SHP: Polished Silver

Specified Model

Model	Description	Application	Glass Thickness	Frame Finishes/Colors
K-702218-L	Sliding shower door	Shower – left-drain (K-9053)	1/4" (6 mm)	<input type="checkbox"/> SHP
K-702220-L	Sliding shower door	Shower – right-drain (K-9054)	1/4" (6 mm)	<input type="checkbox"/> SHP

Product Specification

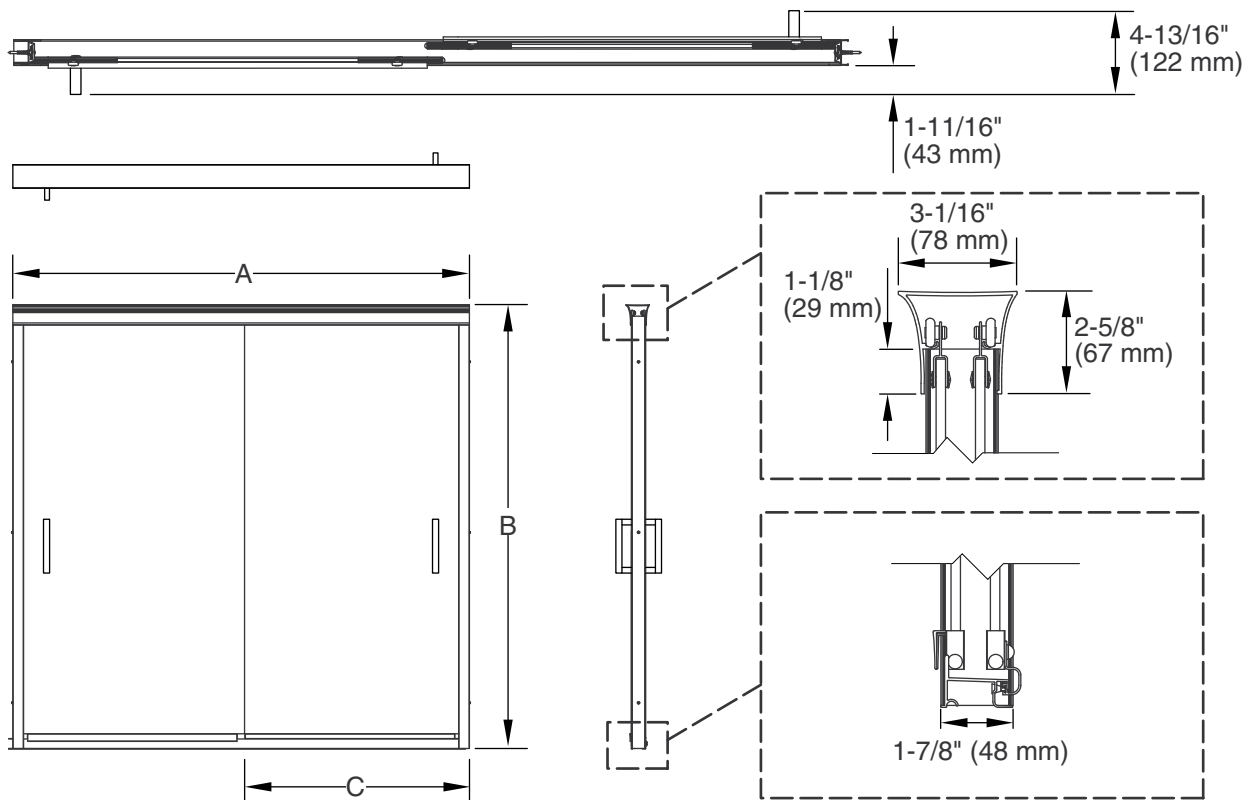
Bypass shower door shall have 1/4" (6 mm) thick tempered safety glass and CleanCoat glass coating. Door shall have out-of-plumb adjustability for easy installation, stainless steel hardware to prevent rusting or corrosion, and inside and outside C-shaped handles. Door shall have smooth, easy-to-clean wall jambs. Door shall have a continuous door panel guide mechanism for smooth, quiet sliding action. Door shall be Kohler Model K-_____-_____-_____.

FLUENCE®

Installation Notes

Install this product according to the installation guide.

Model	A (Max)	B	C (Walk Through)
K-702218	59-5/8" (1514 mm)	76" (1930 mm)	27-7/8" (708 mm)
K-702220	59-5/8" (1514 mm)	76" (1930 mm)	27-7/8" (708 mm)



Product Diagram