

Sliding Shower Doors

USA/Canada: 1-800-4KOHLER
Mexico: 001-800-456-4537
www.kohler.com

WARNING: Risk of serious injury. Damage prior to installation can result in glass shattering. Inspect the glass and all parts for damage before installation.

WARNING: Risk of serious injury. Improper installation can result in glass shattering. Follow all installation instructions.

NOTICE: Do not touch the edges of the tempered glass with tools or any other hard objects. Do not set the unframed tempered glass directly on the floor or any hard surface.

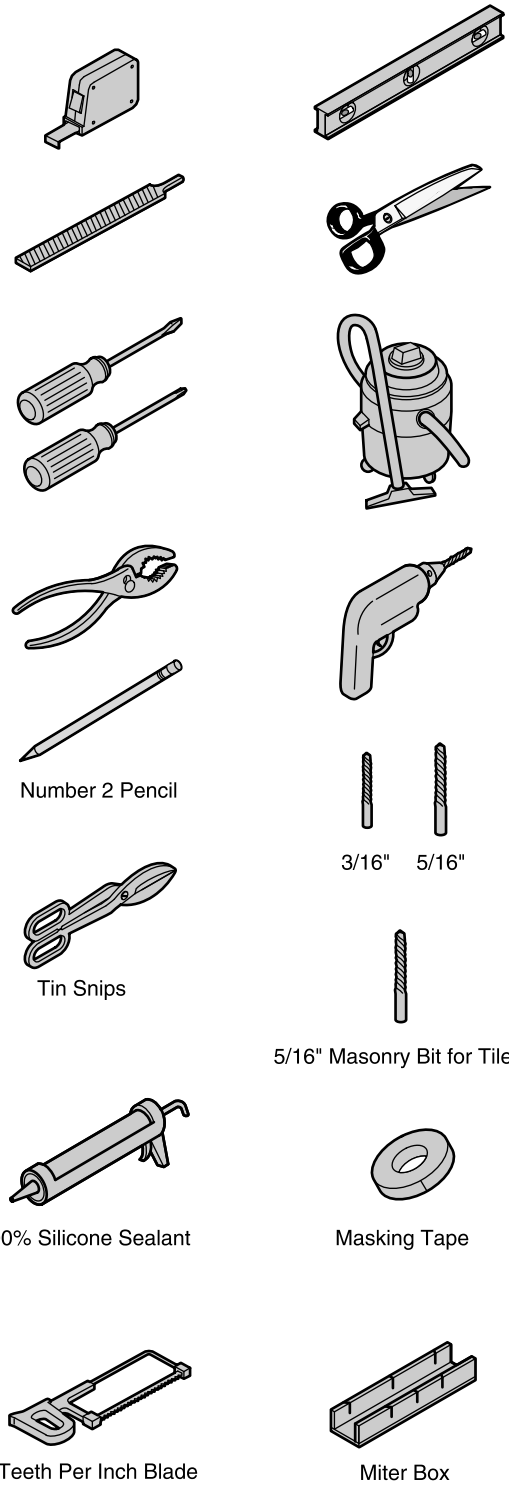
WARNING: Risk of serious injury. Do not cut tempered glass. Tempered glass will shatter if cut.

WARNING: Risk of serious injury. Shower door and side panels can shatter. Regularly inspect the glass and all parts for damage, missing, or loose parts.

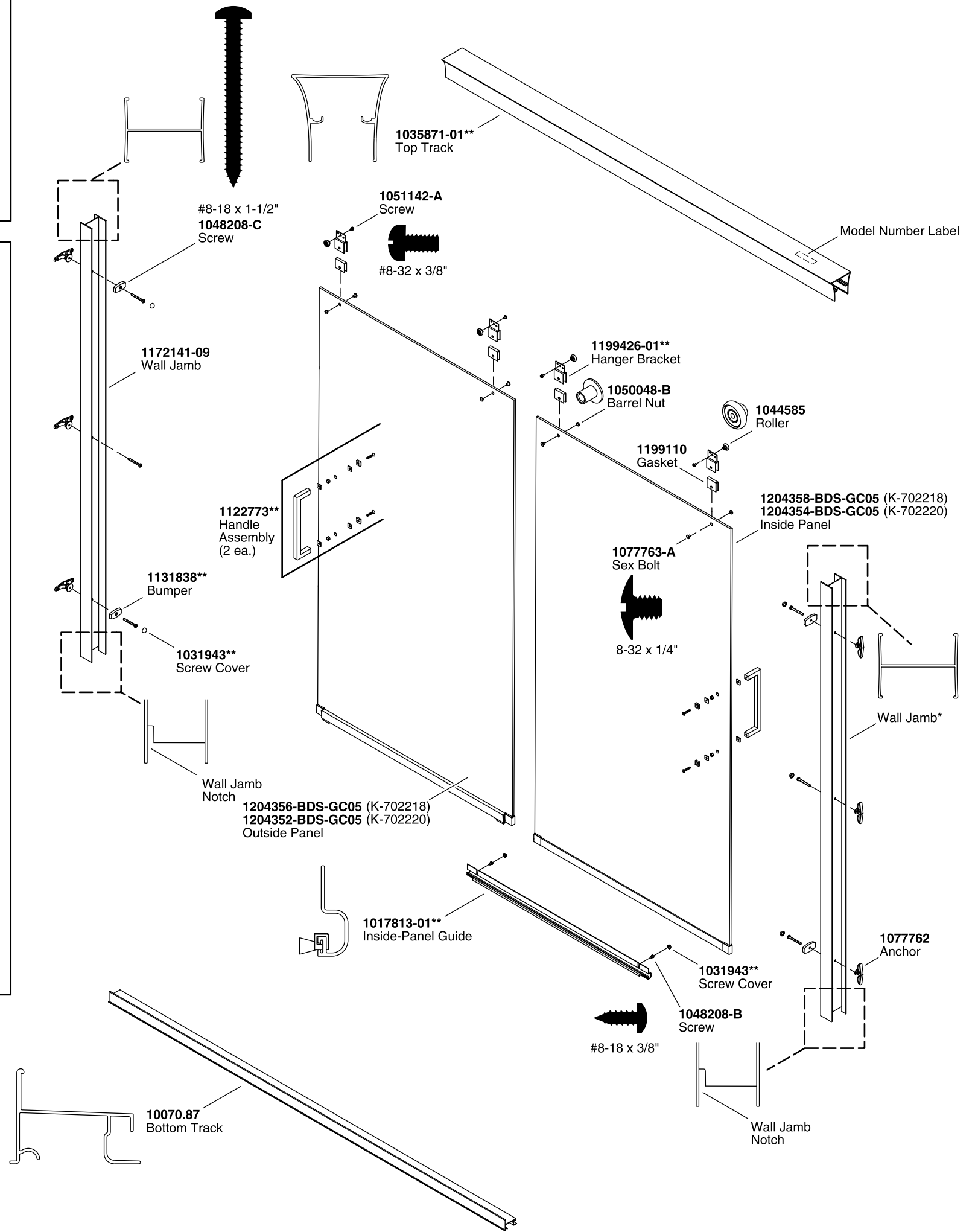
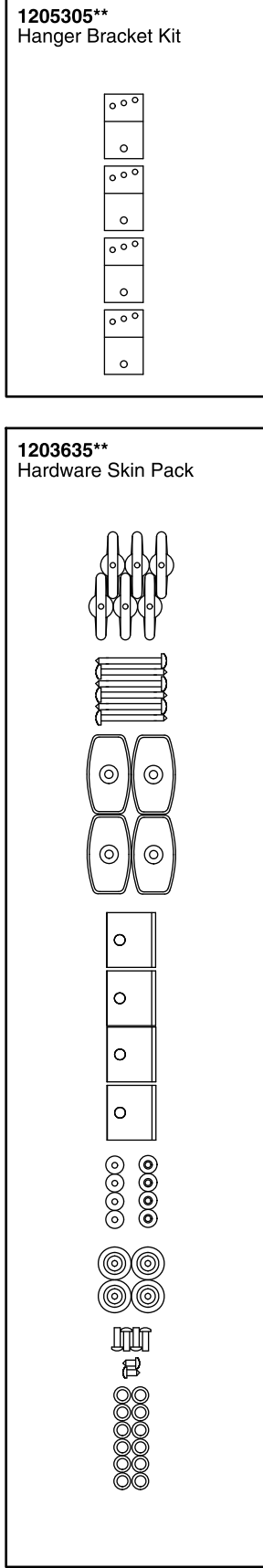
WARNING: Risk of serious injury. Always wear safety glasses while cutting and drilling.

IMPORTANT: Leave this manual for the end user. Read these instructions before installing or using this product.

Required Tools



Parts Identification

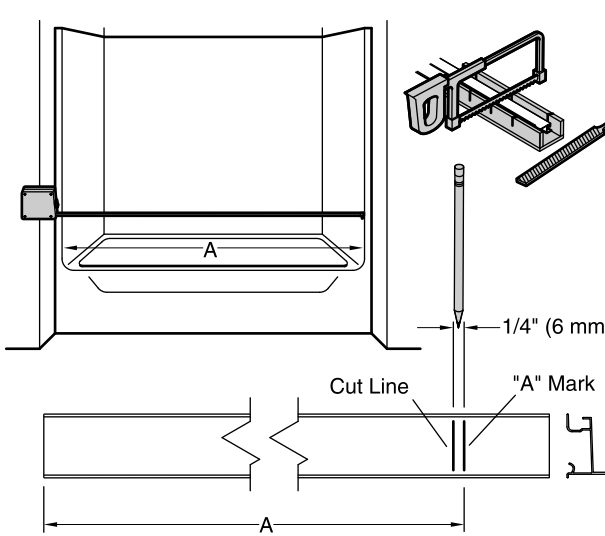


*Call Customer Care Center to order replacement parts.
**Finish/color code must be specified when ordering.
Retain this document for future servicing.
Record model number from box for reference.

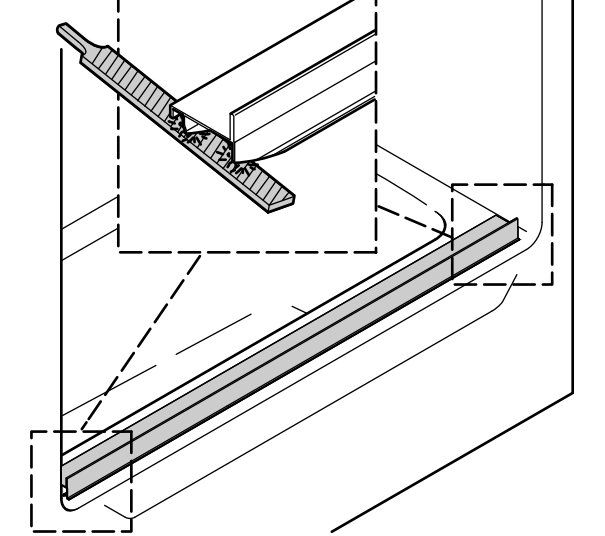
Model Number: _____

CAUTION: Risk of personal injury. Do not cut tempered glass or allow it to come in contact with the floor or other hard surfaces.
IMPORTANT! Do not cut the top track the same length as the bottom track.
Walls must be within 3/8" (10 mm) of plumb.
Cover drain with tape to avoid loss of small parts.
Follow the silicone sealant manufacturer's instructions for application and curing time.

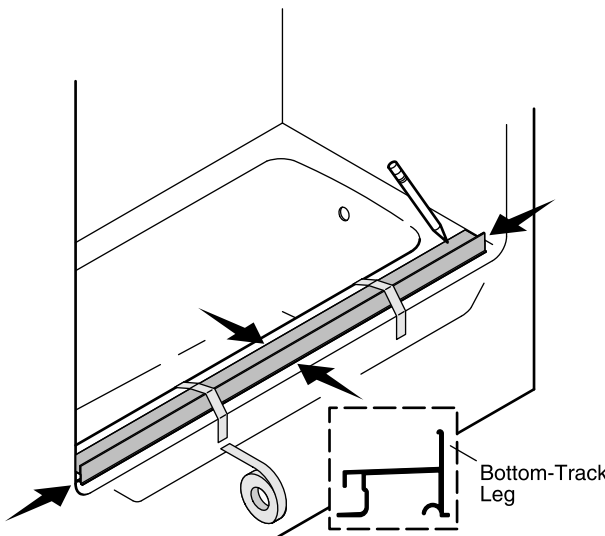
1 Measure distance "A." Subtract 1/4" (6 mm) or the width of a number 2 pencil from "A" and cut the bottom track.



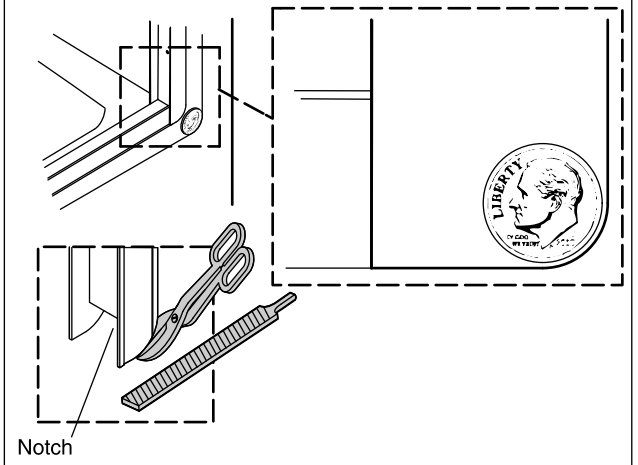
2 Position the bottom track on the center of the ledge. If needed, file the ends to match the corners.



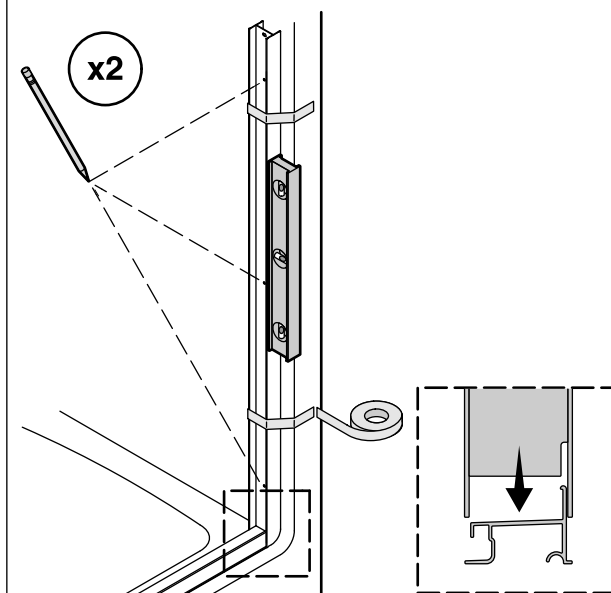
3 Center the bottom track on the ledge with the bottom-track leg to the outside. Tape the bottom track in place and mark the position.



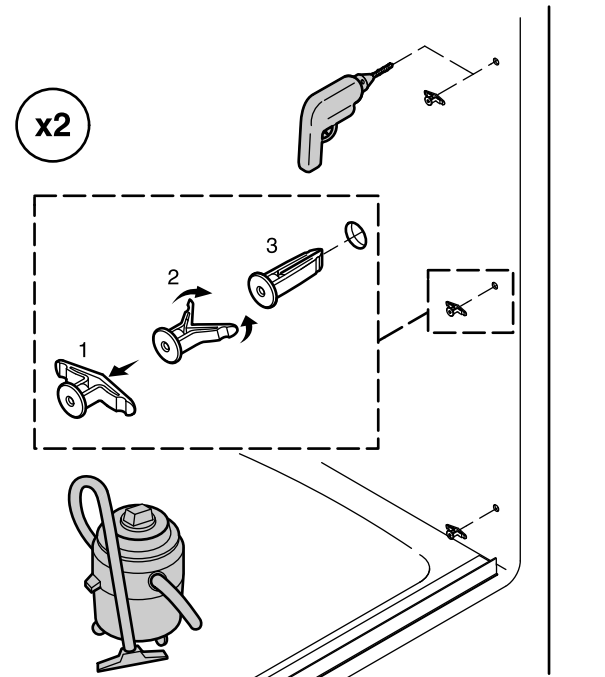
4 Important! The bottom track and wall jamb must sit flat against the shower ledge and the wall. If needed, trim and file the wall jamb. Use a coin to match and to transfer the corner radius of the shower to the wall jamb.



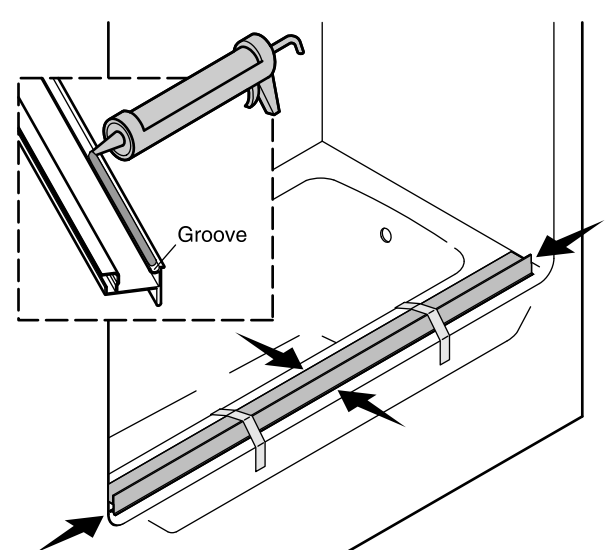
5 Position the wall jambs over the bottom track. Plumb both wall jambs. Mark the screw holes.



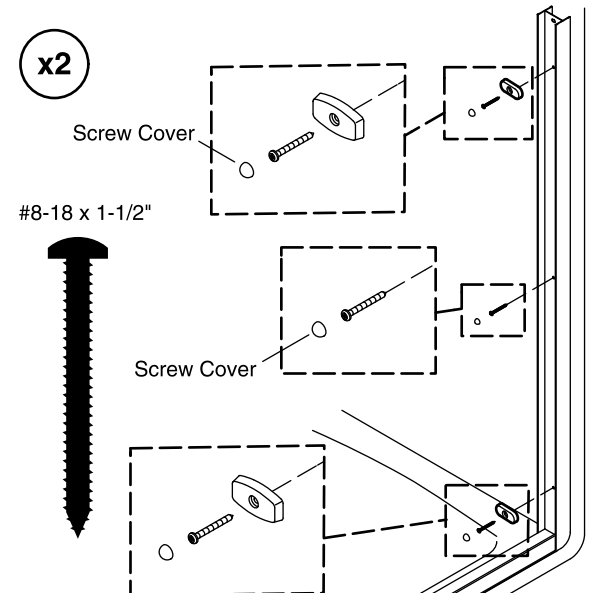
6 Remove the wall jambs. Drill 5/16" holes into the walls and insert the anchors.



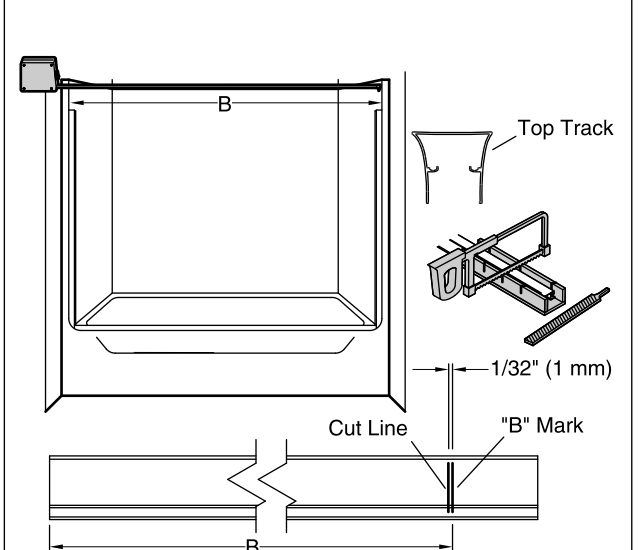
7 Apply 100% silicone sealant in the groove on the underside of the bottom track. Secure the bottom track to the ledge along the marked location.



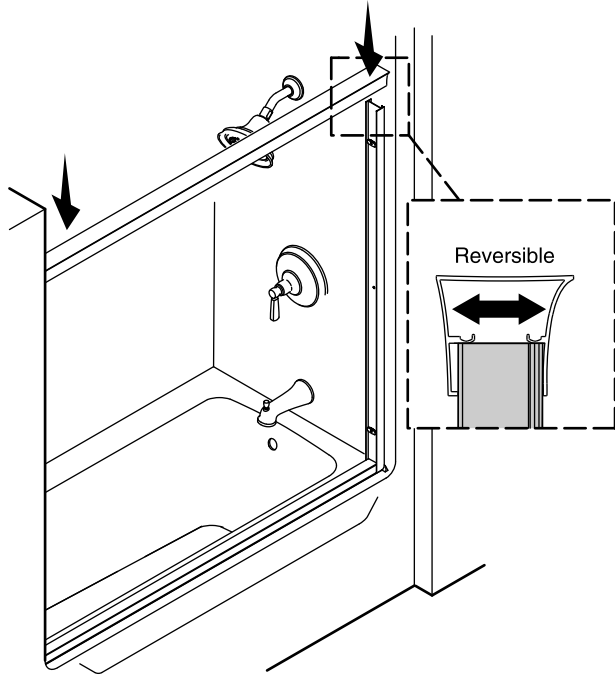
8 Reposition both wall jambs. Secure the wall jambs with screws. Attach a bumper at the top and bottom locations.



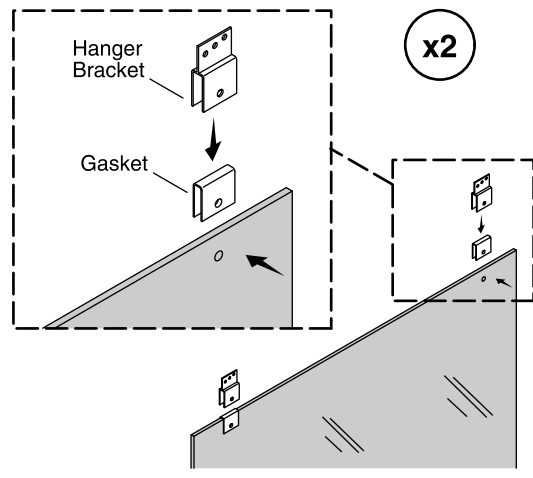
9 Measure distance "B" above the wall jambs. Subtract 1/32" (1 mm) or the width of a saw blade from "B." Mark and cut the top track.



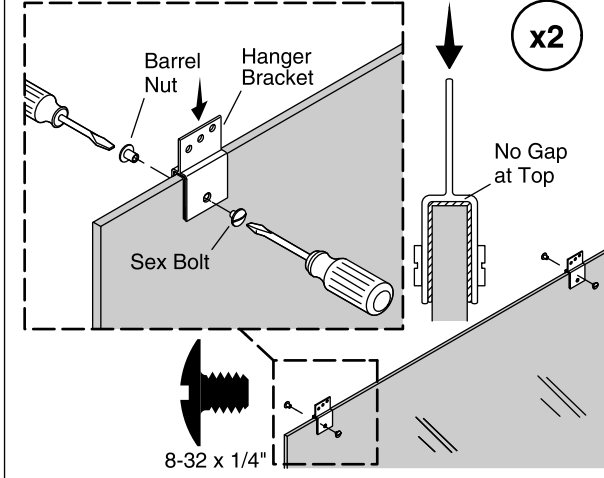
10 Position the top track over the wall jamba. Either side of the top track can face out.



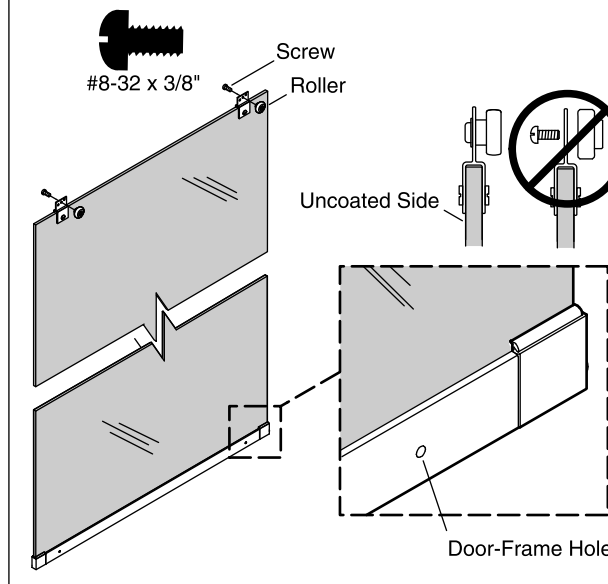
11 For both doors, slide a gasket over the top of the glass panel and into each mounting hole. Press the hanger bracket over the gasket and align the hanger brackets with the mounting holes.



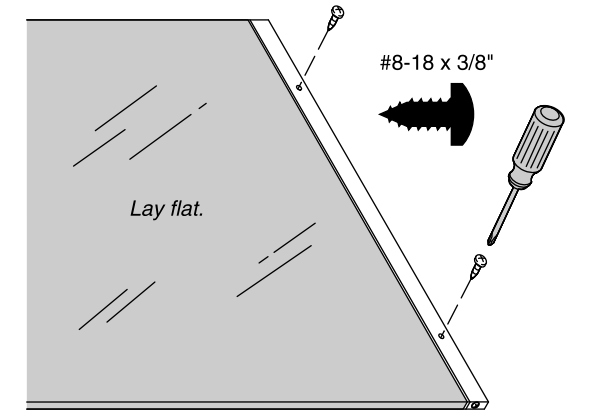
12 While pressing downward on the hanger brackets, use screwdrivers to thread the sex bolt into the barrel nut. Tighten until the hanger brackets are secured firmly in place.



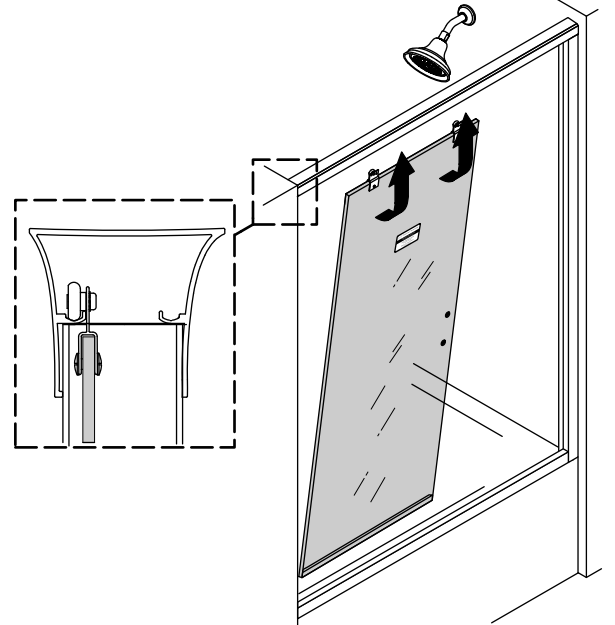
13 On the inside panel, assemble a roller to the middle hole of each hanger bracket. Place the rollers on the same side as the door-frame holes.



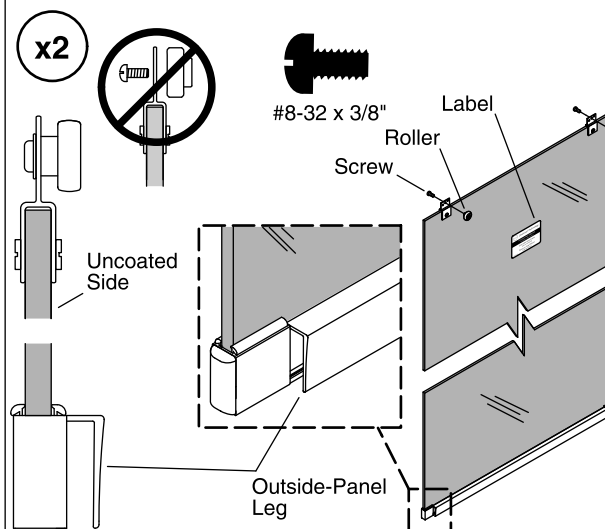
14 Lay the inside panel flat and partially thread the screws into the panel.



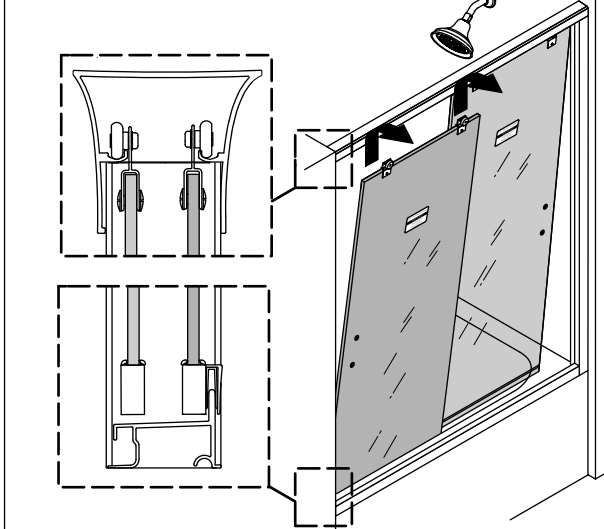
15 Lift the inside panel onto the inside track. The label faces the outside of the shower.



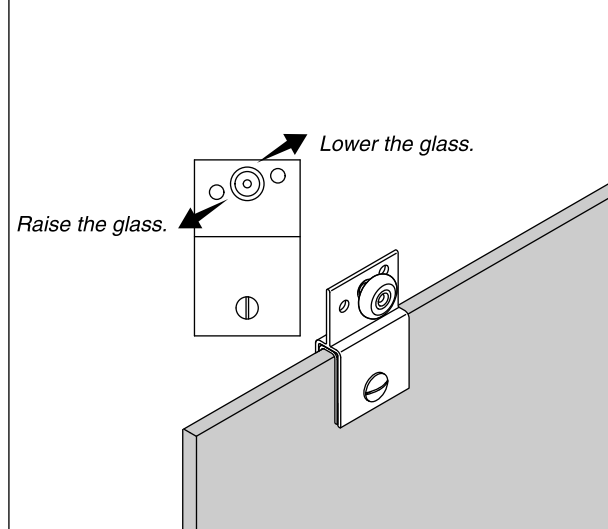
16 On the outside panel, assemble a roller to the middle hole of each hanger bracket. Place the rollers on the same side as the outside-panel leg.



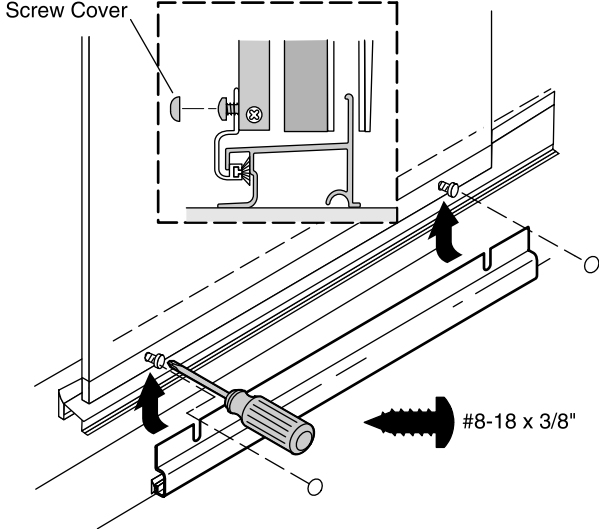
17 Lift the outside panel onto the outside track. The label faces the outside of the shower. The outside-panel leg fits over the bottom-track leg.



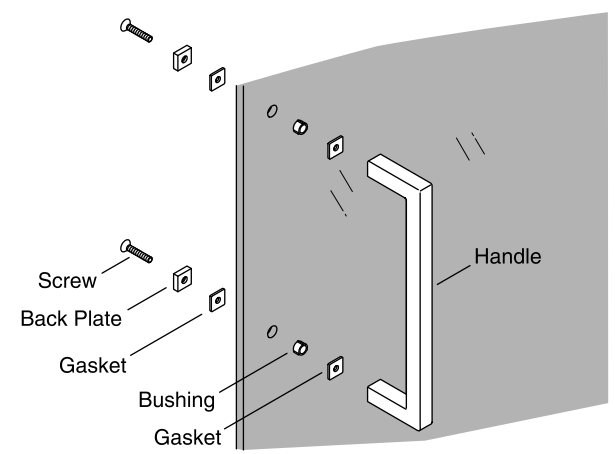
18 If either panel needs adjustment, remove the door and position the rollers in new holes to raise or lower the glass.



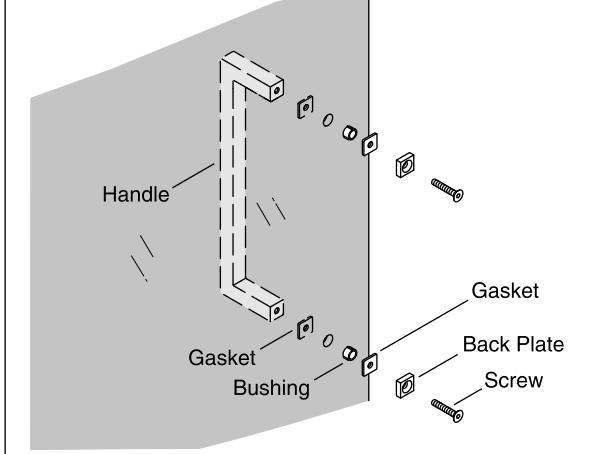
19 Install the inside-panel guide onto the partially threaded screws. The inside-panel guide fits into the bottom-track slot. Install screw covers over the side screws.



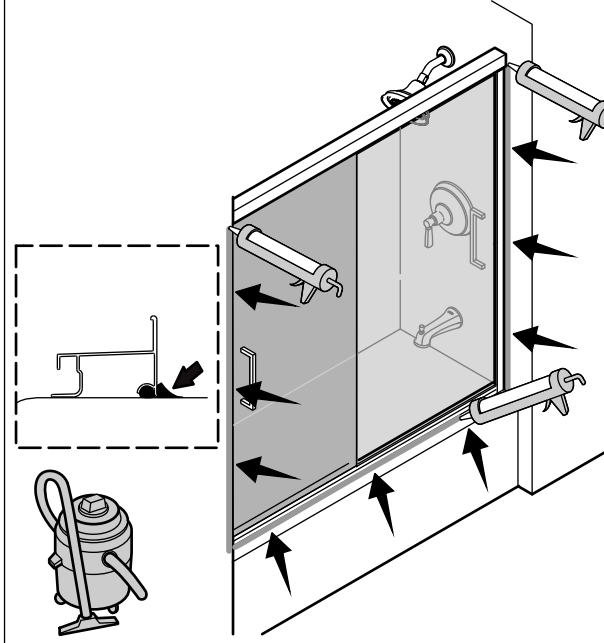
20 On the outside panel, the handle installs on the outside of the shower. Insert the bushings into the door panel holes. Use a hex wrench to assemble the handles as shown. **Do not overtighten!**



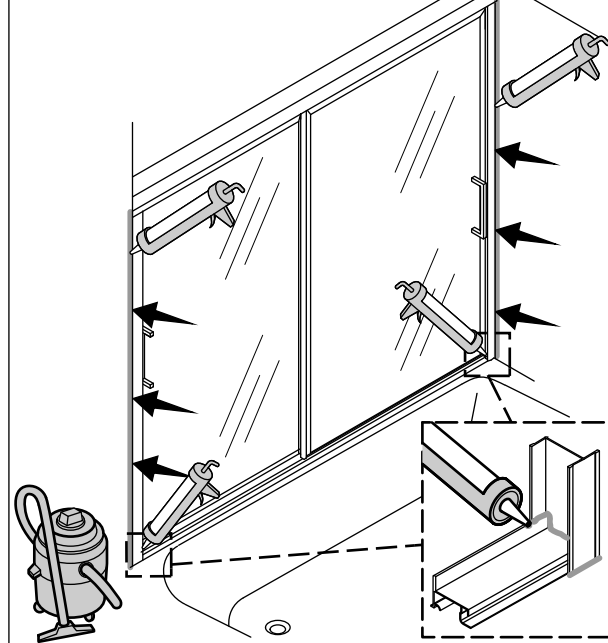
21 On the inside panel, the handle installs on the inside of the shower. Insert the bushings into the door panel holes. Use a hex wrench to assemble the handles as shown. **Do not overtighten!**



22 Outside the shower, use 100% silicone sealant to seal along the entire length of the wall jamba and the bottom track.



23 Inside the shower, use 100% silicone sealant to seal along the entire length of the wall jamba and in the corners where the wall jamba meet the bottom track.



TROUBLESHOOTING

Symptom: Alignment	Recommended Action
1. The top of the door panel is tilted away from the wall.	A. Remove the door panel from the top track and lower the roller that is closest to the wall. See step 18.
2. The bottom of the door panel is tilted away from the wall.	A. Remove the door panel from the top track and raise the roller that is closest to the wall. See step 18.
3. The door panel does not touch the bumper.	A. Determine whether the door panel top or bottom is closer to the wall, and then adjust the roller closest to the wall.
Symptom: Water Leaks	Recommended Action
1. Water leaks between panels.	A. When showering, make sure the inside panel is against the showerhead wall.
2. Water leaks between the wall jamb and the door panel.	A. Adjust the door panel to line up with the wall jamb.
3. Water leaks under the bottom track.	A. Check for proper silicone sealant application. See steps 22 and 23. Apply more silicone sealant in the leak location.
4. Water leaks around the wall jamb area.	A. The notched wall jamb fits over the bottom track to cover any miscut or skewed cuts. Seal as directed to ensure proper watertight seal. See step 23.
Symptom: Operation (open/close)	Recommended Action
1. The outside panel is difficult to move.	A. Ensure a gap exists between the bottom track and the door panel. If no gap exists, lower the rollers to the next hole. B. Ensure the panel is properly engaged over the bottom track. See step 17. C. Ensure the rollers are properly installed. See steps 16 and 17. D. Clean any debris in the top track groove.
2. The inside panel is difficult to move.	A. Ensure a gap exists between the bottom track and the door panel. If no gap exists, lower the rollers to the next hole. B. Ensure the inside-panel guide is properly secured to the bottom frame screws. See step 19. C. Ensure the rollers are properly installed. See steps 13 and 15. D. Clean any debris in the top track groove.

ONE-YEAR LIMITED WARRANTY

KOHLER plumbing products are warranted to be free of defects in material and workmanship for one year from date of installation.

Kohler Co. will, at its election, repair, replace or make appropriate adjustment where Kohler Co. inspection discloses any such defects occurring in normal usage within one (1) year after installation. Kohler Co. is not responsible for removal or installation costs. **Use of in-tank toilet cleaners will void the warranty.**

To obtain warranty service contact Kohler Co. either through your Dealer, Plumbing Contractor, Home Center or E-tailer, or by writing Kohler Co., Attn.: Customer Care Center, 444 Highland Drive, Kohler, WI 53044, USA, or by calling 1-800-4-KOHLER (1-800-456-4537) from within the USA and Canada, and 001-800-456-4537 from within Mexico, or visit www.kohler.com within the USA, www.ca.kohler.com from within Canada, or www.mx.kohler.com in Mexico.

IMPLIED WARRANTIES INCLUDING THAT OF MERCHANTABILITY AND FITNESS FOR A PARTICULAR PURPOSE ARE EXPRESSLY LIMITED IN DURATION TO THE DURATION OF THIS WARRANTY. KOHLER CO. AND/OR SELLER DISCLAIM ANY LIABILITY FOR SPECIAL, INCIDENTAL OR CONSEQUENTIAL DAMAGES. Some states/provinces do not allow limitations on how long an implied warranty lasts, or the exclusion or limitation of special, incidental or consequential damages, so these limitations and exclusions may not apply to you. This warranty gives you specific legal rights. You may also have other rights which vary from state/province to state/province.

This is Kohler Co.'s exclusive written warranty.