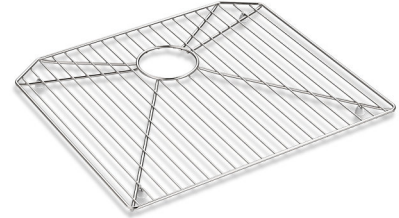


Features

- Comes included with the K-5282-NA Strive kitchen sink.
- Helps protect sink surface from daily wear.
- Dishwasher safe.
- Rubber feet provide added protection.

Material

- Durable stainless-steel construction.



Codes/Standards


None Applicable

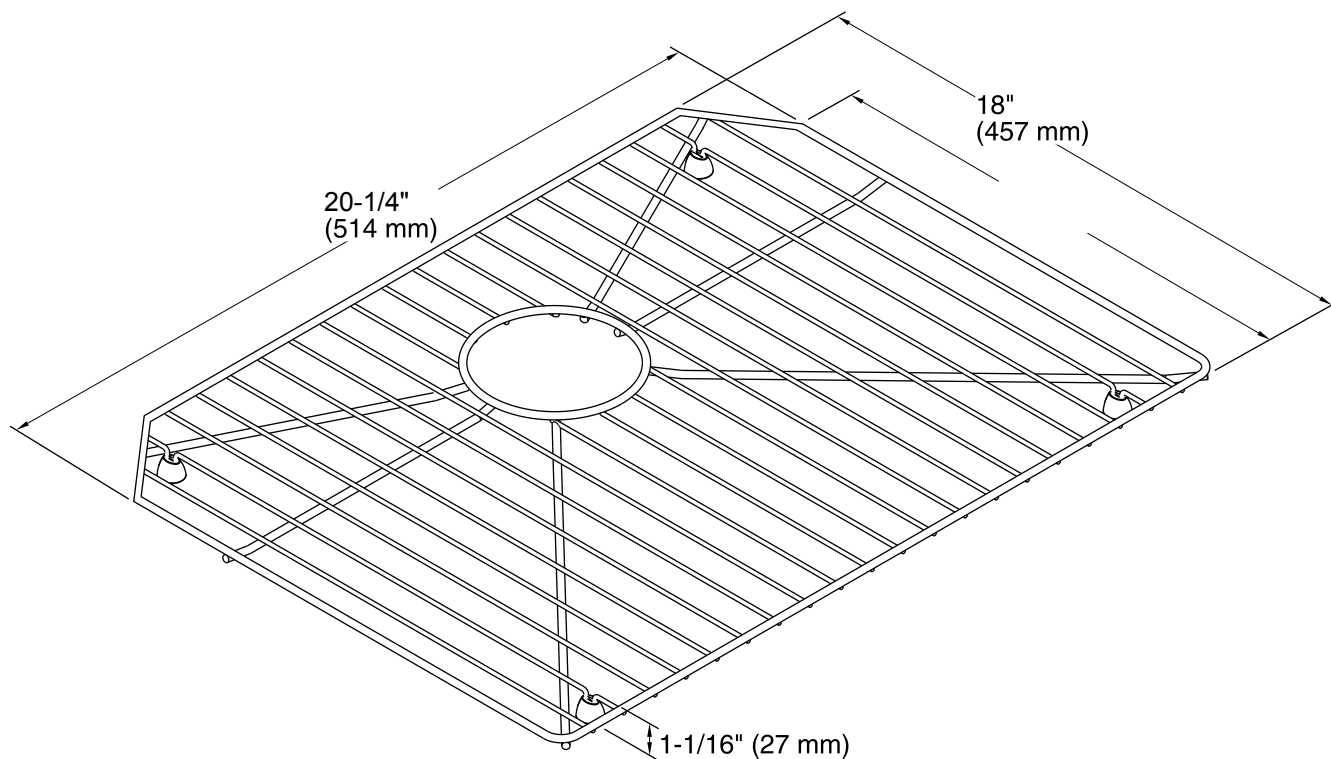
Kohler One-Year Limited Warranty

See website for detailed warranty information.

Available Color/Finishes

Color tiles intended for reference only.

Color	Code	Description
	ST	Stainless Steel



Technical Information

All product dimensions are nominal.