



Toccata™
Top-mount Kitchen Sink
K-4011-4

Features

- 27-inch minimum base cabinet width.
- 19-gauge stainless steel.
- Top-mount.
- Single compartment.
- Includes installation hardware.
- Includes SilentShield® sound-absorption technology.
- 25" (635 mm) x 22" (559 mm)

Optional Accessories

- K-8801 Sink Strainer
- 1177161 Installation Clip Kit

Components

- Product includes:
- 1177160 Hardware Kit, Top-mount



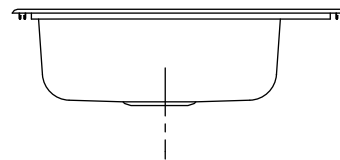
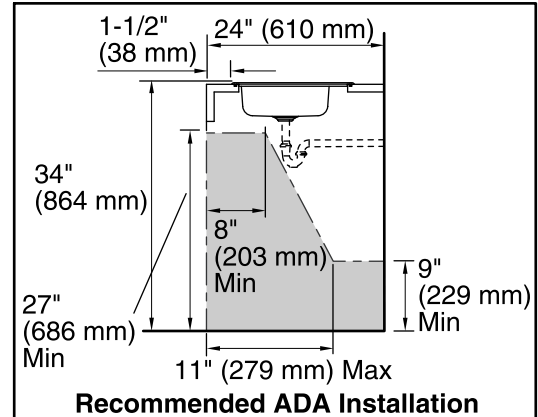
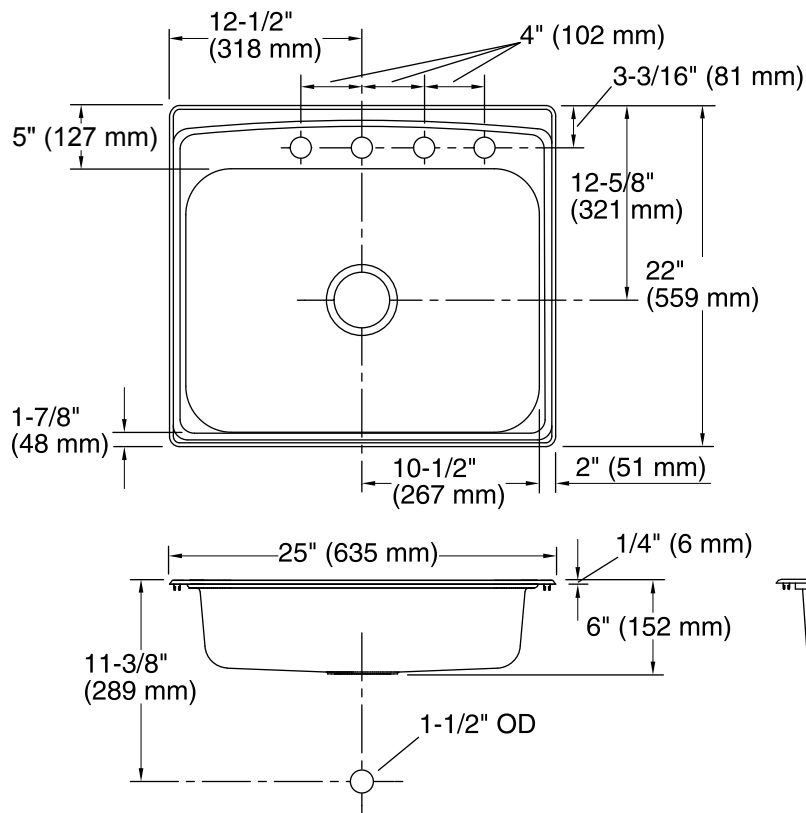
ADA

Codes/Standards

- ASME A112.19.3/CSA B45.4
- ADA
- ICC/ANSI A117.1

**Lifetime Limited Warranty for
KOHLER® Stainless Steel Sinks**

See website for detailed warranty information.



Technical Information

All product dimensions are nominal.

Bowl configuration:	Single
Installation:	Top-mount
Cutout:	Top-mount, 24-1/2" x 21-1/2" (622 mm x 546 mm) with 1/2" (13 mm) radius corners
Bowl area	Length: 21" (533 mm) Width: 15-1/4" (387 mm) Bowl depth: 6" (152 mm)
Number of deck holes:	4
Faucet hole(s):	1-7/16" (37 mm)
Drain hole:	3-5/8" (92 mm)

Notes

Install this product according to the installation instructions.

ADA compliant when installed to the specific requirements of these regulations.