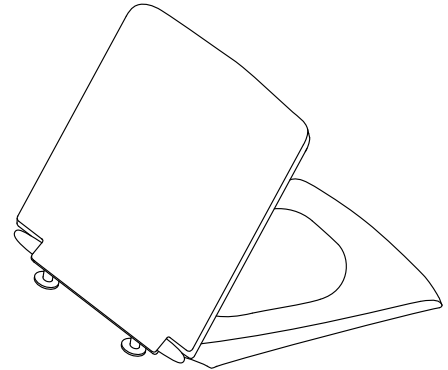


Features

- Metal hinges.
- Closed-front seat.



Codes/Standards




IAPMO/ANSI Z124.5

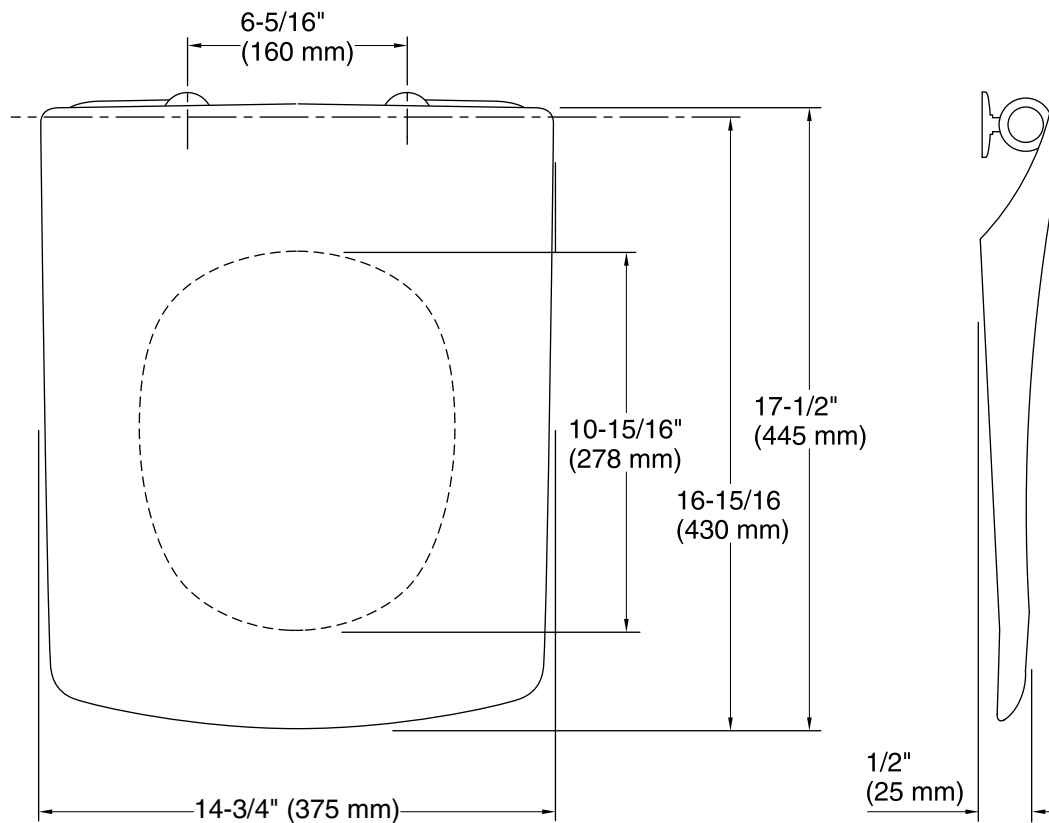
See website for detailed warranty information.

Available Color/Finishes

Color tiles intended for reference only.

Color	Code	Description
-------	------	-------------

	0	White
	96	Biscuit
	47	Almond



Technical Information

All product dimensions are nominal.

Seat shape type: Elongated

Seat front type: Closed front

Seat-mounting holes: 6-5/16" (160 mm)