

Features

- Compact, streamlined one-piece toilet with integrated bidet functionality
- Elongated bowl offers added room and comfort.
- Comfort Height® feature offers chair-height seating that makes sitting down and standing up easier for most adults.
- Motion-activated, hands-free opening/closing of seat and cover.
- Dual flush offers a choice of 0.6 or 1.28 gallons per flush (gpf).
- Advanced bidet functionality with self-cleaning wand, precision air dryer, and deodorizing filter all in one.
- Heated seat and foot warmer.
- Ambient lighting with seven colors and three programming options.
- Touch-screen remote control with magnetic wall-mount docking station.
- Built-in speakers play pre-programmed custom Numi song, FM radio, or your personalized music from a portable device via Bluetooth or auxiliary cable, or simply load a playlist or welcome message to the SD card.
- Power-Save mode monitors usage and adjusts heated seat settings to save energy.
- Emergency Flush supports up to 100 flushes during power outage.
- 2-7/8-inch plastic trapway.
- Supply line included.

Technology

- Dual-flush technology allows you to choose between a full- or partial-flush.

Installation

- Standard 12-inch rough-in.
- Requires a supply stop with 1/2-inch OD compression male outlet thread.
- A drain line grade of 1/4" per foot minimum is required.

Water Conservation & Rebates

- WaterSense® toilets meet strict EPA flushing guidelines, including using at least 20 percent less water than 1.6-gallon toilets.

Required Accessories

K-7420 Premium Remote Control

Optional Accessories

1171368 Flange Installation Kit

Components

Additional included component/s: Inlet hose kit, and Block-mounting kit.



Codes/Standards

ASME A112.19.14
ASME A112.4.2
ASME A112.19.2/CSA B45.1
DOE - Energy Policy Act 1992
EPA WaterSense®
California Energy Commission (CEC)
UL 1951
CSA C22.2 No. 14
CSA C22.2 No. 68

KOHLER® NUMI Toilet - Limited Warranty

See website for detailed warranty information.

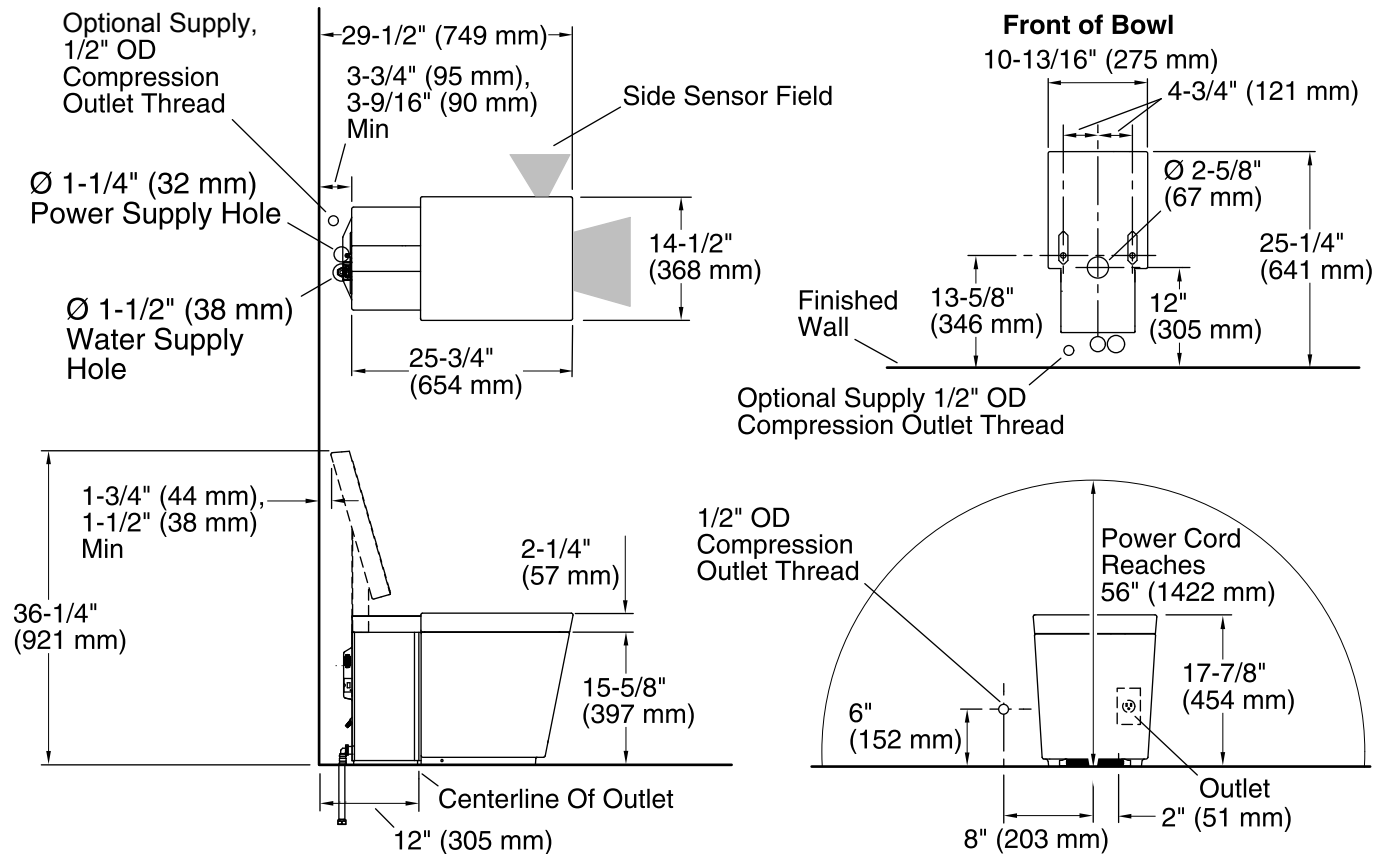
*The BLUETOOTH® word mark and logos are registered trademarks owned by Bluetooth SIG, Inc. and any use of such marks by Kohler Co. is under license. Other trademarks and trade names are those of their respective owners.

Available Color/Finishes

Color tiles intended for reference only.

Color Code Description

	0	White
--	---	-------



Required Electrical Service

One dedicated circuit required, protected with Class A Ground-Fault Circuit-Interrupter (GFCI) or Residual Current Device (RCD).

120 V, 15 A, 60 Hz

Technical Information

All product dimensions are nominal.

Toilet type:	One-piece
Bowl shape:	Elongated front
Trap passageway:	2-7/8" (73 mm)
Water Consumption	
Full:	1.28 gpf (4.8 lpf)
Reduced:	0.6 gpf (2.3 lpf)
Water surface size:	10" x 8-1/4" (254 mm x 210 mm)
Rim to water surface:	5-1/2" (140 mm)
Rough-in:	12" (305 mm)

Fixture Supply Requirements

Min static pressure:	30 psi (206.8 kPa)
Max static pressure:	80 psi (551.6 kPa)

Notes

Install this product according to the installation instructions.

IMPORTANT! Use the supply hoses provided with the fixture. Do not reuse the previously installed hoses.

Installation of a water hammer arrestor is recommended.

Install the docking station cord, when premium remote control is included, before installing the finished wall.

The supplied water inlet hose requires a supply stop with a 1/2" OD compression male outlet thread.

If local codes require the toilet be bolted to the flange, order kit 1171368 for required hardware and instructions.

Can be installed with water and electrical supplies attached to the back wall or through the floor. See roughing-in illustration for details.

Adjust the through-the-floor installation as required to meet all local codes.