



# HydroRail<sup>®</sup>-H | K-45903

Bath/shower column

## Features

- For use in bath/shower and shower only installations
- Designed for new installations or retrofit to replace an existing installed shower arm
- For use with temperature/volume control mixing valve (mixing valve sold separately)
- For use with Kohler handshowers and shower hoses
- Showerhead, handshower, and shower hose are sold separately to allow for customized decor and functionality
- Slidebar bracket allows you to adjust height and angle of handshower



## Available Colors/Finishes

*Color tiles intended for reference only.*

- AF Vibrant French Gold
- BL Matte Black
- 2MB Vibrant Brushed Moderne Brass
- TT Vibrant Titanium



---

## Codes/Standards

*ADA compliant when installed to the specific requirements of these regulations.*

ADA

ASME A112.18.1/CSA B125.1

ADA

---

## Material

- Premium metal construction for durability and reliability
  - KOHLER finishes resist corrosion and tarnishing
- 

## Recommended Products/Accessories

K-23723 Faucet cleaner

K-8593 72" metal shower hose

K-9514 60" metal shower hose

K-45981 72" ribbon hose

K-45982 60" ribbon hose

---

## Warranty

*See website for detailed warranty information.*

KOHLER® Faucet Lifetime Limited Warranty

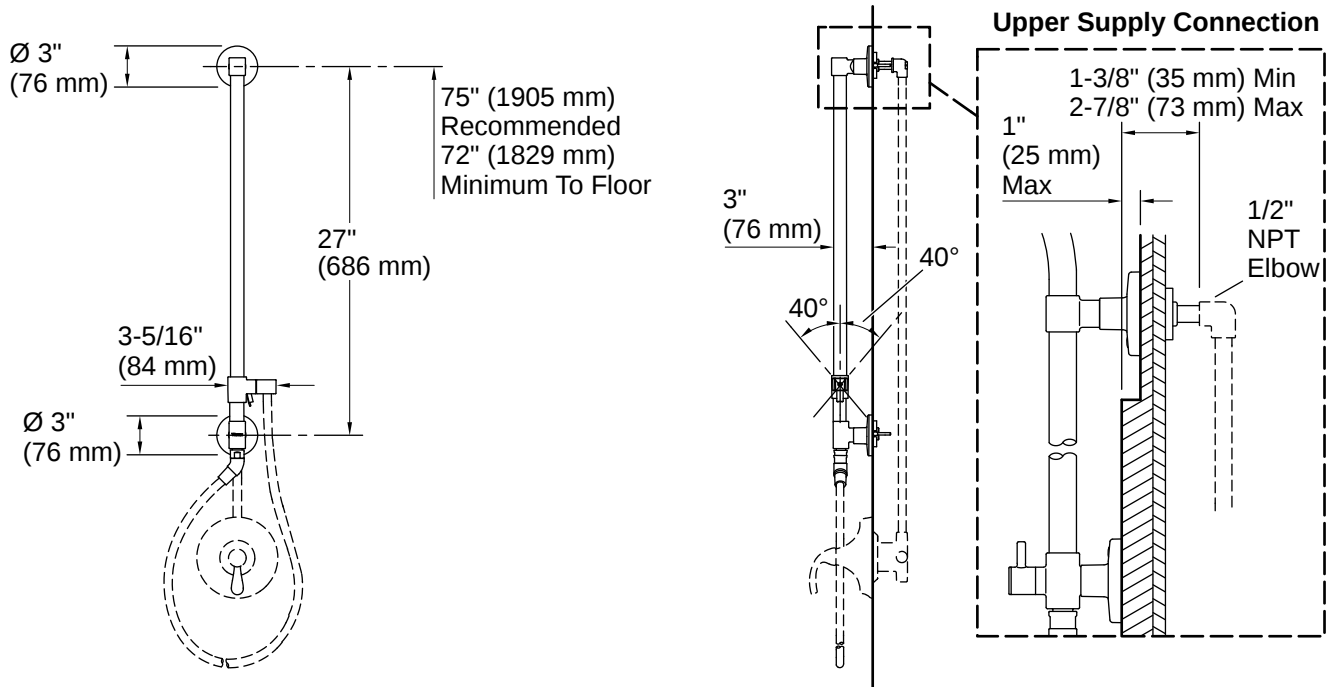


1-800-4KOHLER (1-800-456-4537)

Kohler Co. reserves the right to make revisions without notice to product specifications.

For the most current specification sheet, go to [www.kohler.com](http://www.kohler.com) USA or [www.kohler.ca](http://www.kohler.ca) Canada.

4-22-2026 11:8 - US-CA



**NOTE:** Valve trim and hose illustrated for dimensioning only, not included in the product.

### Installation

- Wall-mount
- Installs in less than 60 minutes without changes to in-wall plumbing (subject to condition of existing installation)
- For use in bath and shower installations
- Includes an adapter that will fit with most installations but may require K-1194630, K-1187917 or K-1194302

### Installation Notes

*Install this product according to the installation instructions.*

Order deep roughing-in kit 1194630 if the distance from the elbow to the finished wall surface is between 2-7/8" (73 mm) to 4" (102 mm). Order shallow roughing-in kit 1187917 if the distance from the elbow to the finished wall surface is less than 1-3/8" (35 mm).

A 3" (76 mm) escutcheon/mounting collar is supplied to fit a 1" (25 mm) to 1-1/4" (32 mm) supply connection hole diameter. Order 1194302 large escutcheon/mounting collar kit if the supply connection hole diameter is between 1-1/4" (32 mm) to 2-1/4" (57 mm).

ADA compliant when installed to the specific requirements of these regulations.

