



#### Features

- 17" soaking depth.
- Center drain.
- Integral lumbar support.
- Wide ledge on one side is ideal for deck-mount faucet and/or handshower.
- Textured bottom surface.
- K-37385 drain recommended for non-deck mounted faucets only.
- 72" (1829 mm) x 36" (914 mm) x 25-34/" (654 mm)

#### Material

- Acrylic

#### Installation

- Freestanding

#### Recommended Accessories

- K-7265 Clearflo Bath Drain
- K-37385 45" Rough-in Cable Bath Drain
- K-24916 Wireless Music Kit



#### Codes/Standards

- CSA B45.5/IAPMO Z124
- ASTM E162
- ASTM E662
- Greenguard UL 2818 - Gold



#### KOHLER® One-Year Limited Warranty

See website for detailed warranty information.

#### Available Color/Finishes

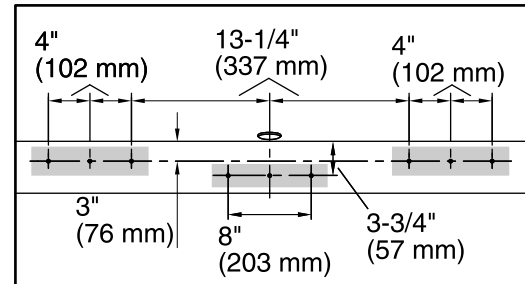
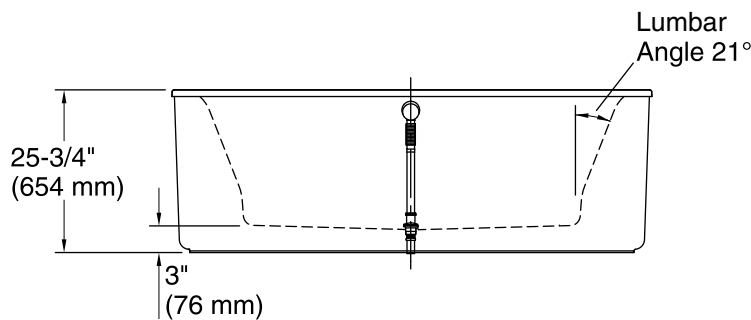
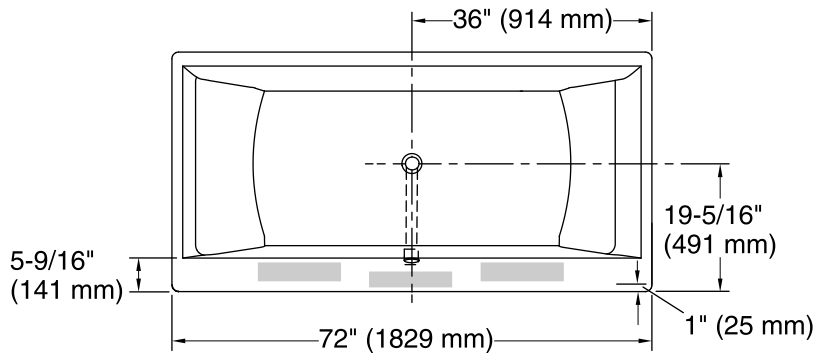
*Color tiles intended for reference only.*

| Color | Code | Description |
|-------|------|-------------|
|-------|------|-------------|

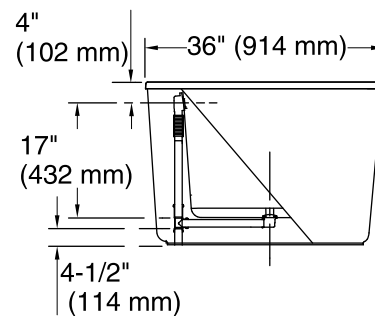
|  |    |         |
|--|----|---------|
|  | 0  | White   |
|  | 96 | Biscuit |

No change in measurements if connected with drain illustrated. (K-7265)

█ Faucet area.



**Faucet Hole Locations  
(For KOHLER® Brand Only)**



### Technical Information

All product dimensions are nominal.

|                        |   |
|------------------------|---|
| Installation:          | Freestanding  |
| Drain location:        | Center  |
| Basin area, bottom:    | 50" x 25-1/2" (1270 mm x 648 mm)                    |
| Basin area, top:       | 61" x 27-1/2" (1549 mm x 699 mm)                    |
| Weight:                | 152 lbs (68.9 kg)                                   |
| Minimum floor load:    | 48.8 lbs/ft <sup>2</sup> (238.3 kg/m <sup>2</sup> ) |
| Water depth:           | 17" (432 mm)  |
| Water capacity:        | 90 gal (340.7 L)                                    |
| Template:              | Footprint, 1245664, not required, not included      |
| Minimum flat for door: | 0" (0 mm)   |

### Notes

Measure your actual product for rough-in details.

Install this product according to the installation instructions.

The hot water supply should be 70% of the capacity of the bath or greater. Installations will vary.

This bath is designed for freestanding installation only.

Do not support the load weight of the bath by the rim.

If installing a rim-mount faucet, make sure there is no interference with drain overflow before drilling any holes. Consult local and national codes for minimum air gap requirements if installing a spout on the faucet deck.