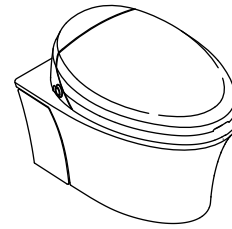
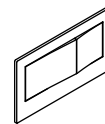


### Features

- Vitreous china
- High efficiency 1.6 gpf (6 lpf) or 0.8 gpf (3 lpf) with dual flushing system
- Custom bowl height, adjustable from 15-5/8" (397 mm) to 26" (660 mm) rim height
- In-wall tank and carrier system with rigid solid steel tube frame
- Includes large chrome-plated wall plate actuator with easy servicing accessibility
- Includes C3®-201 Bidet Seat
- Continuously heated water with two adjustable spray wands
- Spray wands feature adjustable water pressure and temperature, and oscillate and pulsate functions
- Air blower and heated seat with adjustable temperature
- 3" (76 mm) glazed trapway
- 4-1/2" (114 mm) x 5-1/2" (140 mm) water area
- 21" (533 mm) x 15-1/8" (384 mm) x 13-3/4" (349 mm)

## WALL-HUNG TOILET WITH BIDET FUNCTIONALITY K-6304



### Codes/Standards Applicable

Specified model meets or exceeds the following:

- ASME A112.19.2/CSA B45.1
- EPA WaterSense®
- ASME A112.6.2
- CSA B45.5/IAPMO Z124
- UL 1431
- ASME A112.19.14/ASME A112.4.2

### Colors/Finishes

- 0: White

### Accessories

- CP: Polished Chrome
- Other: Refer to Price Book for additional colors/finishes

### Specified Model

Model	Description	Colors/Finishes
K-6304	Wall-hung toilet with in-wall tank and carrier system and C3® 201 bidet seat	<input type="checkbox"/> 0
<b>Recommended Accessories</b>		
K-6298	Dual flush actuator	<input type="checkbox"/> CP <input type="checkbox"/> Other_____
<b>Optional Accessories</b>		
K-6291-NA	Cast iron waste pipe elbow, 90 degrees	

### Product Specification

Toilet shall be vitreous china, 1.6 gpf (6 lpf) or 0.8 gpf (3 lpf) with dual flushing system. Shall be adjustable 15-5/8" (397 mm) to 26" (660 mm) rim height, in-wall tank and carrier system with rigid solid steel tube frame, and include a chrome-plated wall plate actuator. Shall include C3-201 bidet seat, be continuously heated water, and have two adjustable spray wands with water pressure and temperature adjustments. Bidet shall have pulsate and oscillate functions, air blower, heated seat with adjustable temperature. Shall have 3" (76 mm) glazed trapway, and be 21" (533 mm) in length, 15-1/8" (384 mm) in width, and 13-3/4" (349 mm) in height with a 4-1/2" (114 mm) x 5-1/2" (140 mm) water area. Toilet shall be a Kohler Model K-6304-\_\_\_\_\_.

## Technical Information

Optional Accessories (continued)	
1201721	Electrical box and receptacle
1213135	Adapter for G/12 to 3/8" NPT compression threads (used with bidet seat)

Fixture:	
Configuration	Wall-hung elongated bowl toilet
Water per flush	1.6 gpf (6 lpf) or 0.8 gpf (3 lpf)
Passageway	3" (76 mm)
Water area	4-1/2" (114 mm) x 5-1/2" (140 mm)
Seat post hole centers	5-1/2" (140 mm)

Included components:	
Bowl	K-6300
Toilet seat	K-4744
In-wall tank and carrier system	K-6284
Dual flush actuation plate	K-6298

Electrical Requirements:	
Max electrical rating	120 VAC / 60 Hz / 1260 W
A dedicated circuit protected with a Class A Ground-Fault Circuit-Interrupter (GFCI) or Residual Current Device (RCD) is required.	

### Installation Notes

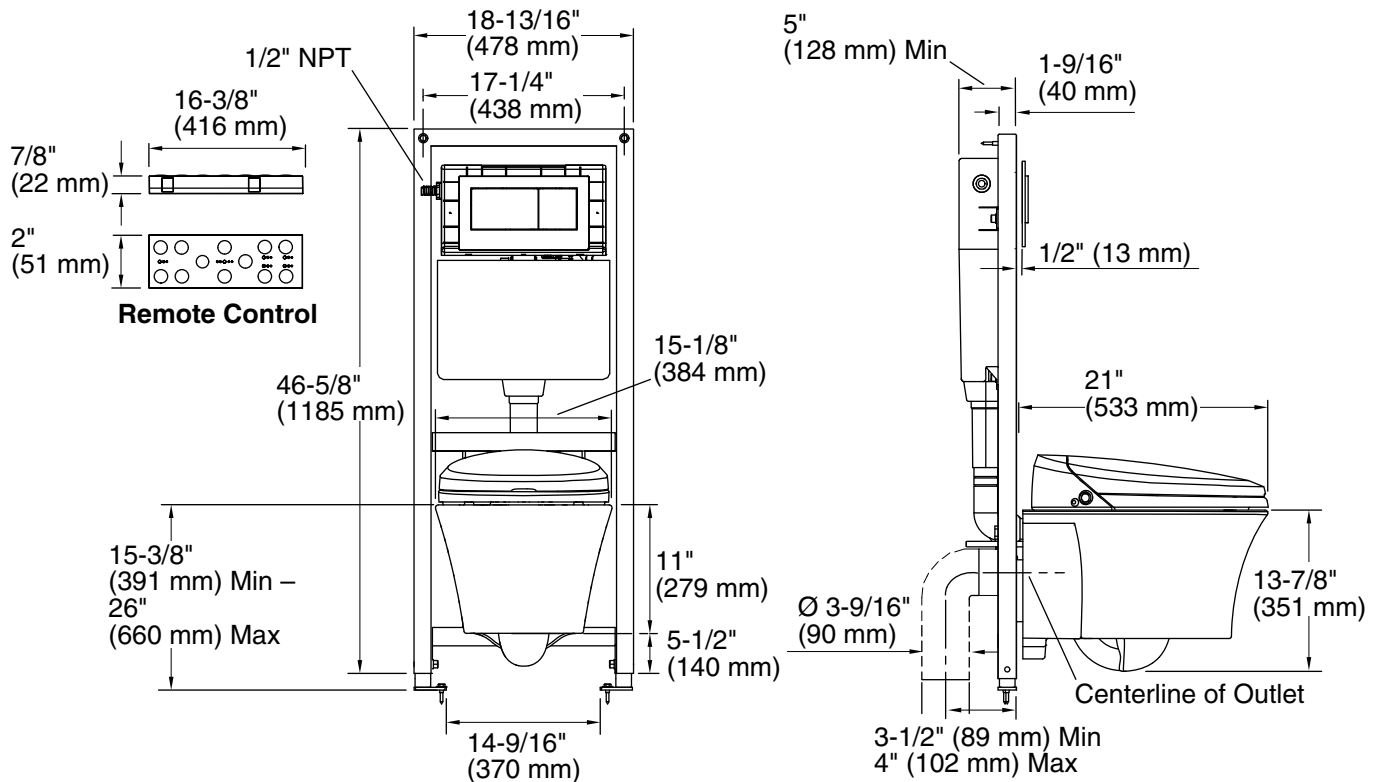
Install this product according to the installation guide.

Requires 2x6 stud construction.

Refer to manufacturer and local codes for flush valve requirements.

Refer to the K-4744 bidet seat specification sheet for additional information.

In-wall tank and carrier system install in wall opening 5-1/2" (140 mm) x 19" (483 mm) x 50" (1270 mm) minimum.



### Product Diagram