



### Features

- Integral flange.
- Flange helps prevent water from seeping behind wall and simplifies alcove installation.
- Center drain.
- Low threshold shower base.
- Compliments traditional and contemporary bathroom designs.
- Coordinates with Choreograph™ walls.

### Material

- Resin concrete core with acrylic surface.

### Installation

- Alcove



### Codes/Standards

CSA B45.5/IAPMO Z124  
ASTM E162  
ASTM E662  
Greenguard UL 2818 - Gold

### KOHLER® One-Year Limited Warranty

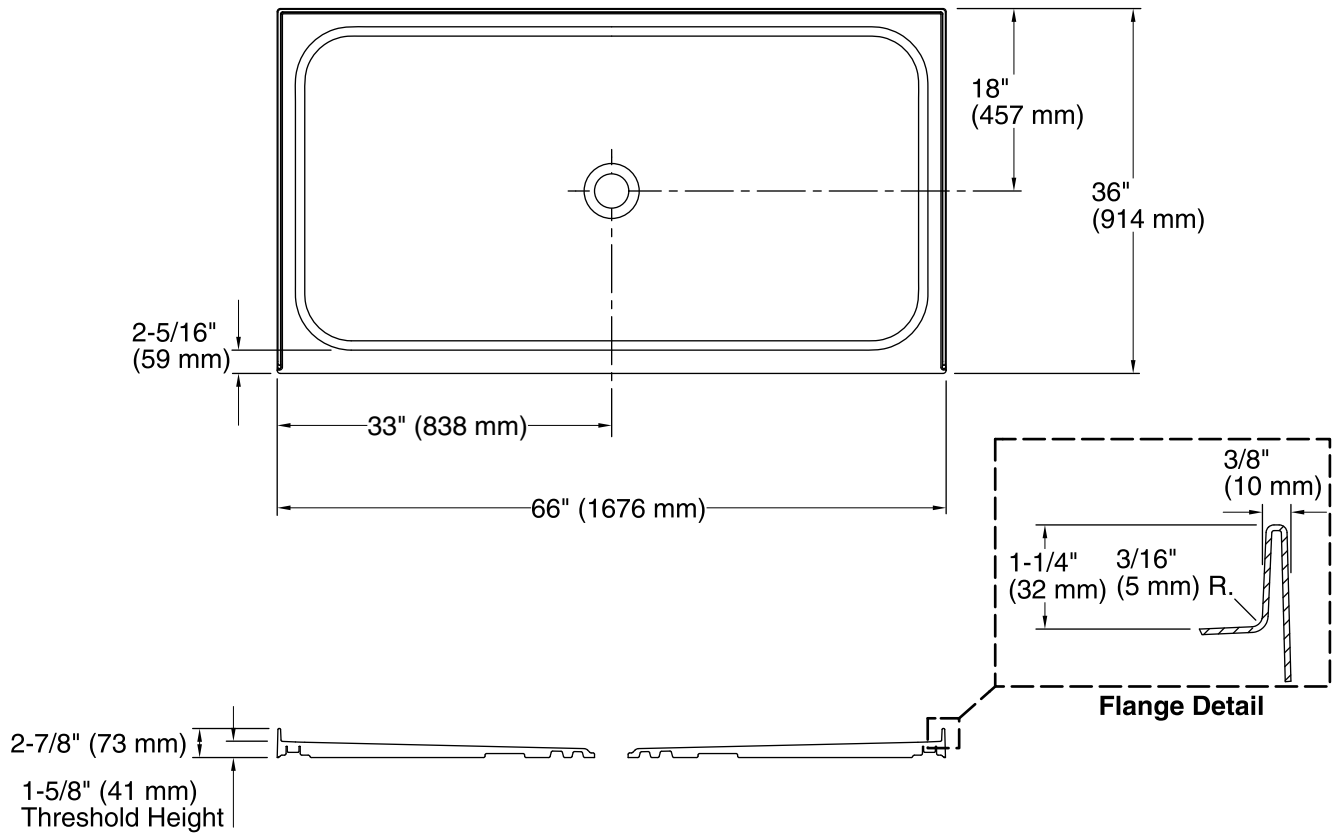
See website for detailed warranty information.

### Available Color/Finishes

*Color tiles intended for reference only.*

Color	Code	Description
-------	------	-------------

	0	White
--	---	-------



### Technical Information

All product dimensions are nominal.

- Installation: 3-Wall Alcove
- Drain location: Center
- Drain hole diameter: 3-3/8" (86 mm)
- Weight: 131 lbs (59.4 kg)
- Minimum flat for door: 2" (51 mm)
- Threshold height: 1-5/8" (41 mm)

### Notes

Measure your actual product for rough-in details.

Install this product according to the installation instructions.

**CAUTION:** Risk of property damage and personal injury. Using this product without a shower door may cause water damage and may create a wet and potentially dangerous environment. Install a shower door with this product.

A shower door with a bottom track is required for this receptor. Kohler Co. shall not be responsible for problems encountered due to the installation and use of other manufacturer's shower doors.