

**PRESSURE-BALANCING VALVE
K-304-K**

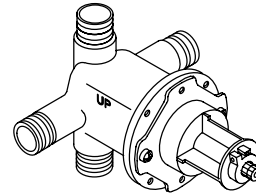
FEATURES

- Brass valve body
- Rite-Temp pressure-balancing diaphragm design valve
- High-temperature limit stop
- Pressure-balancing mechanism of one-piece diaphragm cartridge design for ease of maintenance
- Mixing valve cycles from “cold” to “hot”
- Available with or without screwdriver stops
- Available with female stops for CPVC

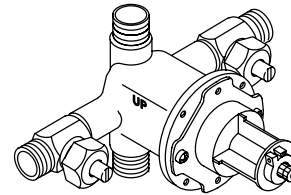
CODES/STANDARDS APPLICABLE

Specified model meets or exceeds the following:

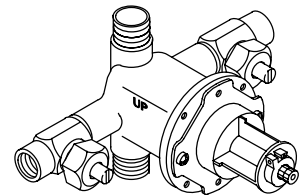
- ASME/ANSI A112.18.1M
- ANSI/ASSE 1016
- CSA International B125
- IAPMO/UPC



K-304-K



K-304-KS



K-304-KP

COLORS/FINISHES

- NA Not applicable

SPECIFIED MODEL:

Model	Description	
K-304-K	Less Screwdriver Stops	<input type="checkbox"/> NA
K-304-KS	With Screwdriver Stops	<input type="checkbox"/> NA
K-304-KP	With Screwdriver Stops For CPVC	<input type="checkbox"/> NA

PRODUCT SPECIFICATION:

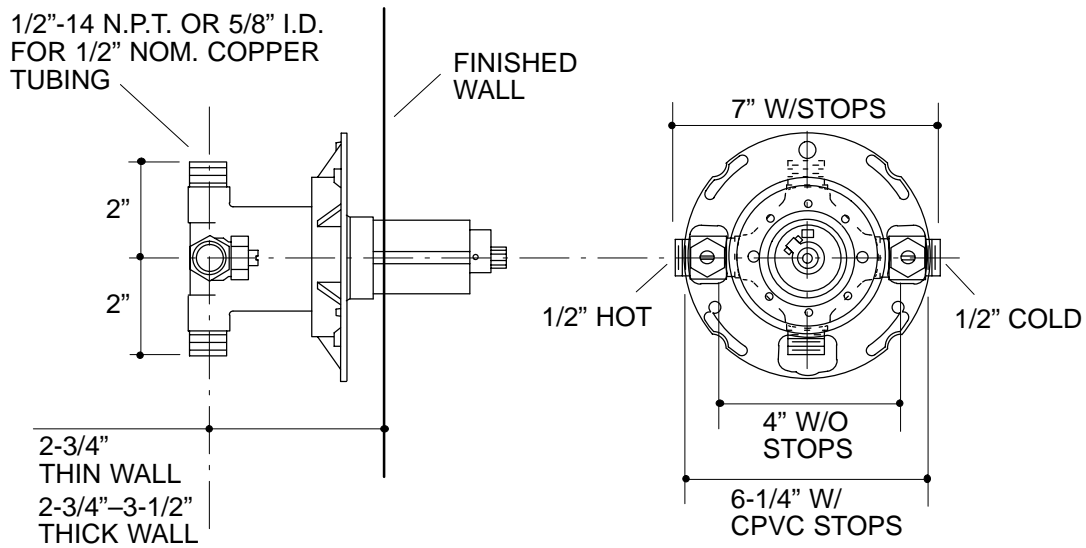
Rite-Temp pressure-balancing single-control valve shall feature a brass valve body. The valve shall mix the water from the “off” position, through the “cold” to the “hot”, and includes a high-temperature limit stop. The pressure-balancing mechanism shall be of one-piece diaphragm cartridge design for ease of maintenance. Optional feature shall be with or without screwdriver stops or female stops for CPVC. Rite-Temp valve shall be Kohler Model K-304-_____-NA.

INSTALLATION NOTES

Avoid cross-flow conditions. Do not install shut-off device on either valve outlet.

Cap shower outlet if deck-mount spout, diverter, or handshower is connected to spout outlet.

Install straight pipe or tube drop of 7 to 18" with single elbow between valve and wall-mount spout.

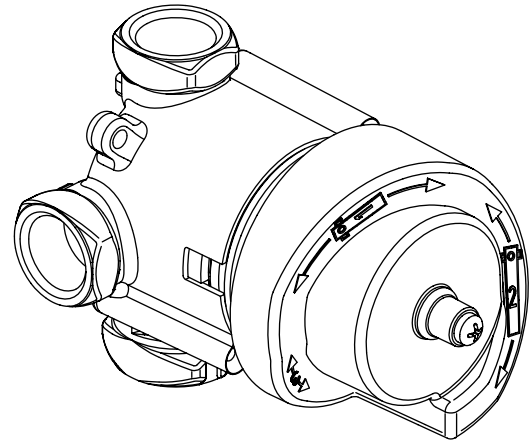


PRODUCT DIAGRAM

**THREE-WAY/TWO-WAY TRANSFER VALVE
VALVE
K-728-K**

Features

- Brass construction
- Wall-mount
- Brass valve body
- Selection of one or combination of two outlets
- Single-handle control
- One 3/4" NPT inlet connection
- Three 1/2" NPT outlet connections
- Intended for use with Kohler® bath and shower supply valves
- Can be converted from 3 outlets (360° handle rotation) to 2 outlets (120° handle rotation)



Codes/Standards Applicable

Specified model meets or exceeds the following:

- ASME A112.18.1/CSA B125.1

Colors/Finishes

- NA: None applicable

Specified Model

Model	Description	Colors/Finishes
K-728-K	Three-way/Two-way transfer valve	<input type="checkbox"/> NA

Product Specification

The single-handle wall-mount three-way/two-way transfer valve shall be made of brass construction with brass valve body. Product shall feature one 3/4" NPT inlet connection and three 1/2" NPT outlet connections. Product can be converted from 3 outlets (360° handle rotation) to 2 outlets (120° handle rotation). Product shall feature a selection of one or combination of two outlets. Product is intended for installation with any Kohler bath and shower supply valves. Transfer valve shall be Kohler Model K-728-K-NA.

MASTERSHOWER®

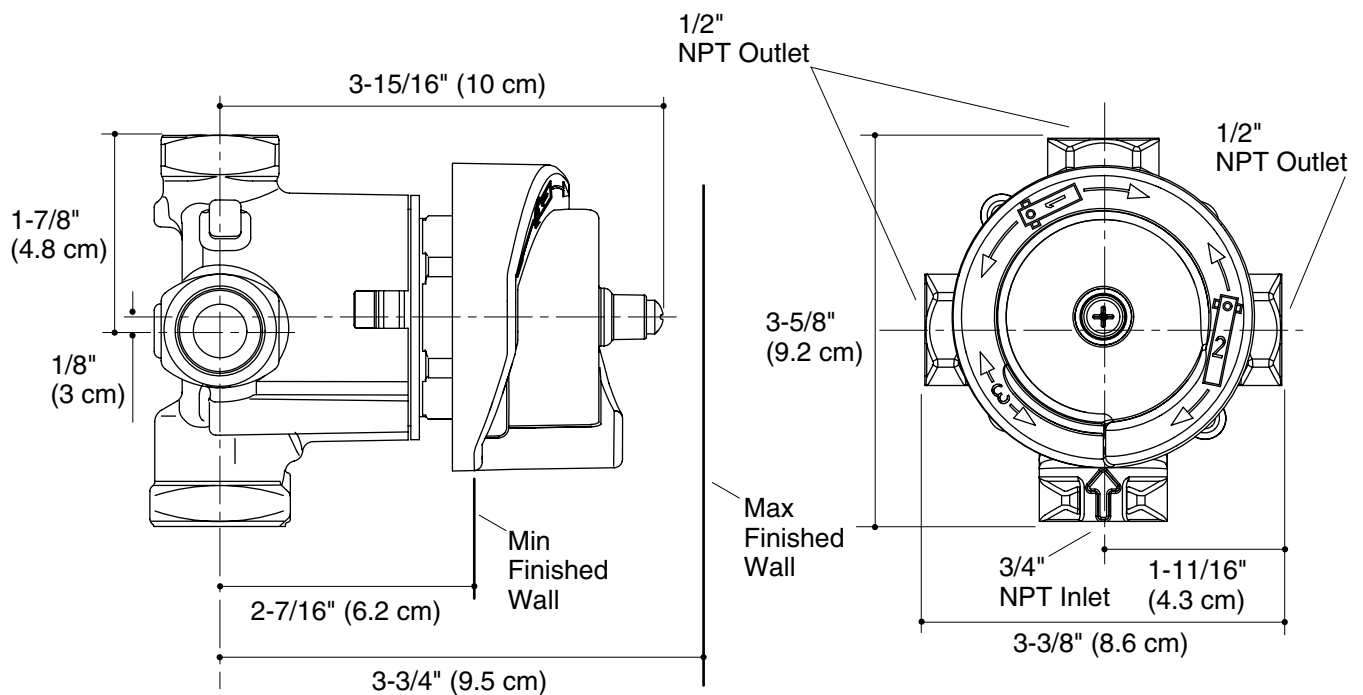
Installation Notes

Install this product according to the installation guide.

Product is not intended for use as a shut-off valve.

Never plug an outlet port without completing the two-way conversion.

Product requires a mixed water supply to the inlet.



Product Diagram

MASTERSHOWER® THREE-WAY/TWO-WAY TRANSFER VALVE

Page 2 of 2
1145567-4-A

THE BOLD LOOK
OF **KOHLER**®

Features

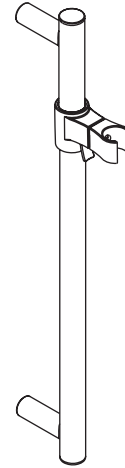
- Metal construction

Codes/Standards Applicable

Specified model meets or exceeds the following:

- None applicable

SLIDE BAR
K-8524
ALSO K-9069



Colors/Finishes

- CP: Polished Chrome
- Other: Refer to Price Book for additional colors/finishes

Specified Model

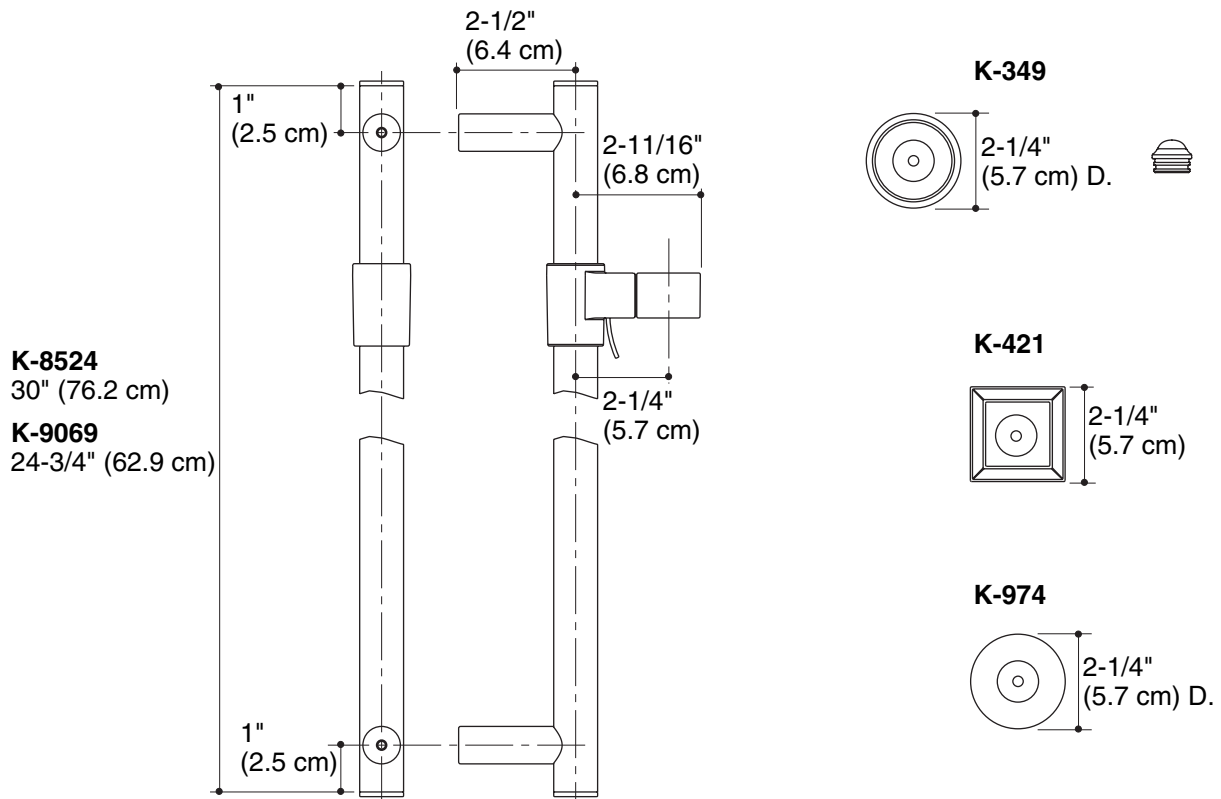
Model	Description	Colors/Finishes	
K-8524	Slide bar - 30" (76.2 cm)	<input type="checkbox"/> CP	<input type="checkbox"/> Other ____
K-9069	Slide bar - 24-3/4" (62.9 cm)	<input type="checkbox"/> CP	<input type="checkbox"/> Other ____
Optional Accessories			
K-349	Forté [®] /Bancroft [™] slide bar trim	<input type="checkbox"/> CP	<input type="checkbox"/> Other ____
K-421	Memoirs [®] slide bar trim	<input type="checkbox"/> CP	<input type="checkbox"/> Other ____
K-974	Stillness [®] slide bar trim	<input type="checkbox"/> CP	<input type="checkbox"/> Other ____

Product Specification

Slide bar shall be of metal construction. Product shall be Kohler Model K-____-____.

Installation Notes

Install this product according to the installation guide.



Product Diagram

STANCE™ RITE-TEMP®

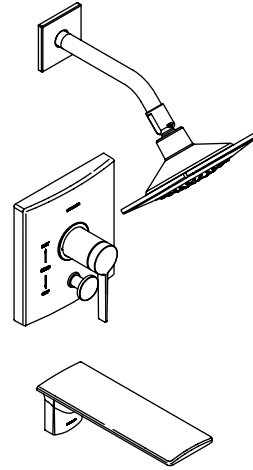
Features

- Brass construction
- MasterClean™ spray nozzles prohibit mineral build-up
- ADA compliant lever handle
- Complements Stance™ Suite
- Push button diverter on bath and shower trim models [K-T14776, K-T14777]
- Requires a Rite-Temp valve

**BATH AND SHOWER VALVE TRIM
K-T14776**

ALSO K-T14777, K-T14778, K-14795

ADA



Codes/Standards Applicable

Specified model meets or exceeds the following:

- ADA
- ASME A112.18.1/CSA B125.1
- ICC/ANSI A117.1

Colors/Finishes

- CP: Polished Chrome
- Other: Refer to Price Book for additional colors/finishes

Accessories

- NA: None applicable

Specified Model

Model	Description	Colors/Finishes	
K-T14776-4	Bath and shower valve trim (shown)	<input type="checkbox"/> CP	<input type="checkbox"/> Other ____
K-T14777-4	Shower trim only – with diverter button	<input type="checkbox"/> CP	<input type="checkbox"/> Other ____
K-T14778-4	Shower trim only – without diverter button	<input type="checkbox"/> CP	<input type="checkbox"/> Other ____
K-T14779-4	Mixing valve trim– with diverter button	<input type="checkbox"/> CP	<input type="checkbox"/> Other ____
K-T14780-4	Mixing valve trim– without diverter button	<input type="checkbox"/> CP	<input type="checkbox"/> Other ____
K-14795	Bath spout	<input type="checkbox"/> CP	<input type="checkbox"/> Other ____

Required Accessories		
K-304-K/CX/PX/UX	Rite-Temp® pressure-balancing valve – less stops	<input type="checkbox"/> NA
K-304-KS/CS/KP/PS/US	Rite-Temp® pressure-balancing valve with stops	<input type="checkbox"/> NA
K-305-K*	Rite-Temp® pressure-balancing valve with push-button diverter – less stops	<input type="checkbox"/> NA

Product Specification

Bath and shower trim shall be made of brass construction. Faucet trim shall be available with an ADA compliant lever handle. Product shall have a push button diverter on bath and shower trim models [K-T14776, K-T14777]. Showerhead shall feature a MasterClean™ spray nozzle that prohibits mineral buildup. Product shall require a Rite-Temp valve. Product shall complement the Stance™ Suite. Bath and shower trim shall be Kohler Model K-T____-____-____ or K-____-____ and Rite-Temp valving shall be K-____-____-NA.

STANCE™ RITE-TEMP®

Required Accessories continued

K-305-KS*	Rite-Temp® pressure-balancing valve with push-button diverter and stops	<input type="checkbox"/> NA
K-306-KS**	HiFlow Rite-Temp® valve with stops	<input type="checkbox"/> NA
K-11748-K	Rite-Temp® valve with push-button diverter – less stops	<input type="checkbox"/> NA
K-11748-KS	Rite-Temp® valve with push-button diverter and stops	<input type="checkbox"/> NA

* Requires 1016453-C/F diverter button kit.

** Requires 88526-C/F for thin wall installations.

Optional Accessories

88526	Thin wall installation kit for K-306-KS HiFlow Rite-Temp valve	<input type="checkbox"/> CP	<input type="checkbox"/> Other ____
1016453	Diverter button kit for K-305-K or K-305-KS Rite-Temp valve	<input type="checkbox"/> CP	<input type="checkbox"/> Other ____
1111613	Deep rough-in kit for Rite-Temp valve	<input type="checkbox"/> CP	<input type="checkbox"/> Other ____

Installation Notes

Install this product according to the installation guide.

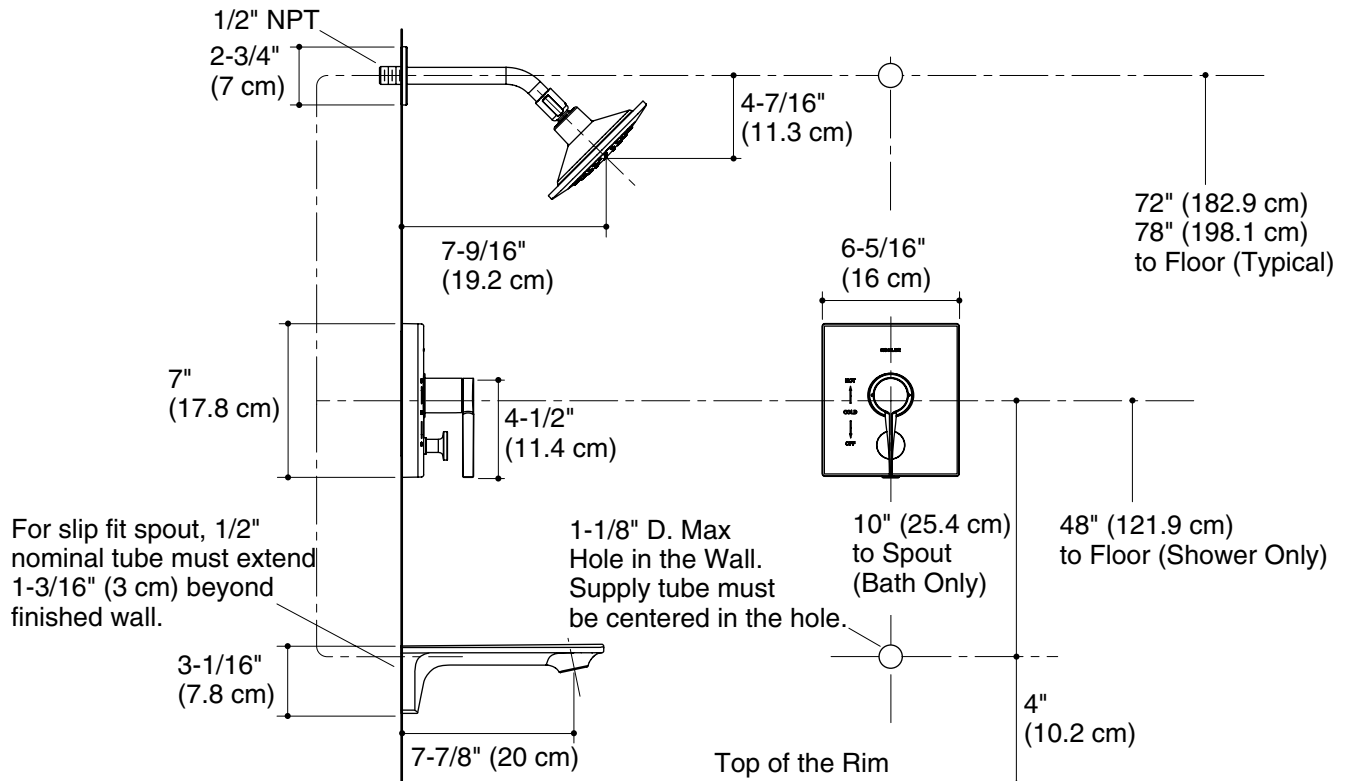
NOTICE: For K-305 valve: The diverter button kit (1016453-C/F) is required.

NOTICE: For K-306-KS valve: The thin wall installation kit (88526-C/F) is required for thin wall (fiberglass or acrylic) installations.

Avoid cross-flow conditions. Do not install a shut-off device on either valve outlet.

Cap the shower outlet if the deck-mounted spout, diverter, or handshower is connected to the spout outlet.

Install straight pipe or tube drop of 7" (17.8 cm) to 18" (45.7 cm) with single elbow between the valve and the wall-mount spout.



Product Diagram

STANCE™ RITE-TEMP® BATH AND SHOWER VALVE TRIM

Page 2 of 2
1117233-4-B

THE BOLD LOOK
OF **KOHLER**®

Features

- Brass construction
- Front seal plate assembly
- Handle assembly
- ADA compliant lever handle
- Complements Stance™ Suite

THERMOSTATIC FAUCET TRIM

K-T14781

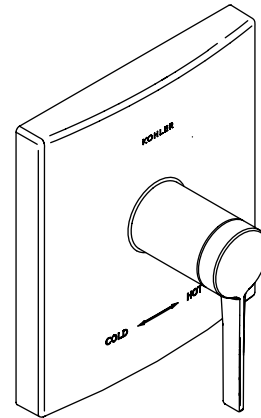
ALSO K-T14782, K-T14783

ADA

Codes/Standards Applicable

Specified model meets or exceeds the following:

- ADA
- ASME A112.18.1/CSA B125.1
- ICC/ANSI A117.1



Colors/Finishes

- CP: Polished Chrome
- Other: Refer to Price Book for additional colors/finishes

Accessories

- NA: None applicable

Specified Model

Model	Description	Colors/Finishes	
K-T14781-4	Thermostatic valve trim (shown)	<input type="checkbox"/> CP	<input type="checkbox"/> Other ____
K-T14782-4	Volume control trim	<input type="checkbox"/> CP	<input type="checkbox"/> Other ____
K-T14783-4	Transfer valve trim	<input type="checkbox"/> CP	<input type="checkbox"/> Other ____

Required Accessories			
K-669-KS	3/4" thermostatic valve		<input type="checkbox"/> NA
K-671-K	3/4" volume control		<input type="checkbox"/> NA
K-672-K	3/4" transfer valve		<input type="checkbox"/> NA
K-679-KS	1/2" thermostatic valve		<input type="checkbox"/> NA
K-681-K	1/2" volume control		<input type="checkbox"/> NA

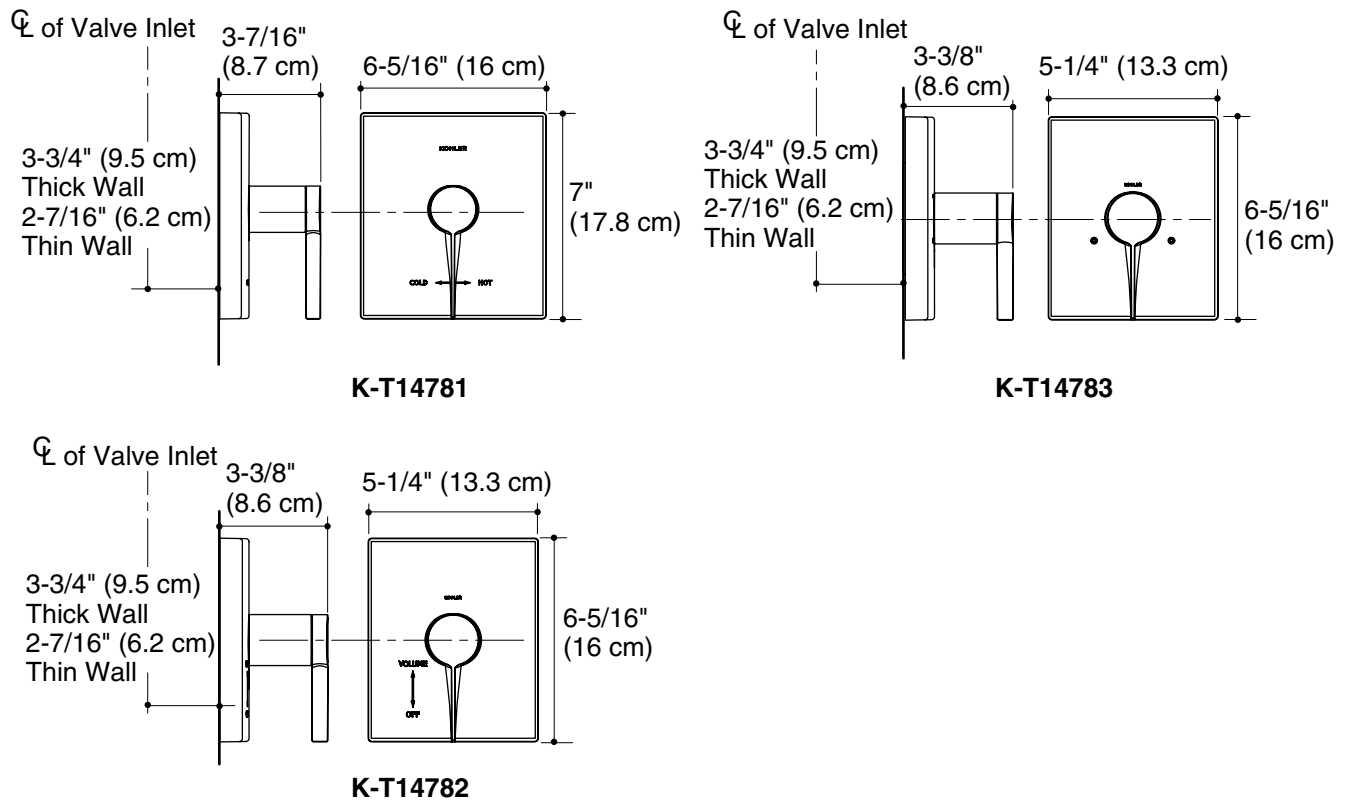
Product Specification

Thermostatic faucet trim shall be made of brass construction. Trim shall include front seal plate assembly and handle assembly. Faucet trim shall be available with an ADA compliant lever handle. Thermostatic faucet trim shall complement the Stance Suite. Faucet trim shall be Kohler Model K-T____-____-____ and thermostatic valving shall be K-____-____-NA.

STANCE™

Installation Notes

Install this product according to the installation guide.



Product Diagram