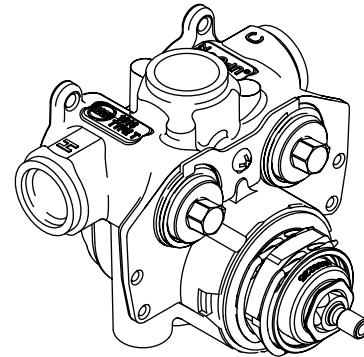


**1/2" THERMOSTATIC MIXER
K-2972-KS**

Features

- Forged brass valve body
- Single-handle temperature control
- High-temperature limit setting for added safety
- Temperature-balancing mechanism
- Scald hazard prevention
- Integral stops
- Crossflow prevention
- 1/2" NPT connections
- Filter screens
- Single outlet
- Less volume control



Codes/Standards Applicable

Specified model meets or exceeds the following:

- ASSE 1016
- ASME A112.18.1/CSA B125.1

Colors/Finishes

- NA: None applicable

Accessories

- NA: None applicable

Specified Model

Model	Description	Colors/Finishes
K-2972-KS	1/2" thermostatic mixer - less volume control	<input type="checkbox"/> NA
Required Accessories		
K-2974-K	1/2" volume control valve - for use on bath and shower outlets	<input type="checkbox"/> NA
Optional Accessories		
K-9663	Twin ell - for use with diverter bath spouts only	<input type="checkbox"/> NA

Product Specification

The thermostatic mixer less volume control shall have a forged brass valve body. Product shall feature single-handle temperature control, high-temperature limit stop for added safety, and temperature-balancing mechanism. Product shall feature integral stops, crossflow prevention, filter screens, and scald hazard prevention. Product shall have 1/2" NPT connections. The thermostatic mixer shall be Kohler Model K-2972-KS-NA and the required volume control valve shall be K-2974-K-NA.

MASTERSHOWER®

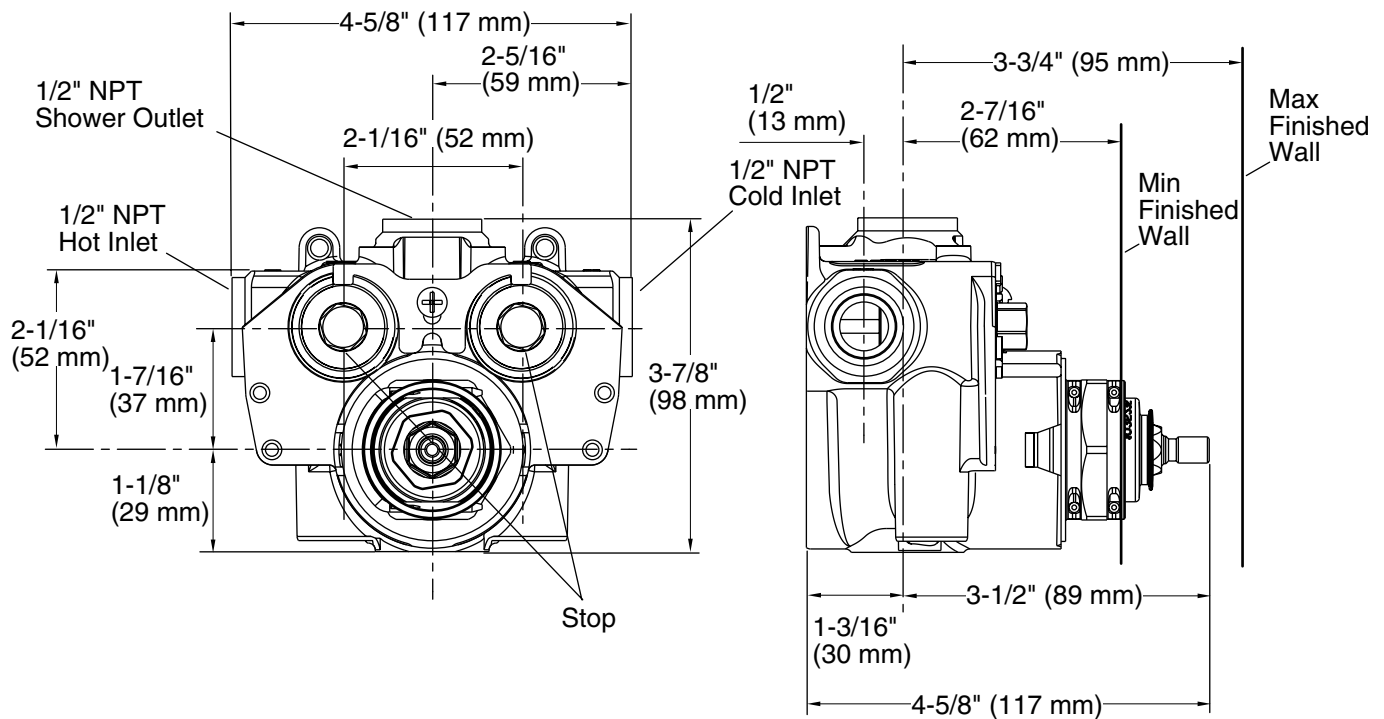
Installation Notes

Install this product according to the installation guide.

The K-2972-KS thermostatic mixer valve requires a separate volume control valve, K-2974-K, for each bath and/or shower outlet.

For bath-only installations, valve may be installed upside down.

For installations with a diverter spout, a twin ell, K-9663, is required between the valve and the spout. It is acceptable for the supply to the K-9663 twin ell to run from the top port through the volume control valve.



Product Diagram



Features

- Metal construction
- 1/2"-14 NPT thread both ends
- Wall-mount flange

Codes/Standards Applicable

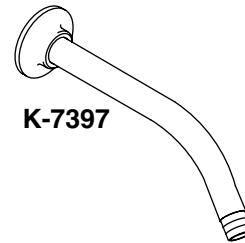
Specified model meets or exceeds the following:

- ASME A112.18.1
- IAPMO/UPC

SHOWER ARM AND FLANGE K-7395 ALSO K-7397



K-7395



K-7397

Colors/Finishes

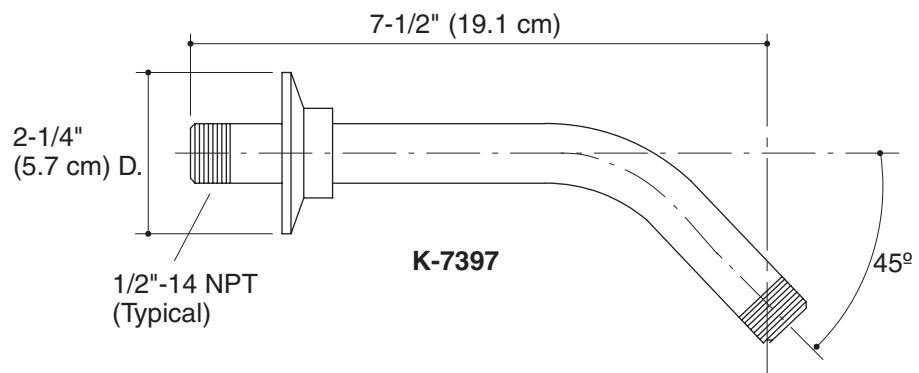
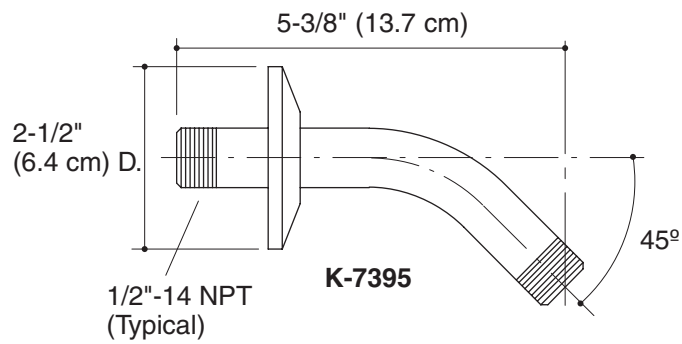
- CP: Polished Chrome
- PB: Vibrant® Polished Brass
- Other: Refer to Price Book for additional colors/finishes

Specified Model

Model	Description	Colors/Finishes		
K-7395	Shower arm and flange - 5-3/8" (13.7 cm)	<input type="checkbox"/> CP	<input type="checkbox"/> PB	
K-7397	Shower arm and flange - 7-1/2" (19.1 cm)	<input type="checkbox"/> CP	<input type="checkbox"/> PB	<input type="checkbox"/> Other_____

Product Specification

Shower arm and flange shall be of metal construction. Product shall have 1/2"-14 NPT thread both ends. Product shall have wall-mount flange. Shower arm shall be Kohler Model K-_____-_____.

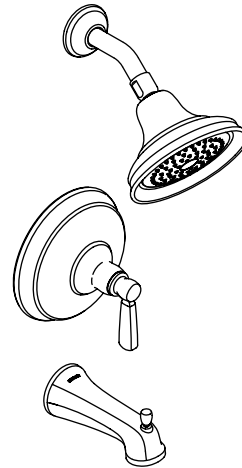


Product Diagram

Features

- Metal construction
- Ceramic or metal lever handles
- 5-3/4" (14.6 cm) diverter bath spout with NPT or slip-fit connection
- Intended for use with Rite-Temp® or HiFlow Rite-Temp® valves
- Complements Bancroft® Suite

**BATH AND SHOWER FAUCET TRIM
K-T10581
ALSO K-T10582, K-T10583, K-T10584**



Codes/Standards Applicable

Specified model meets or exceeds the following:

- ASME A112.18.1/CSA B125.1

Colors/Finishes

- CP: Polished Chrome
- Other: Refer to Price Book for additional colors/finishes

Accessories

- CP: Polished Chrome
- Other: Refer to Price Book for additional colors/finishes
- NA: None applicable

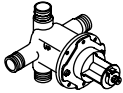

Specified Model

Model	Description	Colors/Finishes	
K-T10581-4	Bath and shower trim, metal lever handle, NPT spout (shown)	<input type="checkbox"/> CP	<input type="checkbox"/> Other _____
K-T10581-4P	Bath and shower trim, ceramic lever handle, NPT spout	<input type="checkbox"/> CP	<input type="checkbox"/> Other _____
K-T10582-4	Bath and shower trim, metal lever handle, slip-fit spout	<input type="checkbox"/> CP	<input type="checkbox"/> Other _____
K-T10582-4P	Bath and shower trim, ceramic lever handle, slip-fit spout	<input type="checkbox"/> CP	<input type="checkbox"/> Other _____
K-T10583-4	Shower only trim, metal lever handle	<input type="checkbox"/> CP	<input type="checkbox"/> Other _____
K-T10583-4P	Shower only trim, ceramic lever handle	<input type="checkbox"/> CP	<input type="checkbox"/> Other _____
K-T10584-4	Valve only trim, metal lever handle	<input type="checkbox"/> CP	<input type="checkbox"/> Other _____
K-T10584-4P	Valve only trim, ceramic lever handle	<input type="checkbox"/> CP	<input type="checkbox"/> Other _____
K-10588	NPT diverter bath spout	<input type="checkbox"/> CP	<input type="checkbox"/> Other _____
K-10589	Slip-fit diverter bath spout	<input type="checkbox"/> CP	<input type="checkbox"/> Other _____

Product Specification

The Rite-Temp® pressure-balancing single-control bath and shower faucet trim shall be made of brass construction. Bath and shower trim shall include showerhead with arm and flange, 5-3/4" (14.6 cm) diverter spout with NPT connection, and faceplate with handle. Shower only trim shall include showerhead with arm and flange, and faceplate with handle. Valve only trim shall include faceplate with handle. Trim shall complement the Bancroft suite. Faucet trim shall be K-T_____-_____-_____- and Rite-Temp® valve shall be K-304-_____-NA OR K-2971-KS-NA HiFlow Rite-Temp® valve.

BANCROFT®

Required Accessories			
K-304-*	Rite-Temp valve OR	<input type="checkbox"/> NA	
K-2971-KS	HiFlow Rite-Temp valve with stops		<input type="checkbox"/> NA

* For a complete listing of all the Rite-Temp valves, refer to the K-304-* Specification Sheet or Roughing-In sheet.

Optional Accessories			
88526	HiFlow Rite-Temp® thin wall installation kit	<input type="checkbox"/> CP	<input type="checkbox"/> Other _____

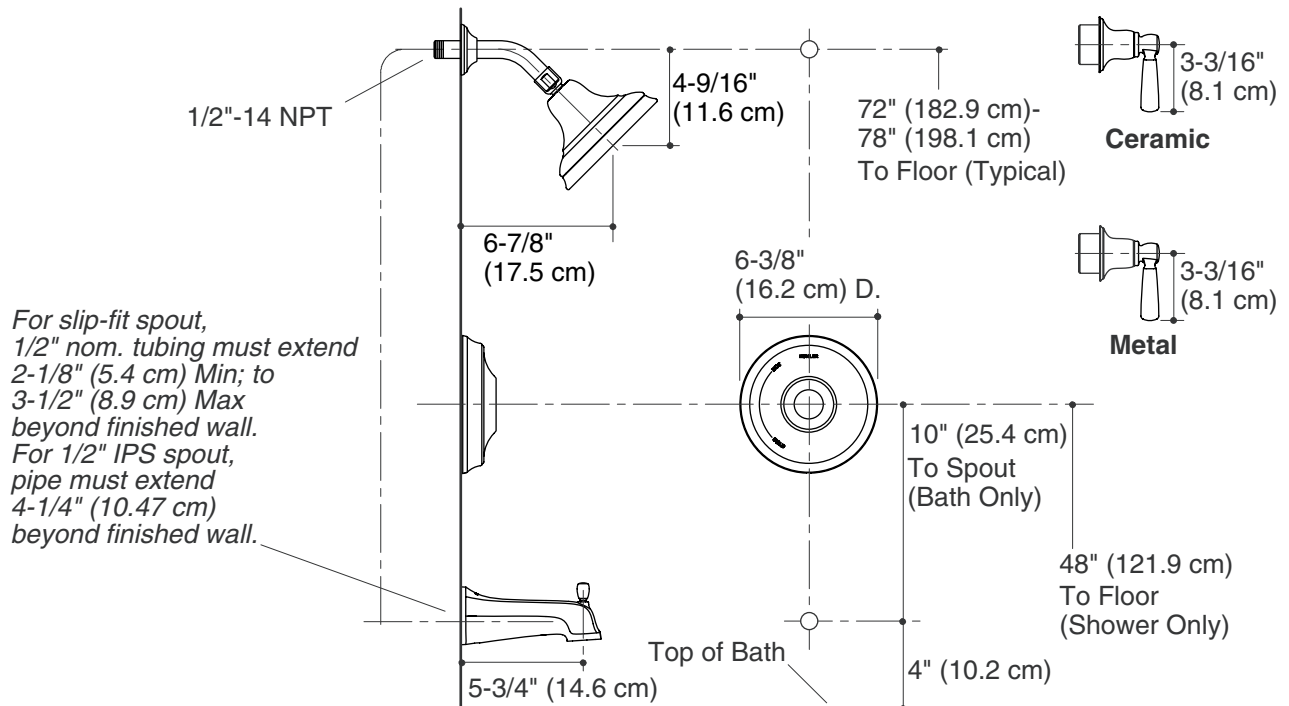
Installation Notes

Install this product according to the installation guide.

NOTICE: Risk of product damage. Long screws, for installing trim, can damage the K-2971-KS valve. Consult the trim installation guide to verify if the thin wall installation kit (88526) is needed.

Avoid cross-flow conditions. Do not install shut-off device on either valve outlet.

Install straight pipe or tube drop of 7" (17.8 cm) to 18" (45.7 cm) with single elbow between valve and wall-mount spout.

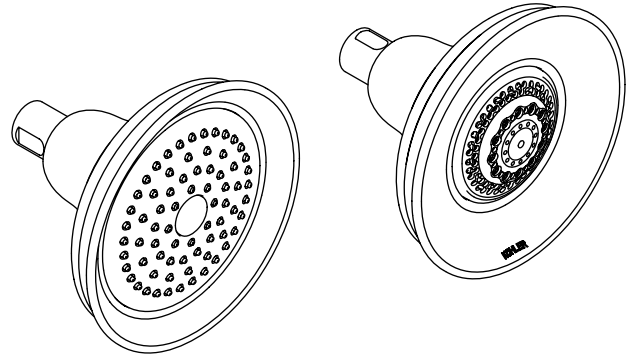


Product Diagram

Features

- MasterClean™ spray nozzles prohibit mineral build-up
- 72 individual spray nozzles
- Multi-function showerhead delivers wide, full coverage spray, aerated spray and massage spray
- 1/2" - 14 NPT connection
- Complements Bancroft™ Suite

**SHOWERHEAD
K-10590
ALSO K-10591**



Codes/Standards Applicable

Specified model meets or exceeds the following:

- ASME A112.18.1
- CSA B125
- IAPMO/UPC

Colors/Finishes

- CP: Polished Chrome
- PB: Polished Brass
- Other: Refer to Price Book for additional colors/finishes

Specified Model

Model	Description	Colors/Finishes	
K-10590	Single-function showerhead	<input type="checkbox"/> CP	<input type="checkbox"/> Other _____
K-10591	Multi-function showerhead	<input type="checkbox"/> CP	<input type="checkbox"/> Other _____
Recommended Accessory			
K-7397	7-1/2" (13.7 cm) shower arm and flange	<input type="checkbox"/> CP	<input type="checkbox"/> Other _____

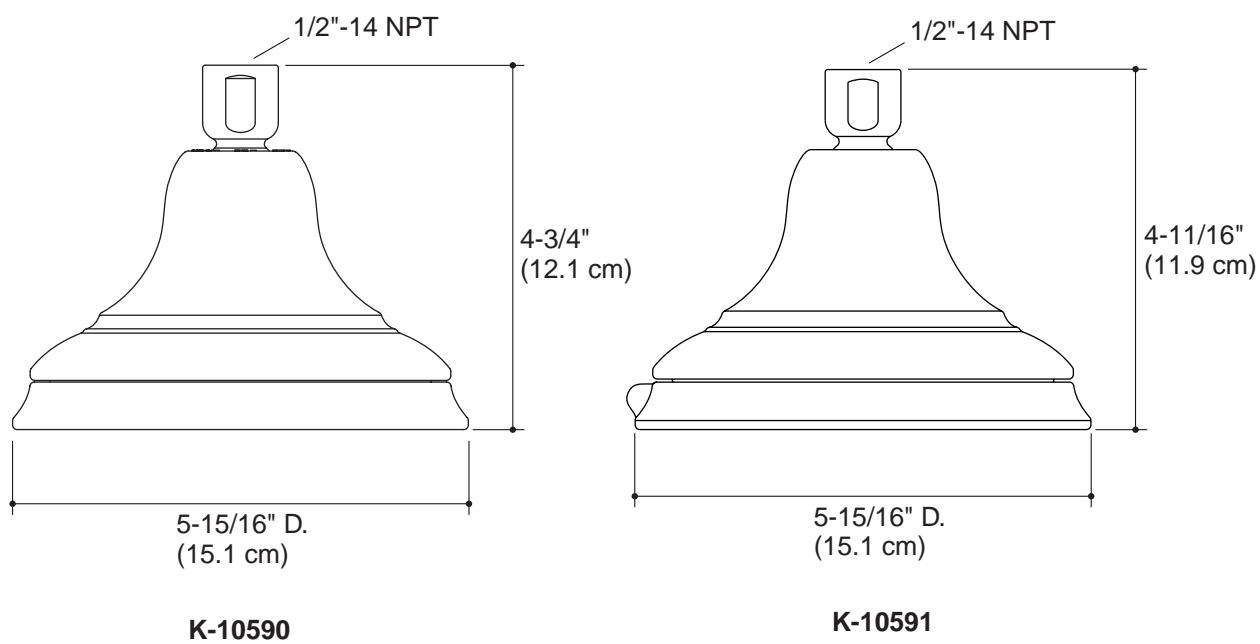
Product Specification

Showerhead shall include single or multi-function spray. Multi-function showerhead shall deliver wide, full coverage spray, soft aerated spray and therapeutic massage spray. Showerhead shall include MasterClean™ spray nozzles to prohibit mineral build-up. Showerhead shall include 72 individual spray nozzles. Showerhead shall have 1/2"-14 NPT connection. Showerhead shall be part of Bancroft Suite. Showerhead shall be Kohler Model K-_____-____.

BANCROFT™

Installation Notes

Install this product according to the installation guide.



Product Diagram

Features

- Brass construction
- Front seal plate assembly
- Handle assembly
- Complements Bancroft™ Suite
- Lever handle(s)

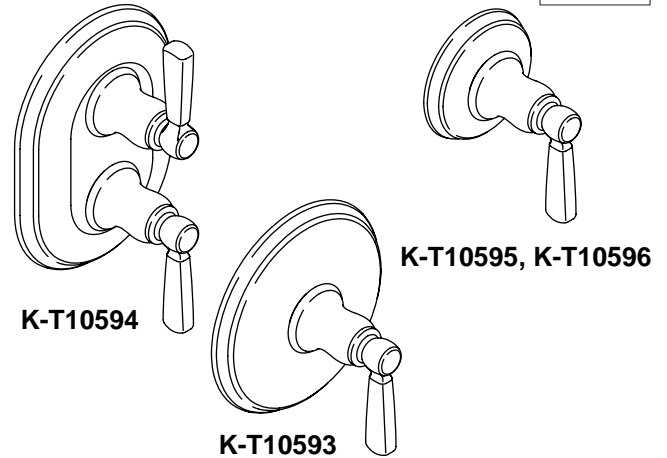
THERMOSTATIC FAUCET TRIM
K-T10593
ALSO K-T10594, K-T10595, K-T10596

ADA

Codes/Standards Applicable

Specified model meets or exceeds the following:

- ASME A112.18.1
- ASSE 1016
- CSA B125
- IAPMO/UPC
- ADA



Colors/Finishes

- CP: Polished Chrome
- Other: Refer to Price Book for additional colors/finishes
- NA: None applicable

Specified Model

For complete faucet, both faucet trim and valving must be specified.			
Model	Description	Colors/Finishes	
K-T10593-4	Thermostatic valve trim, metal lever handle	<input type="checkbox"/> CP	<input type="checkbox"/> Other _____
K-T10593-4P	Thermostatic valve trim, ceramic lever handle	<input type="checkbox"/> CP	<input type="checkbox"/> Other _____
K-T10594-4	Stacked thermostatic valve trim, metal lever handle	<input type="checkbox"/> CP	<input type="checkbox"/> Other _____
K-T10594-4P	Stacked thermostatic valve trim, ceramic lever handle	<input type="checkbox"/> CP	<input type="checkbox"/> Other _____
K-T10595-4	Transfer valve trim, metal lever handle	<input type="checkbox"/> CP	<input type="checkbox"/> Other _____
K-T10595-4P	Transfer valve trim, ceramic lever handle	<input type="checkbox"/> CP	<input type="checkbox"/> Other _____
K-T10596-4	Volume control trim, metal lever handle	<input type="checkbox"/> CP	<input type="checkbox"/> Other _____
K-T10596-4P	Volume control trim, ceramic lever handle	<input type="checkbox"/> CP	<input type="checkbox"/> Other _____

Required Accessory		
K-669-KS	3/4" Thermostatic valve	<input type="checkbox"/> NA
K-670-KS	3/4" Stacked thermostatic valve	<input type="checkbox"/> NA
K-671-K	3/4" Volume control	<input type="checkbox"/> NA
K-672-K	3/4" Transfer valve	<input type="checkbox"/> NA

Required accessory continued on page 2.

Product Specification

Thermostatic faucet trim shall be of brass construction. Trim shall include front seal plate assembly and handle assembly. Product shall have lever handle(s). Trim shall complement the Bancroft Suite. Faucet trim shall be Kohler Model K-T____-____-____ and thermostatic valving shall be K-____-____-NA.

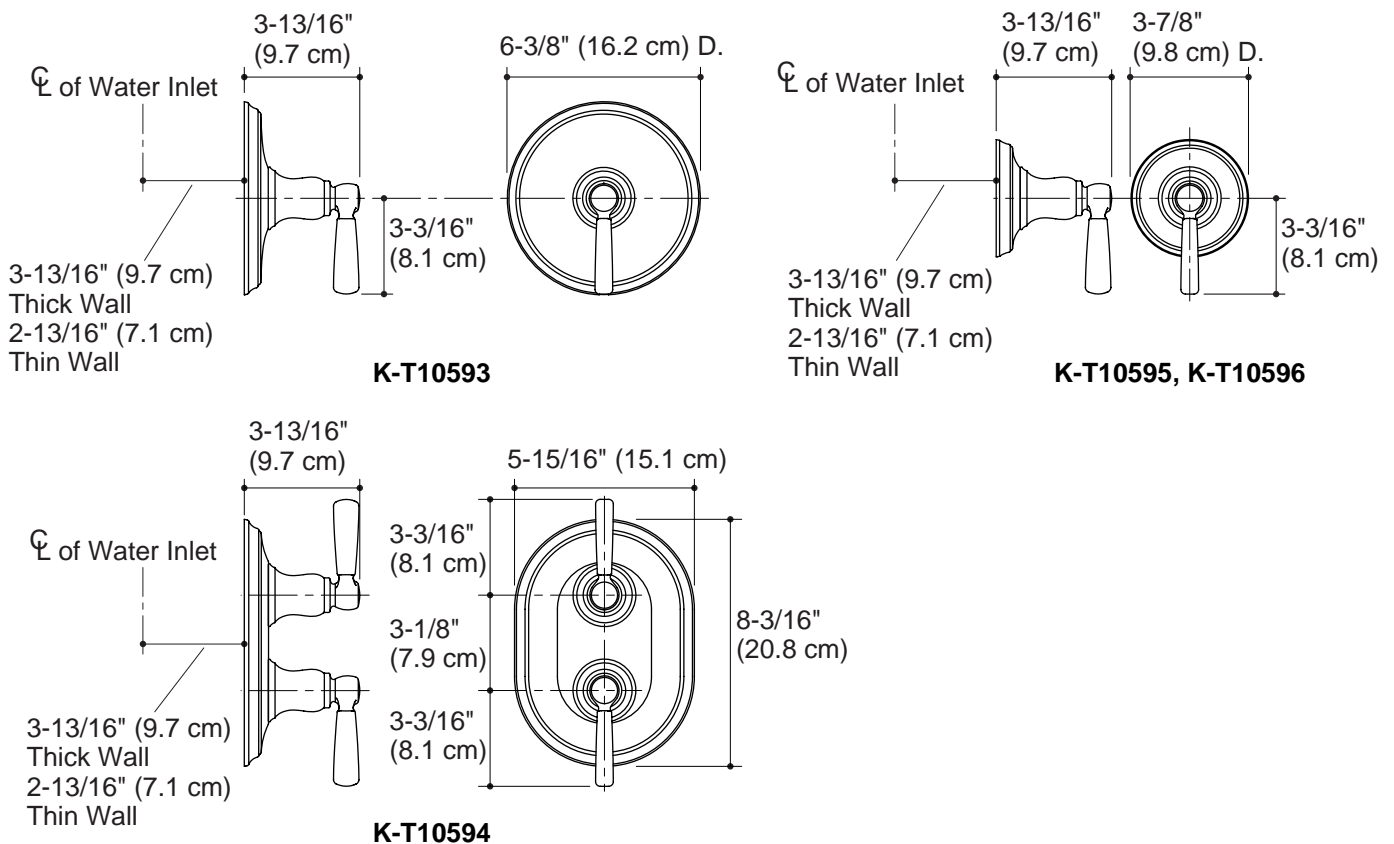
BANCROFT™

Required Accessory (continued)

K-679-KS	1/2" Thermostatic valve	<input type="checkbox"/> NA
K-680-KS	1/2" Stacked thermostatic valve	<input type="checkbox"/> NA
K-681-K	1/2" Volume control	<input type="checkbox"/> NA

Installation Notes

Install this product according to the installation guide.



Product Diagram