

KOHLER® Roughing-In

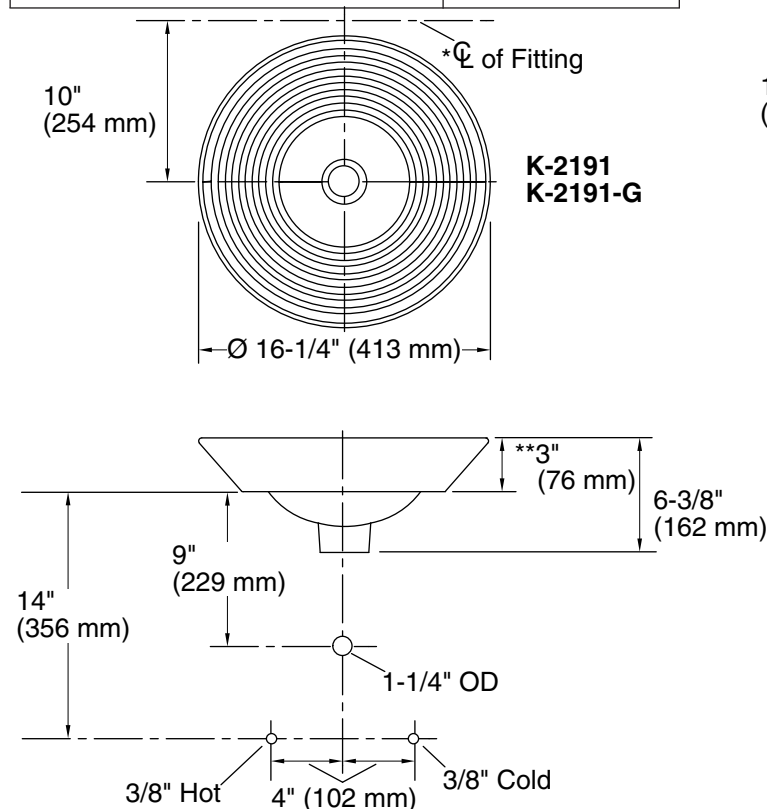
K-2191, K-2200, K-14223 ABOVE-COUNTER BATHROOM SINK

Product Information

Applicable product:	
Above-counter bathroom sink	K-2191
Above-counter bathroom sink – glazed underside	K-2191-G
Above-counter bathroom sink	K-2200
Above-counter bathroom sink – glazed underside	K-2200-G
Above-counter bathroom sink – Artist Editions	K-14222
Above-counter bathroom sink – Artist Editions	K-14223
Above-counter bathroom sink – Artist Editions	K-45922

Fixture*:	
Bowl area	Ø 15-7/8" (403 mm)
Water depth	4-1/4" (108 mm)
Drain hole	Ø 1-3/4" (44 mm)
* Approximate measurements for comparison only.	

Included components:	
Adjustable linkage	84474
Cut-out template	1002980-7



Installation Notes

Install this product according to the installation guide.

Product does not have an overflow.

*Spout must be 5" (127 mm) long (min) for adequate clearance into the bathroom sink when installed with centerline as shown.

**Spout must be tall enough to clear 3" (76 mm) rim height and provide a 1" (25 mm) air gap per ASME A112.1.2

NOTICE: Countertop manufacturer or cutter **must** use the cut-out template provided with the product, or a current one provided by Kohler Co. (call 1-800-4-KOHLER). Kohler Co. is not responsible for cut-out errors when the incorrect cut-out template is used.

Will comply with **ADA** when installed per Section 606 Lavatories of the Act.

Will comply with **CSA B651** when installed per Clause 4.3.3 of the standard.

Will comply with **OBC** when installed per Clause 3.8.3.11.

Fixture conforms to ASME Standard A112.19.2/CSA B45.1. All dimensions are nominal.

