

## Features

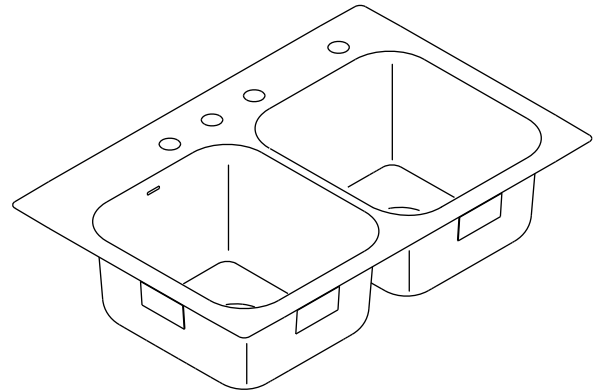
- 18-gauge stainless steel
- Double equal basins
- Includes installation hardware
- Top-mount or under-mount
- Includes bottom bowl rack (QTY = 1)
- 33-3/8" (848 mm) x 22-3/8" (568 mm) x 8-3/4" (222 mm)

## Codes/Standards Applicable

Specified model meets or exceeds the following:

- ASME A112.19.3/CSA B45.4

## SLIM-RIM FAUCET DECK KITCHEN SINK K-5797



## Colors/Finishes

- NA: None applicable

## Accessories

- ST: Stainless Steel
- NA: None applicable

## Specified Model

Model	Description	Colors/Finishes
K-5797-1	Slim-rim faucet deck kitchen sink – single-hole	<input type="checkbox"/> NA
K-5797-3	Slim-rim faucet deck kitchen sink – 3-hole	<input type="checkbox"/> NA
K-5797-4	Slim-rim faucet deck kitchen sink – 4-hole (shown)	<input type="checkbox"/> NA

### Included Accessories

K-6401	Bottom bowl rack (QTY = 1)	<input type="checkbox"/> ST
--------	----------------------------	-----------------------------

### Optional Accessories

1177161	Hardware kit for countertops with a 2-1/2" (64 mm) thickness or less	<input type="checkbox"/> NA
---------	--	-----------------------------

## Product Specification:

The top-mount/under-mount sink shall be 33-3/8" (848 mm) in length and 22-3/8" (568 mm) in width. Sink shall be made of 18 gauge stainless steel. Sink shall be double (equal) compartment. Sink shall include installation hardware and bottom bowl rack. Sink shall be Kohler Model K-5797-\_\_\_\_-NA.

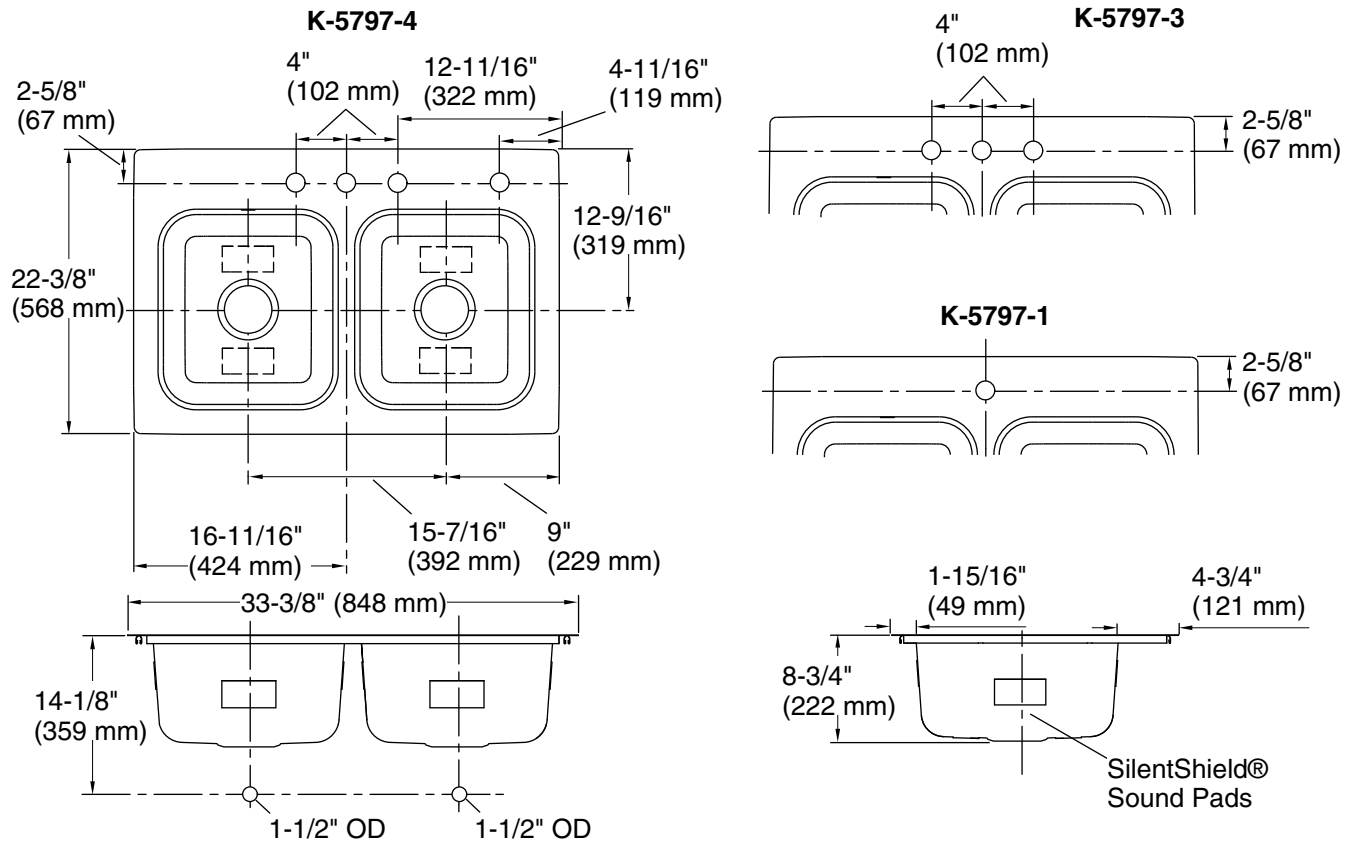
## Technical Information

Fixture*:	
Bowl area	15-11/16" (398 mm) x 14-1/8" (359 mm) 15-11/16" (398 mm) x 14-1/8" (359 mm)
Water depth	8-3/4" (222 mm)
Drain hole	Ø 3-5/8" (92 mm)
* Approximate measurements for comparison only.	

Included components:	
Hardware kit – top-mount	1177160
Cut-out template	1176933-7

## Installation Notes

Install this product according to the installation guide.



## Product Diagram