

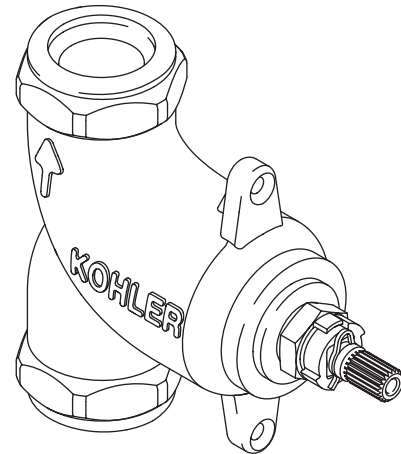
Features

- Brass construction
- Wall-mount
- Brass valve body
- 1/2" or 3/4" quarter-turn washerless ceramic disc valve
- 1/2" or 3/4" NPT connections
- Single-handle control
- Intended for use with Kohler® thermostatic mixer valving

Codes/Standards Applicable

Specified model meets or exceeds the following:

- ASME A112.18.1
- CSA B125
- IAPMO/UPC



Colors/Finishes

- NA: None applicable

Specified Model

Model	Description	Colors/Finishes
K-671-K	3/4" volume control valve	<input type="checkbox"/> NA
K-681-K	1/2" volume control valve	<input type="checkbox"/> NA

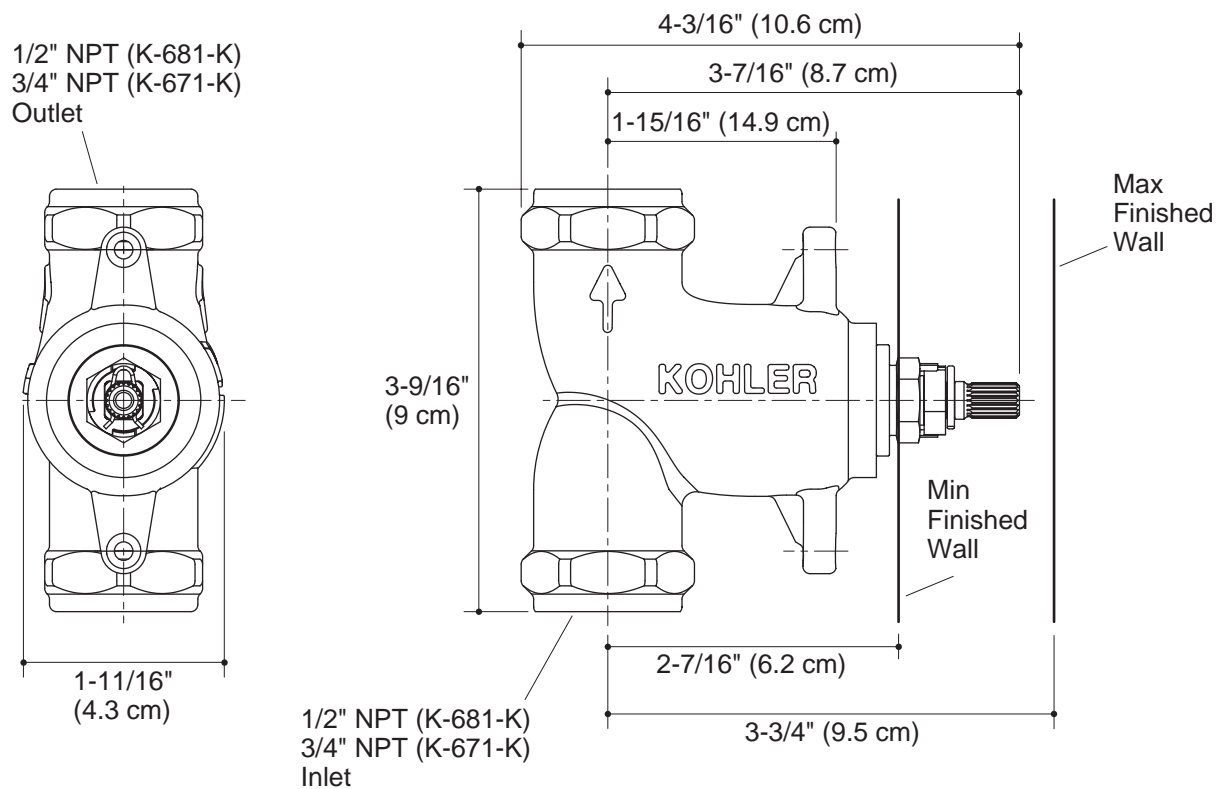
Product Specification

Single-handle wall-mount volume control valve shall be of brass construction. Product shall feature a 1/2" or 3/4" quarter-turn washerless ceramic disc valve, assuring positive handle stop positioning. Product shall be available with 1/2" or 3/4" NPT connections. Product shall feature a brass valve body. Product is intended for use with Kohler thermostatic mixer valving. Product shall be Kohler Model K-____-K-NA.

MASTERSHOWER™

Installation Notes

Install this product according to the installation guide.



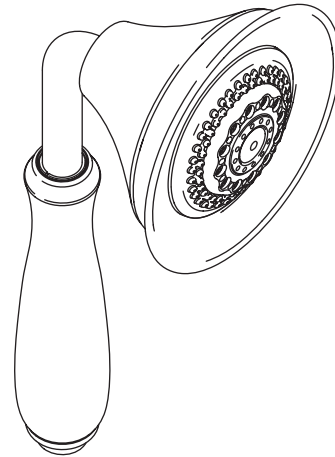
Product Diagram

Features

- Adjustable oversized sprayface
- MasterClean™ sprayface resists hard water buildup and is easy to clean
- Ergonomic sprayhead pivots for targeted hydromassage or for rinsing the shower enclosure
- Complements Forte® faucet line
- 2.5 gallon (9.5 L) per minute flow rate [K-10286]
- Full-coverage, therapeutic massage, soft-aerated spray, and ADA compliant water-saving eco spray options [K-10286]
- Ecoefficient™ 1.75 gallon (6.6 L) per minute flow rate [K-10298]
- Wide-coverage, medium-coverage, and forceful utility spray options [K-10298]

MULTI-FUNCTION HANDSHOWER
K-10286
ALSO K-10298

ADA



Codes/Standards Applicable

Specified model meets or exceeds the following:

- ASME 112.18.1/CSA B125
- IAPMO/UPC
- CSA International
- ADA [K-10286 only]

Colors/Finishes

- CP: Polished Chrome
- Other: Refer to Price Book for additional colors/finishes

Accessories

- CP: Polished Chrome

Specified Model

Model	Description	Colors/Finishes	
K-10286	Handshower – 2.5 gallon (9.5 L) per minute flow rate	<input type="checkbox"/> CP	<input type="checkbox"/> Other ____
K-10298	Handshower – Ecoefficient 1.75 gallon (6.6 L) per minute flow rate	<input type="checkbox"/> CP	<input type="checkbox"/> Other ____
Required Accessory			
K-8593	72" (182.9 cm) metal shower hose OR	U	<input type="checkbox"/> CP
K-9514	60" (152.4 cm) metal shower hose		<input type="checkbox"/> CP

Product Specification

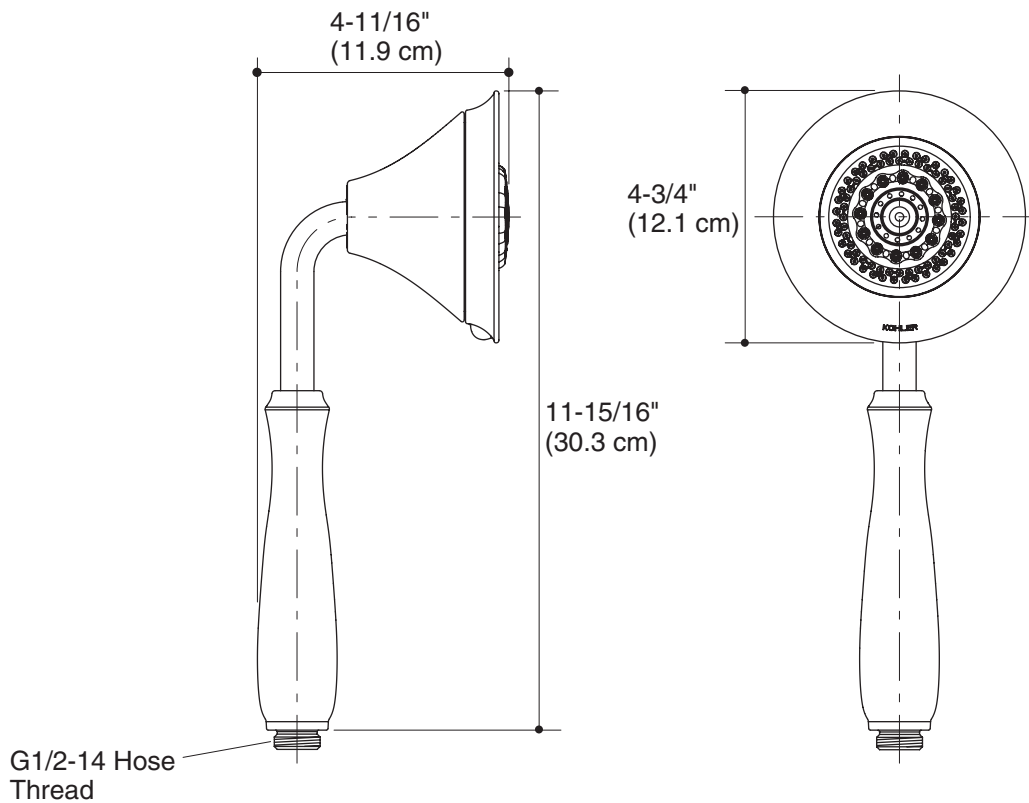
Multi-function handshower shall feature an adjustable oversized sprayface. Product shall feature a Masterclean sprayface which resists hard water buildup and is easy to clean. Product shall feature an ergonomic sprayhead which pivots for targeted hydromassage or for rinsing the shower enclosure. Product shall be available with a 2.5 gallon (9.5 L) per minute flow rate [K-10286] or Ecoefficient 1.75 gallon (6.6 L) per minute flow rate [K-10298]. Product shall feature full-coverage, therapeutic massage, soft-aerated spray, and ADA compliant water-saving eco spray options [K-10286] or wide-coverage, medium-coverage, and forceful utility spray options [K-10298]. Handshower shall complement the Forté faucet line. Product shall be Kohler Model K-____-____.

FORTÉ®

Installation Notes

Install this product according to the installation guide.

Plumbing codes require an atmospheric vacuum breaker (such as Kohler Model K-9660) be installed in line with handshowers. Please consult with local plumbing officials.



Product Diagram

Features

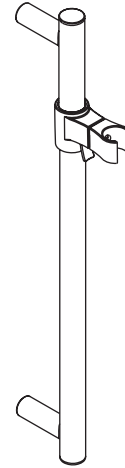
- Metal construction

Codes/Standards Applicable

Specified model meets or exceeds the following:

- None applicable

SLIDE BAR
K-8524
ALSO K-9069



Colors/Finishes

- CP: Polished Chrome
- Other: Refer to Price Book for additional colors/finishes

Specified Model

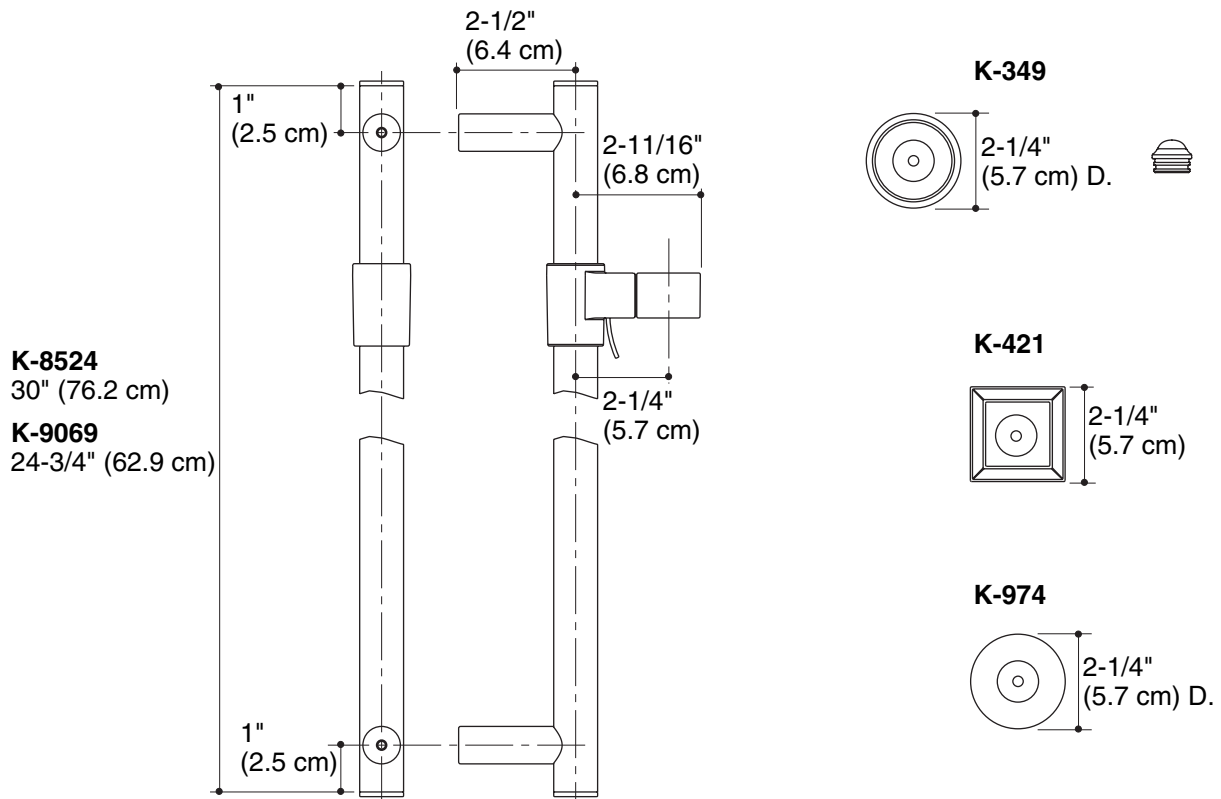
Model	Description	Colors/Finishes	
K-8524	Slide bar - 30" (76.2 cm)	<input type="checkbox"/> CP	<input type="checkbox"/> Other ____
K-9069	Slide bar - 24-3/4" (62.9 cm)	<input type="checkbox"/> CP	<input type="checkbox"/> Other ____
Optional Accessories			
K-349	Forté [®] /Bancroft [™] slide bar trim	<input type="checkbox"/> CP	<input type="checkbox"/> Other ____
K-421	Memoirs [®] slide bar trim	<input type="checkbox"/> CP	<input type="checkbox"/> Other ____
K-974	Stillness [®] slide bar trim	<input type="checkbox"/> CP	<input type="checkbox"/> Other ____

Product Specification

Slide bar shall be of metal construction. Product shall be Kohler Model K-____-____.

Installation Notes

Install this product according to the installation guide.



Product Diagram

Features

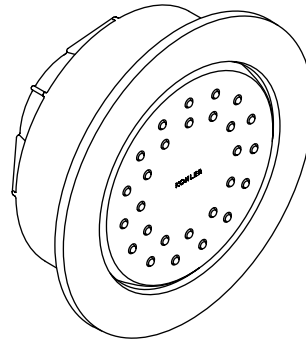
- 1/2" NPT connections
- Available 27- or 54-nozzle configurations
- 2 gallons (7.6 L) per minute flow rate (at 80 psi)

BODYSPRAY
K-8013
ALSO K-8014

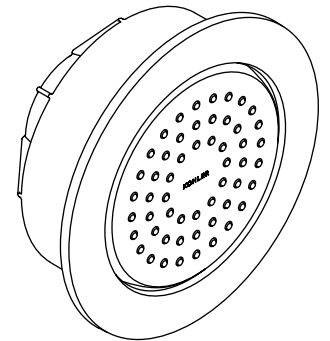
Codes/Standards Applicable

Specified model meets or exceeds the following:

- IAPMO/cUPC
- ASME A112.18.1/CSA B125.1
- Energy Policy Act of 1992



K-8013



K-8014

Colors/Finishes

- CP: Polished Chrome
- Other: Refer to Price Book for additional colors/finishes

Specified Model

Model	Description	Colors/Finishes	
K-8013	27-nozzle bodyspray	<input type="checkbox"/> CP	<input type="checkbox"/> Other_____
K-8014	54-nozzle bodyspray	<input type="checkbox"/> CP	<input type="checkbox"/> Other_____

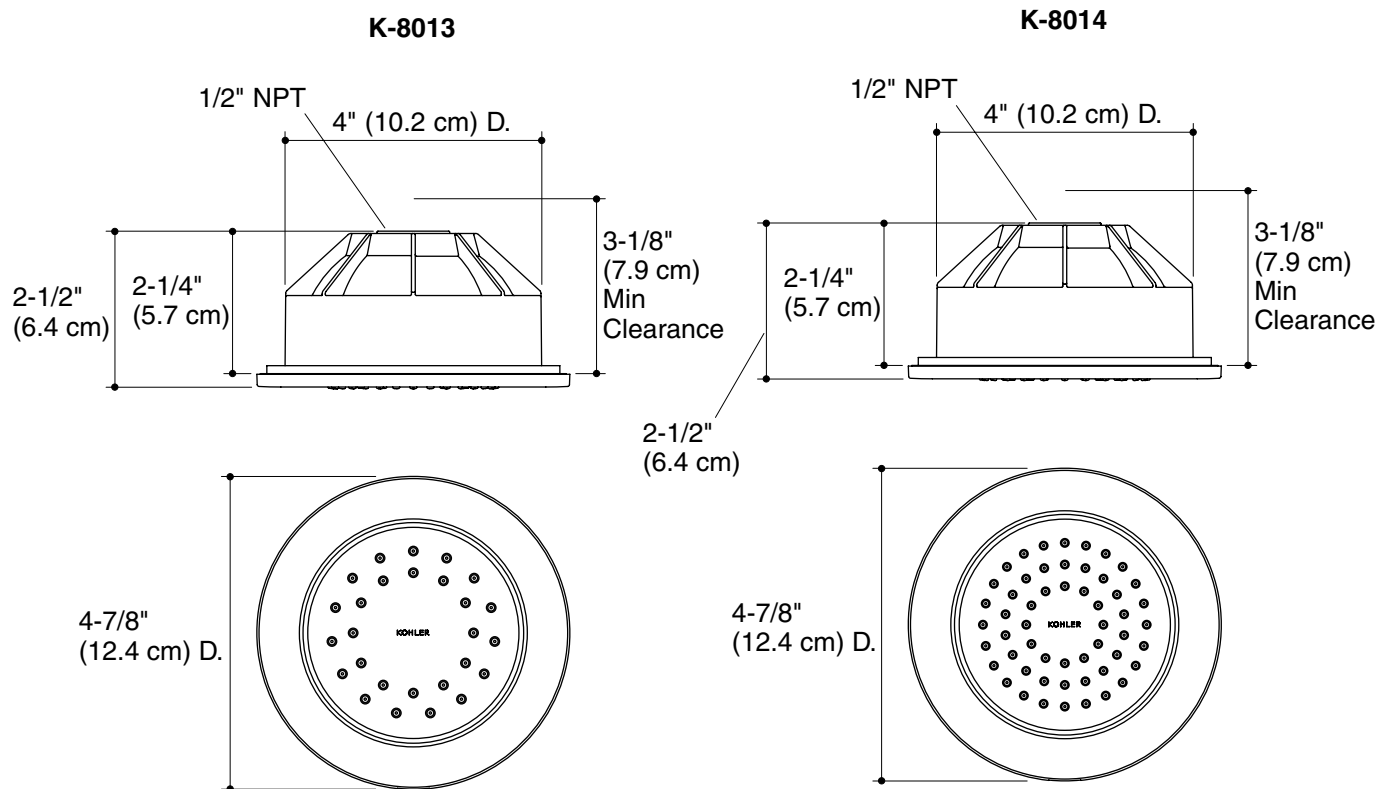
Product Specification

Bodyspray shall feature 27-nozzle or 54-nozzle spray configurations. Product flow rate shall be 2 gallons (7.6 L) per minute maximum at 80 psi. Bodyspray shall have 1/2" NPT connection. Bodyspray shall be Kohler Model K-____-____.

WATERTILE™ ROUND

Installation Notes

Install this product according to the installation guide.



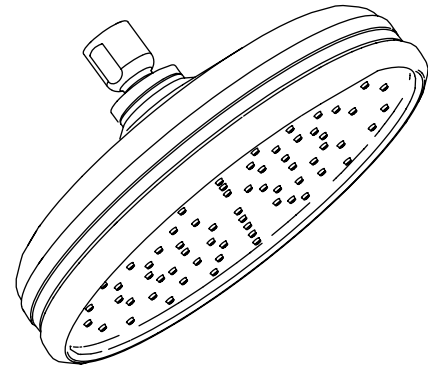
Product Diagram

TRADITIONAL ROUND

**RAIN SHOWERHEAD
K-13692
ALSO K-13693, K-13694**

Features

- Single function Rain showerhead
- MasterClean™ spray nozzles to prohibit mineral build-up for easy cleaning
- Katalyst™ Spray Technology with air induction ball joint (patent pending)
- Optimized spray face for maximum performance
- Solid brass construction
- 2.5 gallon (9.5 L) per minute flow rate
- 1/2" - 14 NPT connection



Codes/Standards Applicable

Specified model meets or exceeds the following:

- ASME A112.18.1/CSA B125.1

Colors/Finishes

- CP: Polished Chrome
- Other: Refer to Price Book for additional colors/finishes

Accessories

- CP: Polished Chrome
- Other: Refer to Price Book for additional colors/finishes

Specified Model

Model	Description	Size	Nozzles	Colors/Finishes	
K-13692	Rain showerhead	8-7/16" (21.4 cm)	78	<input type="checkbox"/> CP	<input type="checkbox"/> Other____
K-13693	Rain showerhead	10-7/16" (26.5 cm)	78	<input type="checkbox"/> CP	<input type="checkbox"/> Other____
K-13694	Rain showerhead	12-7/16" (31.6 cm)	102	<input type="checkbox"/> CP	<input type="checkbox"/> Other____

Optional Accessories					
K-7392	12" (30.5 cm) straight ceiling-mount shower arm and flange			<input type="checkbox"/> CP	<input type="checkbox"/> Other____
K-7394	6" (15.2 cm) straight ceiling-mount shower arm and flange			<input type="checkbox"/> CP	<input type="checkbox"/> Other____
K-7396	3" (7.6 cm) straight ceiling-mount shower arm and flange			<input type="checkbox"/> CP	<input type="checkbox"/> Other____
K-10124	Right-angle shower arm and flange			<input type="checkbox"/> CP	<input type="checkbox"/> Other____

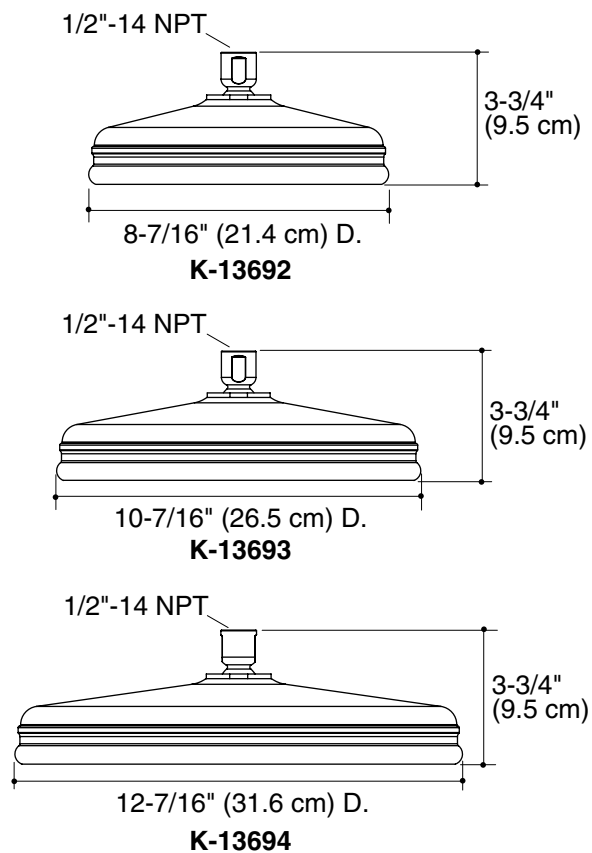
Product Specification

The single function rain showerhead shall be made of solid brass construction with MasterClean™ spray nozzles to prohibit mineral build up for easy cleaning. Showerhead shall have Katalyst™ spray technology with air induction ball joint (patent pending) and optimized spray face for maximum performance. Showerhead shall have a flow rate of 2.5 gallons (9 L) per minute. Showerhead shall have a 1/2"-14 NPT connection. Showerhead shall be Kohler Model K-13692-____, K-13693-____ or K-13694-____.

TRADITIONAL ROUND

Installation Notes

Install this product according to the installation guide.



Product Diagram

Features

- Accessories for MasterShower® handshower system

**PERFORMANCE SHOWERING
ACCESSORIES
K-8515**

Codes/Standards Applicable







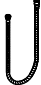
Specified model meets or exceeds the following:

- ASME A112.18.1/CSA B125.1
- IAPMO/cUPC

Colors/Finishes

- CP: Polished Chrome
- PB: Vibrant® Polished Brass
- Other: Refer to Price Book for additional colors/finishes

Specified Model

Model/Description	
K-8515 Wall bracket <input type="checkbox"/> CP <input type="checkbox"/> PB <input type="checkbox"/> Other_____	
K-8516 Slidebar with hose <input type="checkbox"/> CP <input type="checkbox"/> PB <input type="checkbox"/> Other_____	
K-8517 Adjustable bracket with hose <input type="checkbox"/> CP <input type="checkbox"/> PB <input type="checkbox"/> Other_____	
K-9515 Adjustable bracket <input type="checkbox"/> CP <input type="checkbox"/> PB <input type="checkbox"/> Other_____	
K-9516 Slide bar <input type="checkbox"/> CP <input type="checkbox"/> PB <input type="checkbox"/> Other_____	
K-9513 Wall supply elbow <input type="checkbox"/> CP <input type="checkbox"/> PB <input type="checkbox"/> Other_____	
K-9514 60" Metal shower hose <input type="checkbox"/> CP <input type="checkbox"/> PB	

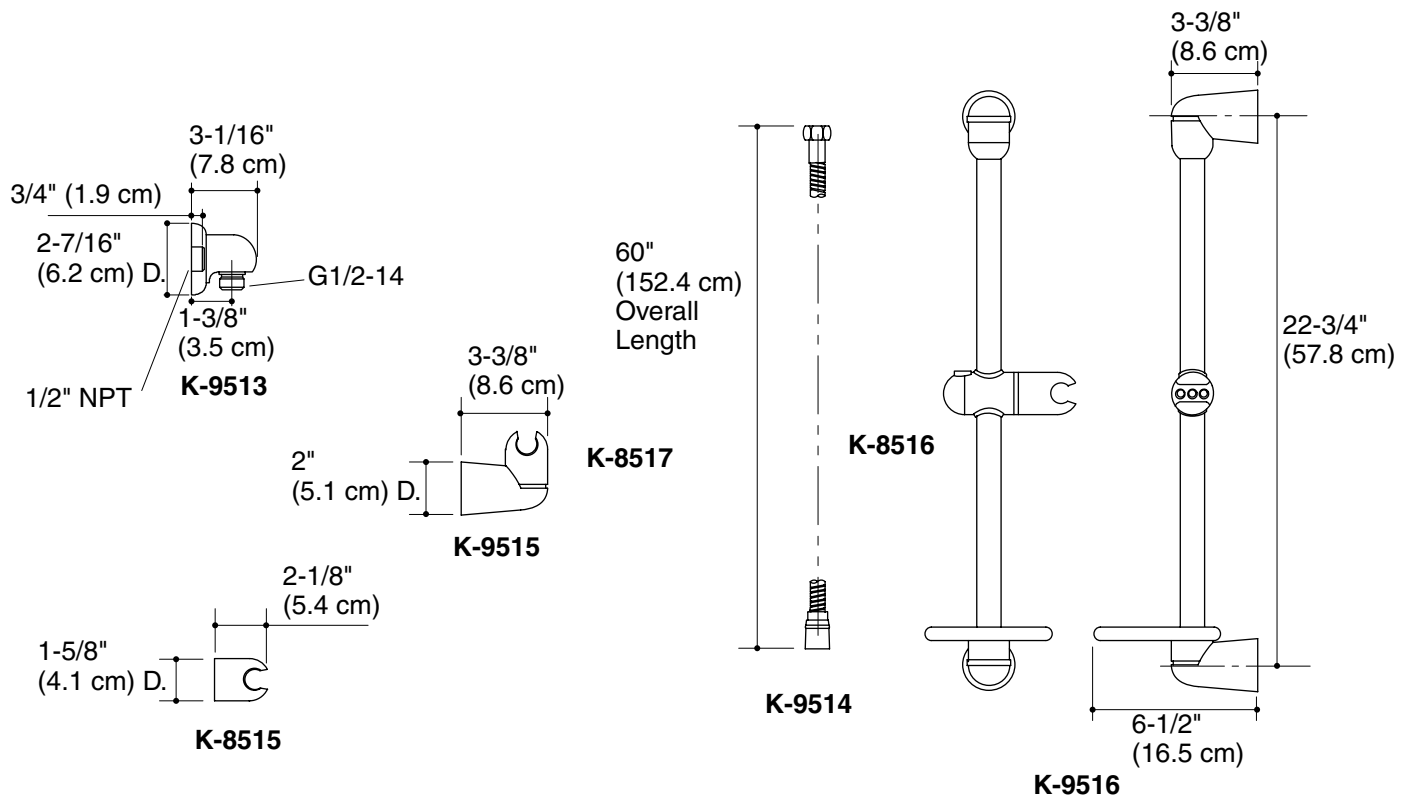
Product Specification

Performance showering accessories shall include accessories for MasterShower® handshower system. Accessories shall be Kohler Model K-____-____.

MASTERSHOWER®

Installation Notes

Install this product according to the installation guide.



Product Diagram

Features

- Brass construction
- 1/2" - 14 NPT connection
- Wall-mount flange

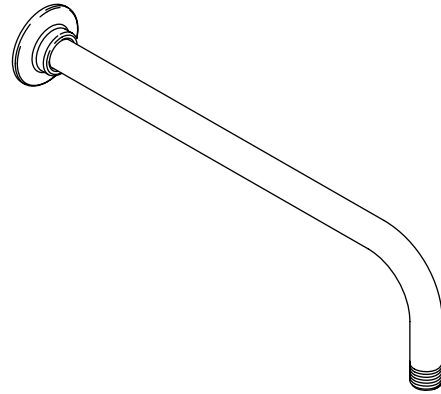
Codes/Standards Applicable

Specified model meets or exceeds the following:

- ASME A112.18.1

**RIGHT-ANGLE SHOWER ARM AND
FLANGE**

K-10124



Colors/Finishes

- CP: Polished Chrome

Specified Model

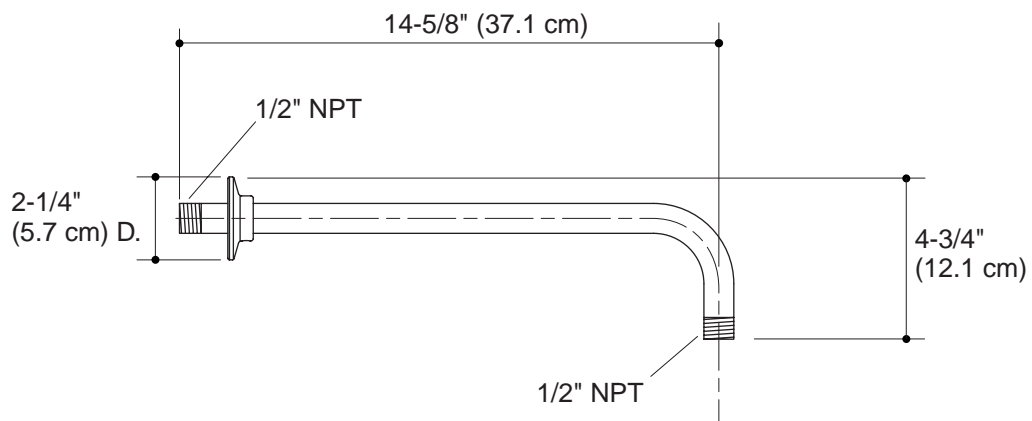
Model	Description	Color/Finish
K-10124	Right-angle shower arm and flange	<input type="checkbox"/> CP

Product Specification

Shower arm shall be of brass pipe construction. Product shall have 1/2"-14 NPT thread at both ends. Product shall have wall-mount flange. Shower arm shall be Kohler Model K-10124-_____.

Installation Notes

Install this product according to the installation guide.

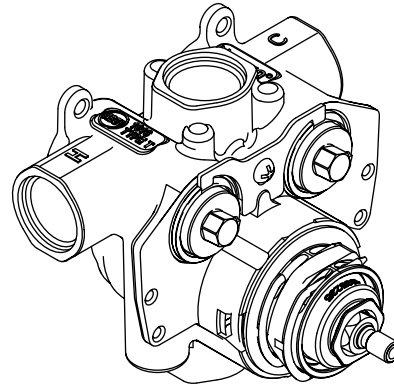


Product Diagram

**3/4" THERMOSTATIC MIXER
K-2975-KS**

Features

- Forged brass valve body
- Single-handle temperature control
- High-flow valving
- High-temperature limit setting for added safety
- Temperature-balancing mechanism
- Scald hazard prevention
- Integral stops
- Crossflow prevention
- 3/4" NPT connections
- Filter screens
- Dual outlet (Bath – bottom, shower – top)
- Less volume control



Codes/Standards Applicable

Specified model meets or exceeds the following:

- ASSE 1016
- ASME A112.18.1/CSA B125.1

Colors/Finishes

- NA: None applicable

Accessories

- NA: None applicable

Specified Model

Model	Description	Colors/Finishes
K-2975-KS	3/4" thermostatic mixer - less volume control	<input type="checkbox"/> NA
Required Accessories		
K-2974-K	1/2" volume control valve - for use on bath and shower outlets	<input type="checkbox"/> NA
K-2977-K	3/4" volume control valve - for use on bath and shower outlets	<input type="checkbox"/> NA
Optional Accessories		
K-9663	Twin ell - for use with diverter bath spouts only	<input type="checkbox"/> NA

Product Specification

The thermostatic mixer less volume control shall have a forged brass valve body. Product shall feature single-handle temperature control, high-flow valving, high-temperature limit stop for added safety, and temperature-balancing mechanism. Product shall feature integral stops, crossflow prevention, filter screens, and scald hazard prevention. Product shall have 3/4" NPT connections. Product shall have two outlets, the bottom one for bath and the top one for shower. The thermostatic mixer shall be Kohler Model K-2975-KS-NA and the required volume control valve shall be K-____-K-NA.

MASTERSHOWER®

Installation Notes

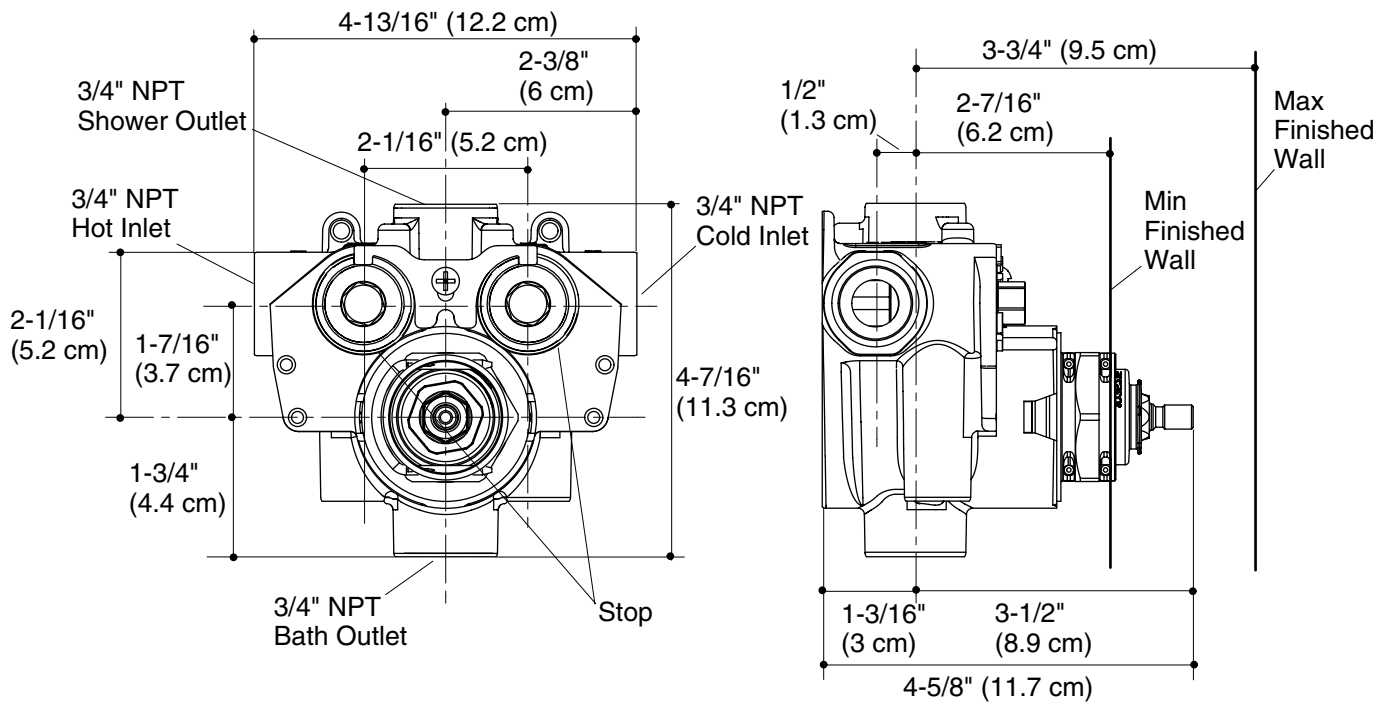
Install this product according to the installation guide.

The K-2975-KS thermostatic mixer valve requires a separate volume control valve, K-2974-K or K-2977-K, for each bath and/or shower outlet.

For bath-only or shower-only installations, an NPT plug must be installed in any unused outlet.

The lower port of the thermostatic mixer is intended for use with a bath spout only. If a bath spout is not used with this product, the lower port must be plugged.

For installations with a diverter spout, a twin ell, K-9663, is required between the valve and the spout. It is acceptable for the supply to the K-9663 twin ell to run from the top or bottom port through the volume control valve if the remaining unused port is plugged.



Product Diagram

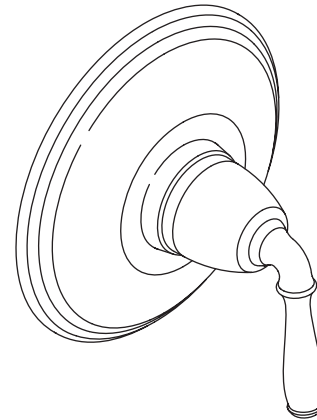
Features

- Brass construction
- Available with lever handle
- Front seal plate assembly
- Complements Devonshire® Suite
- Intended for use with Kohler valves

Codes/Standards Applicable

Specified model meets or exceeds the following:

- ASME 112.18.1/CSA B125
- IAPMO/cUPC
- ADA



Colors/Finishes

- CP: Polished Chrome
- Other: Refer to Price Book for additional colors/finishes
- NA: None applicable

Specified Model

Model	Description	Colors/Finishes	
K-T10357-4	Thermostatic valve trim	<input type="checkbox"/> CP	<input type="checkbox"/> Other ____
K-T10358-4	Volume control valve trim	<input type="checkbox"/> CP	<input type="checkbox"/> Other ____

Required Valve		
K-669-KS	3/4" thermostatic valve	<input type="checkbox"/> NA
K-671-K	3/4" volume control valve	<input type="checkbox"/> NA
K-679-KS	1/2" thermostatic valve	<input type="checkbox"/> NA
K-681-K	1/2" volume control valve	<input type="checkbox"/> NA

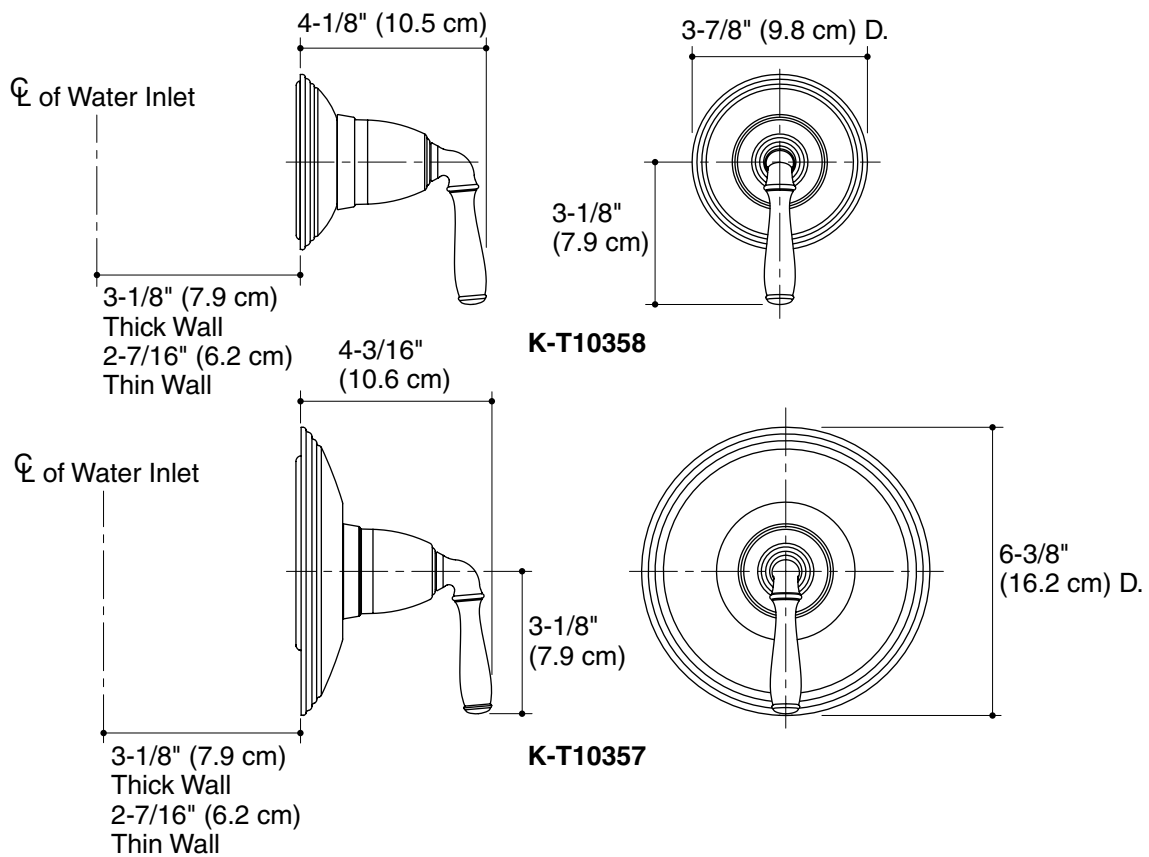
Product Specification

Thermostatic faucet trim shall be of brass construction. Trim shall include front seal plate assembly. Product shall be available with lever handle. Trim shall complement the Devonshire Suite. Faucet trim shall be Kohler Model K-T____-4-____ and required valving shall be K-____-____-NA.

DEVONSHIRE®

Installation Notes

Install this product according to the installation guide.



Product Diagram