

Features

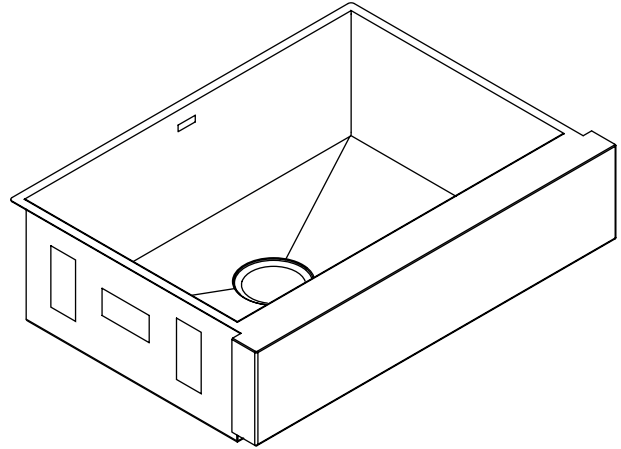
- 18-gauge stainless steel
- Undercounter
- Medium single basin
- Includes bottom basin rack
- Includes installation hardware
- Use for standard 30" (76.2 cm) cabinet
- 29-1/2" (74.9 cm) x 21-1/4" (54 cm)

Codes/Standards Applicable

Specified model meets or exceeds the following:

- ASME A112.19.3/CSA B45.4

UNDERCOUNTER APRON FRONT KITCHEN SINK K-3936



Colors/Finishes

- NA: None applicable

Accessories

- CP: Polished Chrome
- ST: Stainless Steel
- Other: Refer to Price Book for additional colors/finishes

Specified Model

Model	Description	Colors/Finishes
K-3936	Undercounter apron front kitchen sink	<input type="checkbox"/> NA
Included Accessories		
K-6466	Bottom basin rack	<input type="checkbox"/> ST
Optional Accessories		
K-8801	Duostrainer® sink strainer	<input type="checkbox"/> CP <input type="checkbox"/> Other _____

Product Specification

The undercounter apron front sink shall be made of 18-gauge stainless steel. Sink shall have medium single basin. Sink shall include bottom basin rack and installation hardware. Sink shall be 29-1/2" (74.9 cm) in length, 21-1/4" (54 cm) in width. Sink shall be used for standard 30" (76.2 cm) cabinet. Sink shall be Kohler Model K-3936-NA.

Technical Information

Fixture*:	
Basin area	26-1/2" (67.3 cm) x 17-3/16" (43.7 cm)
Water depth	9" (22.9 cm)
Drain hole	3-11/16" (9.4 cm) D.
* Approximate measurements for comparison only.	

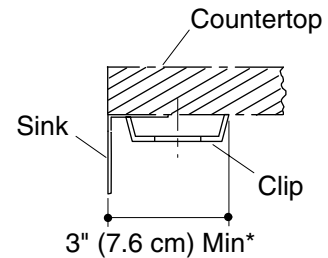
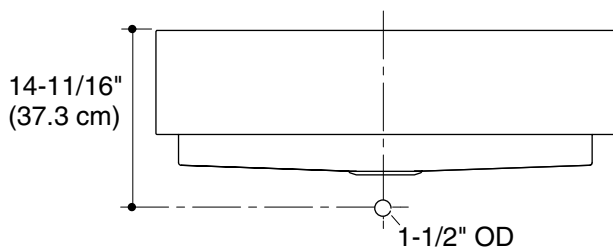
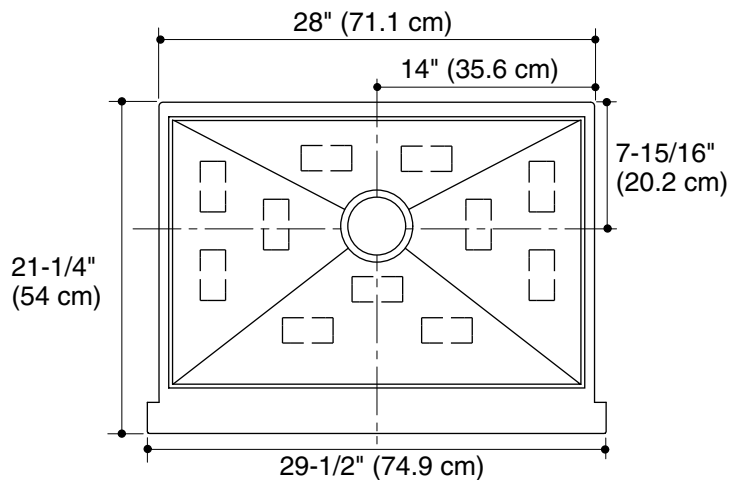
Included components:	
Hardware kit (4 required)	91915
Cut-out template	1166718-7

Installation Notes

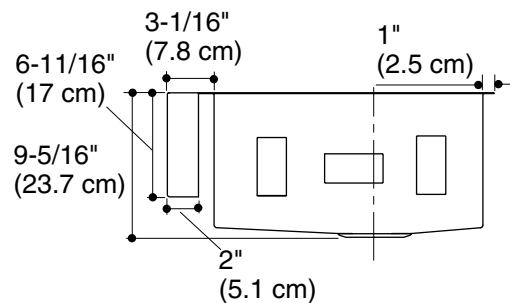
Install this product according to the installation guide.

Allow a minimum of 3" (7.6 cm) clearance for the back 1" (2.5 cm) sink rim flange for clip attachment.

The 3/4" (1.9 cm) side rim flanges are supported without using the clip attachment. See the installation guide for further instructions.



*Allow clearance around the back sink rim for clip attachment.



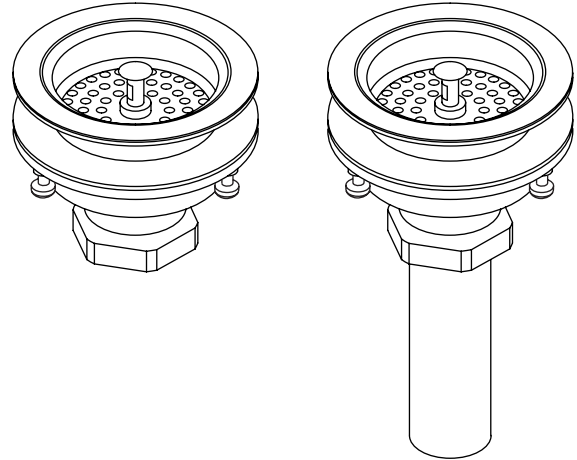
Product Diagram

DUOSTRAINER®

Features

- Brass construction
- For sink installations with 3-1/2" (8.9 cm) or 4" (10.2 cm) outlet
- Removable basket strainer with open/close stopper
- 1-1/2" connection

**SINK STRAINER
K-8801
ALSO K-8799**



Codes/Standards Applicable

Specified model meets or exceeds the following:

- ASME A112.18.1
- CSA B125
- IAPMO/UPC

Colors/Finishes

- CP: Polished Chrome
- PB: Polished Brass
- Other: Refer to Price Book for additional colors/finishes

Specified Model:

Model	Description	Colors/Finishes		
		<input type="checkbox"/> CP	<input type="checkbox"/> PB	<input type="checkbox"/> Other _____
K-8799	Sink strainer less tailpiece	<input type="checkbox"/> CP	<input type="checkbox"/> PB	
K-8801	Sink strainer with tailpiece	<input type="checkbox"/> CP	<input type="checkbox"/> PB	<input type="checkbox"/> Other _____

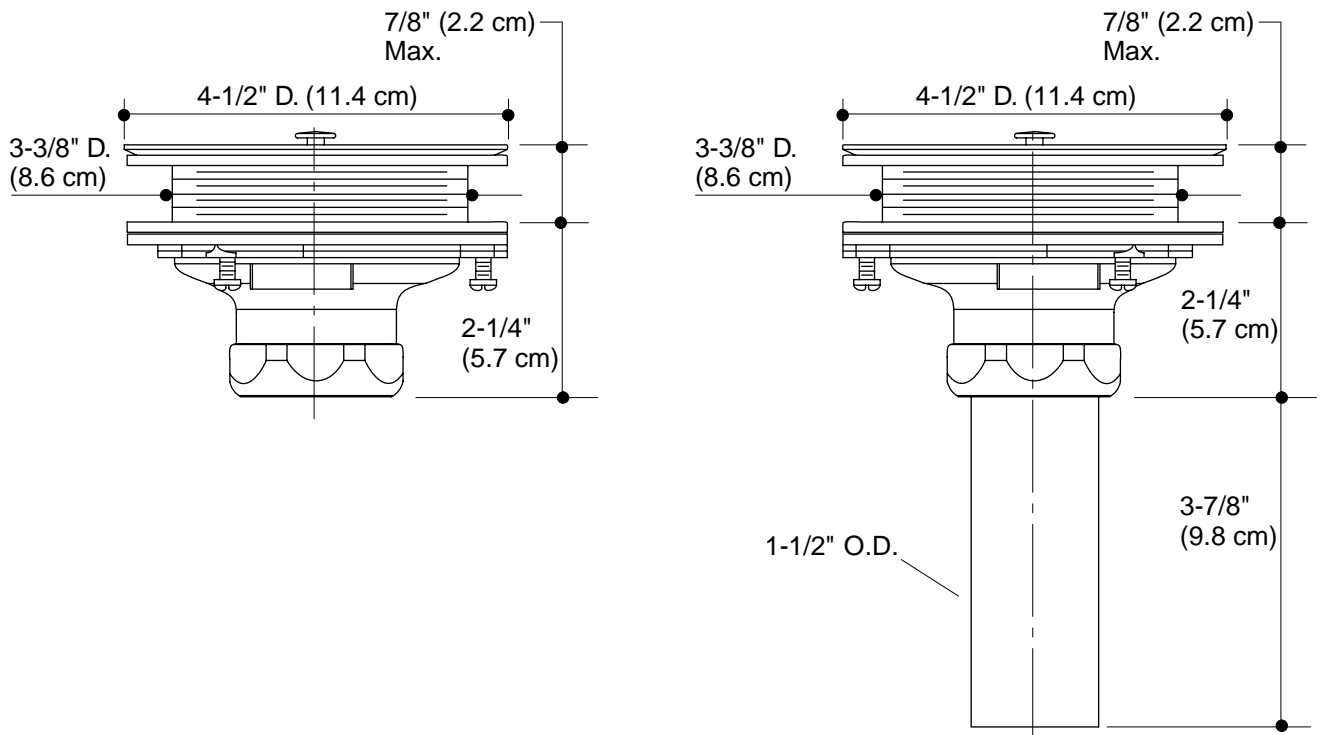
PRODUCT SPECIFICATION

Duostrainer sink strainer shall be of brass construction. Product shall feature removable basket strainer with an open/close stopper, and 1-1/2" connection. Product is intended for sink installations with 3-1/2" (8.9 cm) or 4" (10.2 cm) outlet. Optional feature shall be a brass tailpiece. Strainer shall be Kohler Model K-_____-_____.

DUOSTRAINER®

Installation Notes

Install this product in accordance with the installation instructions.



Product Diagram