

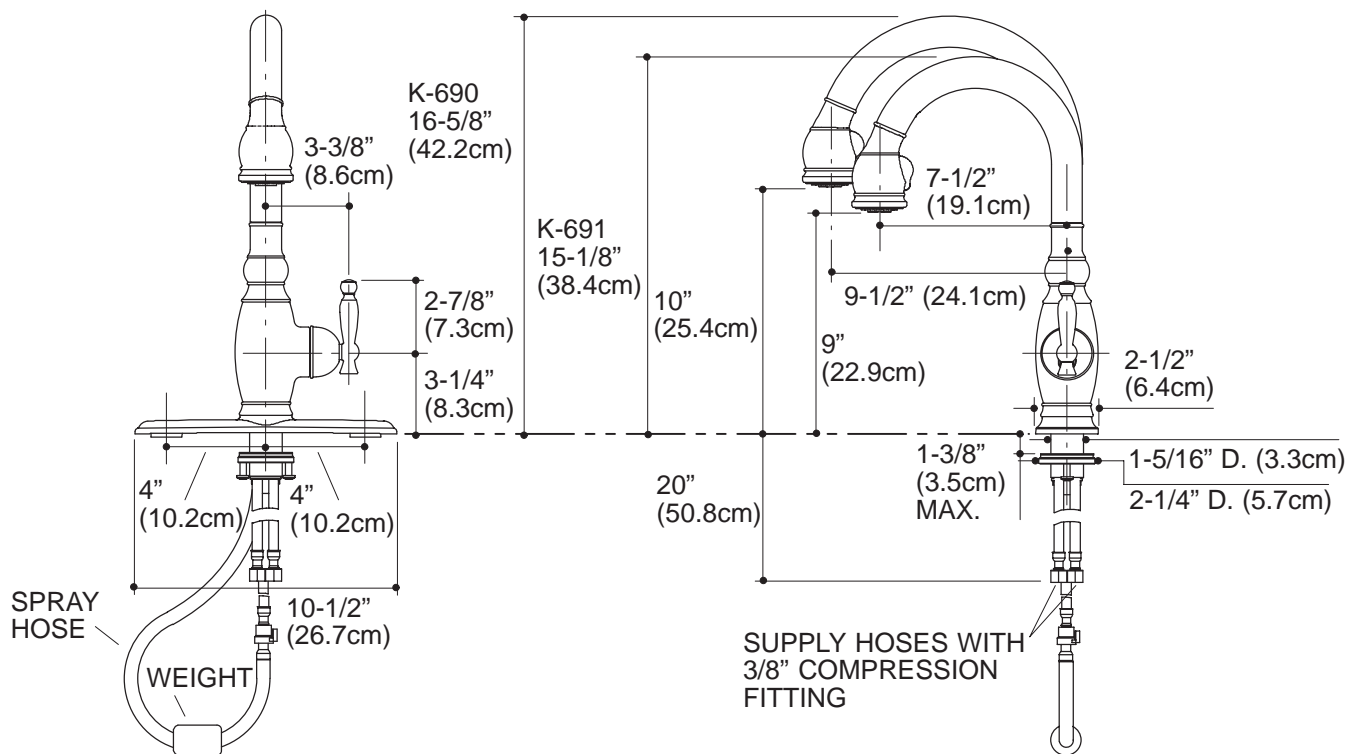
Product Information

Applicable faucet:	
Kitchen sink faucet	K-690
Secondary kitchen sink faucet	K-691
ADA Lever handle is ADA compliant	

Installation Notes

Install this product according to the installation guide.
Meets all local plumbing codes for vacuum breaker requirements.

All necessary parts included for both single-hole and three-hole installation.

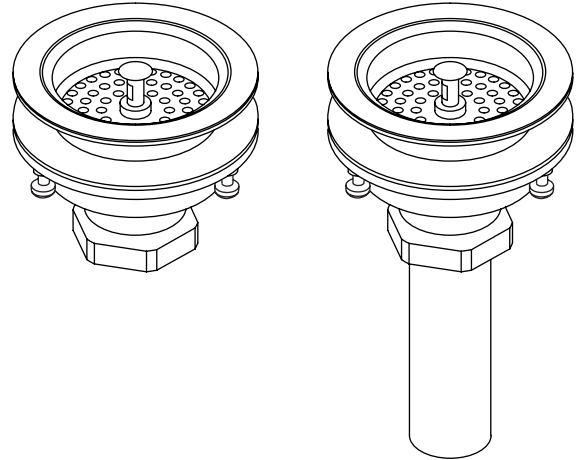


DUOSTRAINER®

Features

- Brass construction
- For sink installations with 3-1/2" (8.9 cm) or 4" (10.2 cm) outlet
- Removable basket strainer with open/close stopper
- 1-1/2" connection

**SINK STRAINER
K-8801
ALSO K-8799**



Codes/Standards Applicable

Specified model meets or exceeds the following:

- ASME A112.18.1
- CSA B125
- IAPMO/UPC

Colors/Finishes

- CP: Polished Chrome
- PB: Polished Brass
- Other: Refer to Price Book for additional colors/finishes

Specified Model:

Model	Description	Colors/Finishes		
		<input type="checkbox"/> CP	<input type="checkbox"/> PB	<input type="checkbox"/> Other _____
K-8799	Sink strainer less tailpiece	<input type="checkbox"/> CP	<input type="checkbox"/> PB	
K-8801	Sink strainer with tailpiece	<input type="checkbox"/> CP	<input type="checkbox"/> PB	<input type="checkbox"/> Other _____

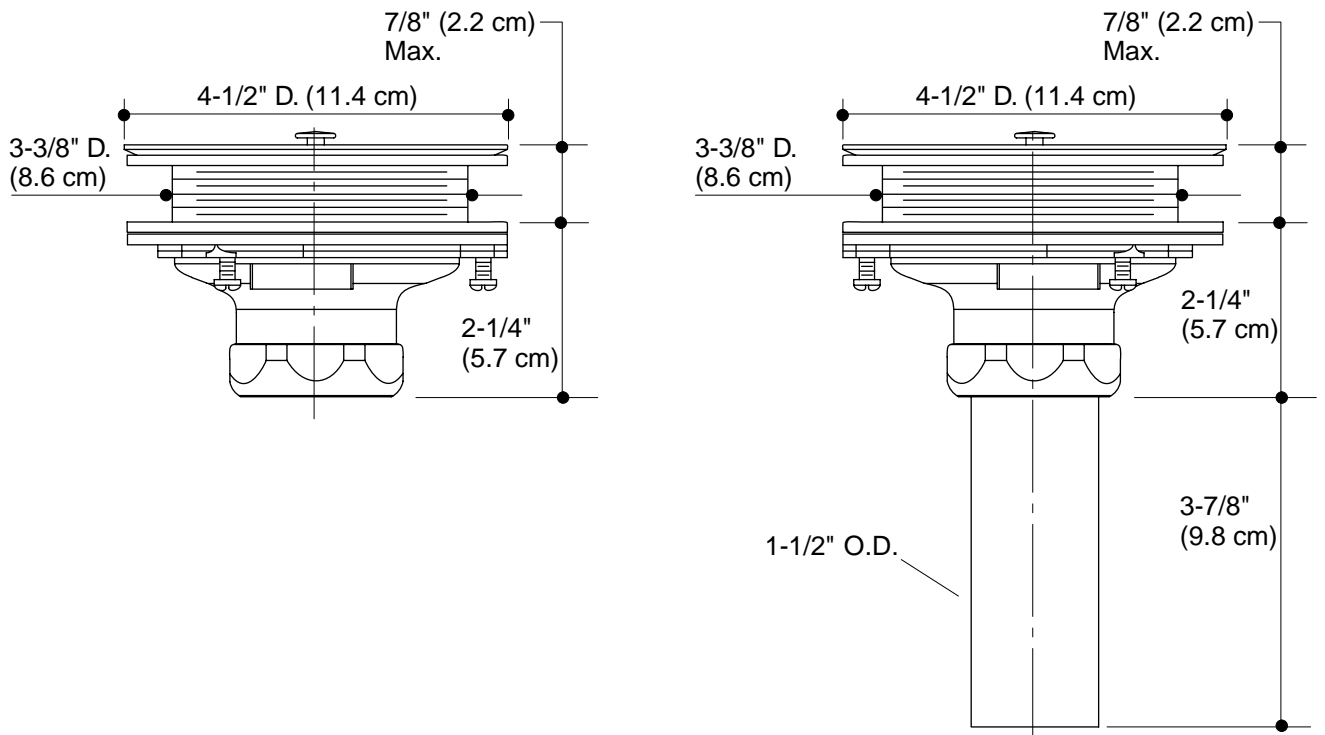
PRODUCT SPECIFICATION

Duostrainer sink strainer shall be of brass construction. Product shall feature removable basket strainer with an open/close stopper, and 1-1/2" connection. Product is intended for sink installations with 3-1/2" (8.9 cm) or 4" (10.2 cm) outlet. Optional feature shall be a brass tailpiece. Strainer shall be Kohler Model K-_____-_____.

DUOSTRAINER®

Installation Notes

Install this product in accordance with the installation instructions.



Product Diagram

TRANSITIONAL DESIGN

**SOAP/LOTION DISPENSER
K-1893**

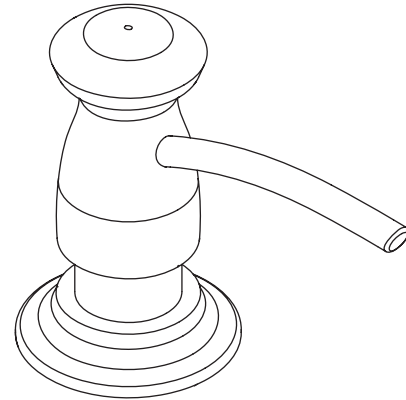
Features

- Brass construction
- Intended for kitchen sink and bathroom lavatory installations
- Refillable from the top side
- 16 fluid ounce (.5 L) capacity
- 3-5/16" (8.4 cm) high pump
- 3-3/8" (8.6 cm) long spout

Codes/Standards Applicable

Specified model meets or exceeds the following:

- None applicable



Colors/Finishes

- CP: Polished Chrome
- Other: Refer to Price Book for additional colors/finishes

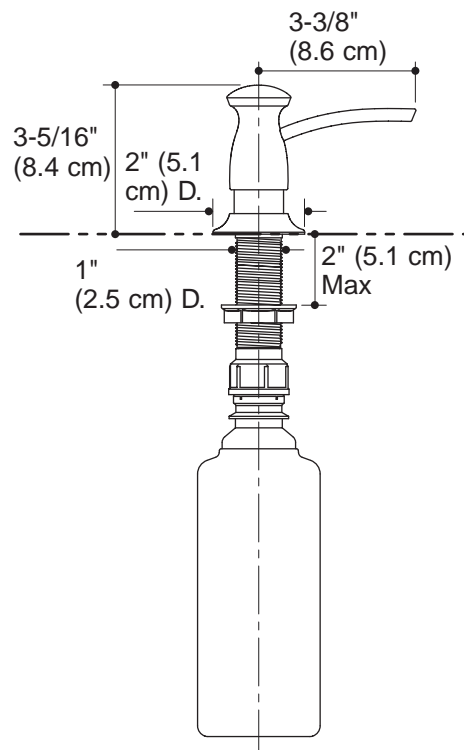
Specified Model:

Model	Description	Colors/Finishes
K-1893	Soap/lotion dispenser - transitional design	<input type="checkbox"/> CP <input type="checkbox"/> Other ____

PRODUCT SPECIFICATION

Transitional design soap/lotion dispenser shall be of brass construction. Product shall feature 3-5/16" (8.4 cm) high pump, 3-3/8" (8.6 cm) long spout, and is refillable from the top side. Product is intended for kitchen sink and bathroom lavatory installations and has a 16 fluid ounce (.5 L) capacity. Soap/lotion dispenser shall be Kohler Model K-1893-____.

TRANSITIONAL DESIGN



Product Diagram