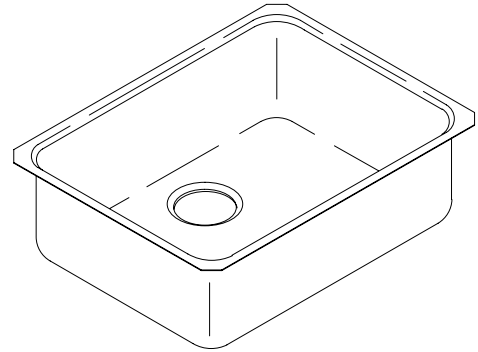


FEATURES

- 21-1/4" x 15-3/4"
- 18 gauge stainless steel
- Undercounter
- Single compartment
- Squared bowl
- Includes installation hardware



CODES/STANDARDS APPLICABLE

Specified model meets or exceeds the following:

- IAPMO/UPC

COLORS/FINISHES

- NA None Applicable

Accessories:

- CP Polished Chrome
- 0 White
- Other Refer to Price Book for additional colors
- NA None Applicable

SPECIFIED MODEL:

Model	Description	Colors/Finishes	
K-3332	Undercounter sink	<input type="checkbox"/> NA	
Optional Accessories			
K-3192	Bottom basin rack	<input type="checkbox"/> 0 White	<input type="checkbox"/> Other_____
K-3277	Wire rinse basket	<input type="checkbox"/> 0 White	<input type="checkbox"/> Other_____
K-3294	Hardwood cutting board	<input type="checkbox"/> NA	
K-8801	Duostrainer sink strainer	<input type="checkbox"/> CP	<input type="checkbox"/> Other_____
K-8813	Stainless steel sink strainer	<input type="checkbox"/> CP	
K-8814	Stainless steel sink strainer	<input type="checkbox"/> CP	

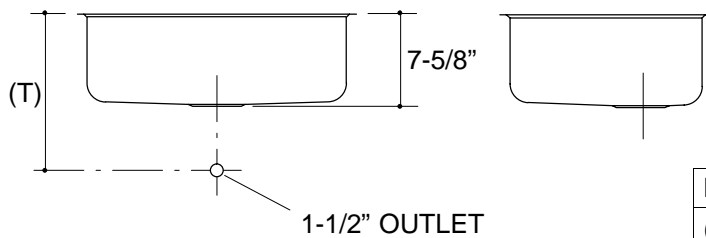
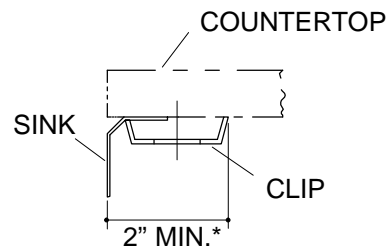
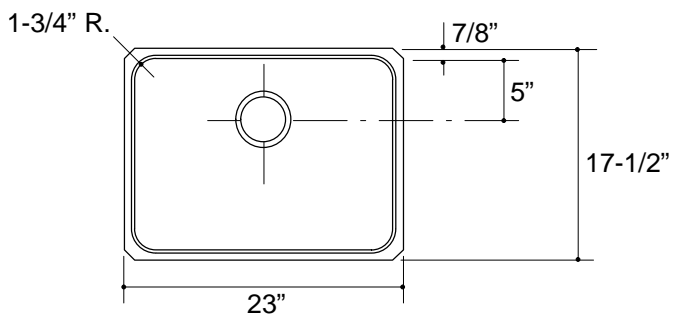
PRODUCT SPECIFICATION:

The undercounter sink shall be 21-1/4" in length, and 15-3/4" in width. Sink shall be made of 18 gauge stainless steel. Sink shall be single compartment with squared bowl. Sink shall include installation hardware. Sink shall be Kohler Model K-3332-_____.

UNDERTONE™

PRODUCT INFORMATION

Fixture*:		basin area	water depth
Sink		21" x 16"	7-1/2"
Outlet	3-5/8" D.		
Faucet holes	1-3/8" D.		
* Approximate measurements for comparison only.			
Included Components:			
Hardware kit		91915	
Cutout template		113193	



Roughing-In Notes

(T) Drain typically 13".

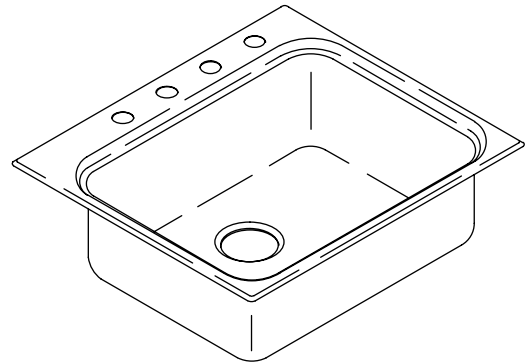
*Allow clearance around sink rim for clip attachment.

PRODUCT DIAGRAM

Features

- 18 gauge stainless steel
- Self-rimming
- Single compartment
- Includes installation hardware
- 4-hole (-4), 3-hole (-3), or single-hole (-1)
- 25" (63.5 cm) x 22" (55.9 cm)

SELF-RIMMING KITCHEN SINK K-3258



Codes/Standards Applicable

Specified model meets or exceeds the following:

- ASME A112.19.3
- IAPMO/UPC
- CSA B45

Colors/Finishes

- NA: None applicable

Accessories:

- CP: Polished Chrome
- 0: White
- NA: None applicable
- Other: Refer to Price Book for additional colors/finishes

Specified Model

Model	Description	Colors/Finishes
K-3258-4	4-hole sink	<input type="checkbox"/> NA
K-3258-3	3-hole sink	<input type="checkbox"/> NA
K-3258-1	Single-hole sink	<input type="checkbox"/> NA

Optional Accessories			
K-3192	Bottom basin rack	<input type="checkbox"/> 0 White	<input type="checkbox"/> Other_____
K-3277	Wire rinse basket	<input type="checkbox"/> 0 White	<input type="checkbox"/> Other_____
K-3294	Hardwood cutting board	<input type="checkbox"/> NA	
K-8801	Duostrainer® sink strainer	<input type="checkbox"/> CP	<input type="checkbox"/> Other_____

Product Specification

The self-rimming kitchen sink shall be 25" (63.5 cm) in length and 22" (55.9 cm) in width. Sink shall be made of 18 gauge stainless steel. Sink shall be single compartment. Sink shall be 4-hole (-4), 3-hole (-3), or single-hole (-1). Sink shall include installation hardware. Sink shall be Kohler Model K-3258-_____.

BALLAD

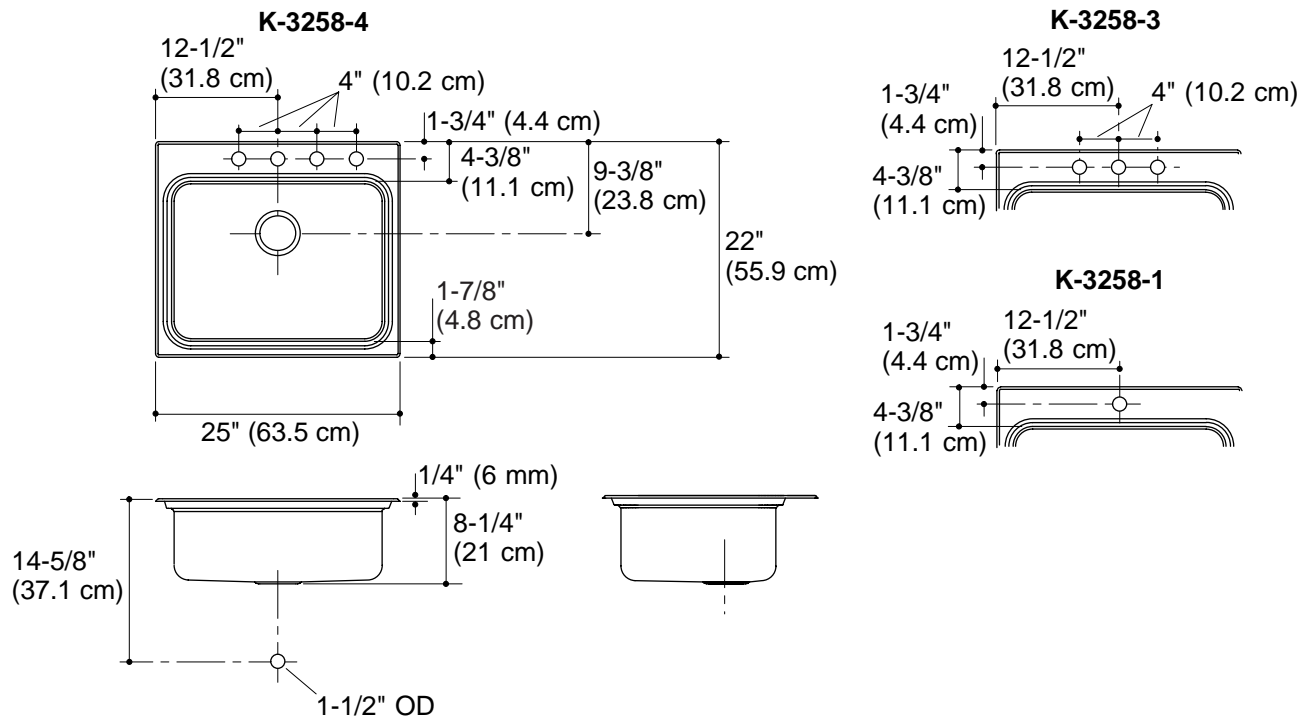
Technical Information

Fixture*:	
Basin area	21-1/4" (54 cm) x 15-3/4" (40 cm)
Water depth	8" (20.3 cm)
Drain hole	3-5/8" (9.2 cm) D.
Faucet holes	1-7/16" (3.7 cm) D.
*Approximate measurements for comparison only.	

Included components:	
Fastener pack	1023180

Installation Notes

Install this product according to the installation guide.
Cutout is 24-1/2" (62.2 cm) x 21-1/2" (54.6 cm) with 1/2" (1.3 cm) radius corners.

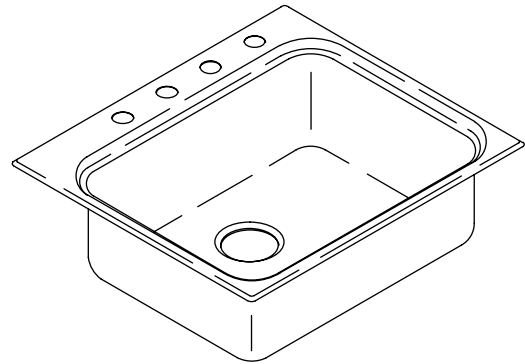


Product Diagram

Features

- 18 gauge stainless steel
- Self-rimming
- Single compartment
- Includes installation hardware
- 4-hole (-4), 3-hole (-3), or single-hole (-1)
- 25" (63.5 cm) x 22" (55.9 cm)

SELF-RIMMING KITCHEN SINK K-3258



Codes/Standards Applicable

Specified model meets or exceeds the following:

- ASME A112.19.3
- IAPMO/UPC
- CSA B45

Colors/Finishes

- NA: None applicable

Accessories:

- CP: Polished Chrome
- 0: White
- NA: None applicable
- Other: Refer to Price Book for additional colors/finishes

Specified Model

Model	Description	Colors/Finishes
K-3258-4	4-hole sink	<input type="checkbox"/> NA
K-3258-3	3-hole sink	<input type="checkbox"/> NA
K-3258-1	Single-hole sink	<input type="checkbox"/> NA

Optional Accessories			
K-3192	Bottom basin rack	<input type="checkbox"/> 0 White	<input type="checkbox"/> Other_____
K-3277	Wire rinse basket	<input type="checkbox"/> 0 White	<input type="checkbox"/> Other_____
K-3294	Hardwood cutting board	<input type="checkbox"/> NA	
K-8801	Duostrainer® sink strainer	<input type="checkbox"/> CP	<input type="checkbox"/> Other_____

Product Specification

The self-rimming kitchen sink shall be 25" (63.5 cm) in length and 22" (55.9 cm) in width. Sink shall be made of 18 gauge stainless steel. Sink shall be single compartment. Sink shall be 4-hole (-4), 3-hole (-3), or single-hole (-1). Sink shall include installation hardware. Sink shall be Kohler Model K-3258-_____.

BALLAD

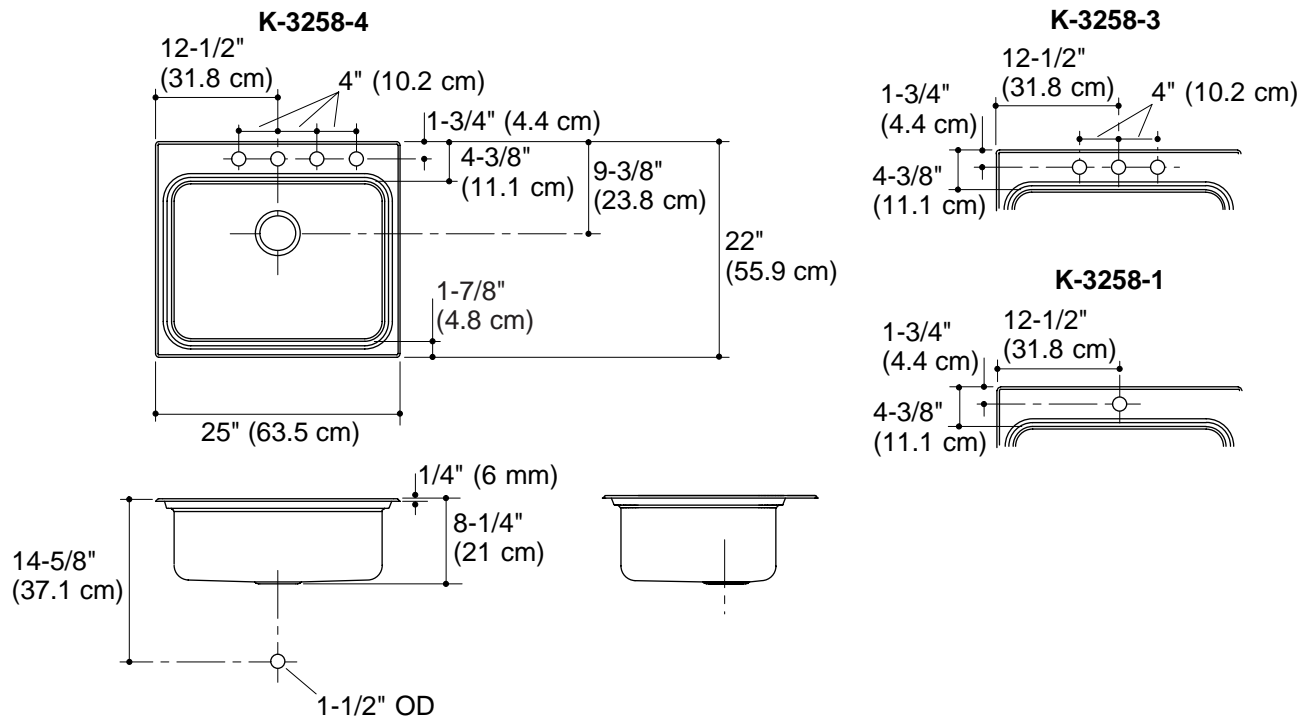
Technical Information

Fixture*:	
Basin area	21-1/4" (54 cm) x 15-3/4" (40 cm)
Water depth	8" (20.3 cm)
Drain hole	3-5/8" (9.2 cm) D.
Faucet holes	1-7/16" (3.7 cm) D.
*Approximate measurements for comparison only.	

Included components:	
Fastener pack	1023180

Installation Notes

Install this product according to the installation guide.
Cutout is 24-1/2" (62.2 cm) x 21-1/2" (54.6 cm) with 1/2" (1.3 cm) radius corners.



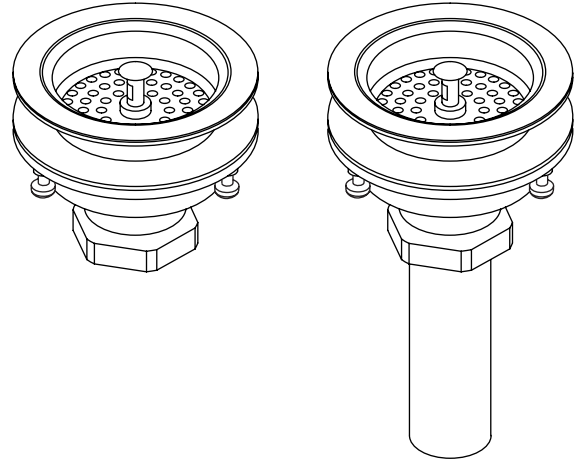
Product Diagram

DUOSTRAINER®

Features

- Brass construction
- For sink installations with 3-1/2" (8.9 cm) or 4" (10.2 cm) outlet
- Removable basket strainer with open/close stopper
- 1-1/2" connection

**SINK STRAINER
K-8801
ALSO K-8799**



Codes/Standards Applicable

Specified model meets or exceeds the following:

- ASME A112.18.1
- CSA B125
- IAPMO/UPC

Colors/Finishes

- CP: Polished Chrome
- PB: Polished Brass
- Other: Refer to Price Book for additional colors/finishes

Specified Model:

Model	Description	Colors/Finishes		
		<input type="checkbox"/> CP	<input type="checkbox"/> PB	<input type="checkbox"/> Other _____
K-8799	Sink strainer less tailpiece	<input type="checkbox"/> CP	<input type="checkbox"/> PB	
K-8801	Sink strainer with tailpiece	<input type="checkbox"/> CP	<input type="checkbox"/> PB	<input type="checkbox"/> Other _____

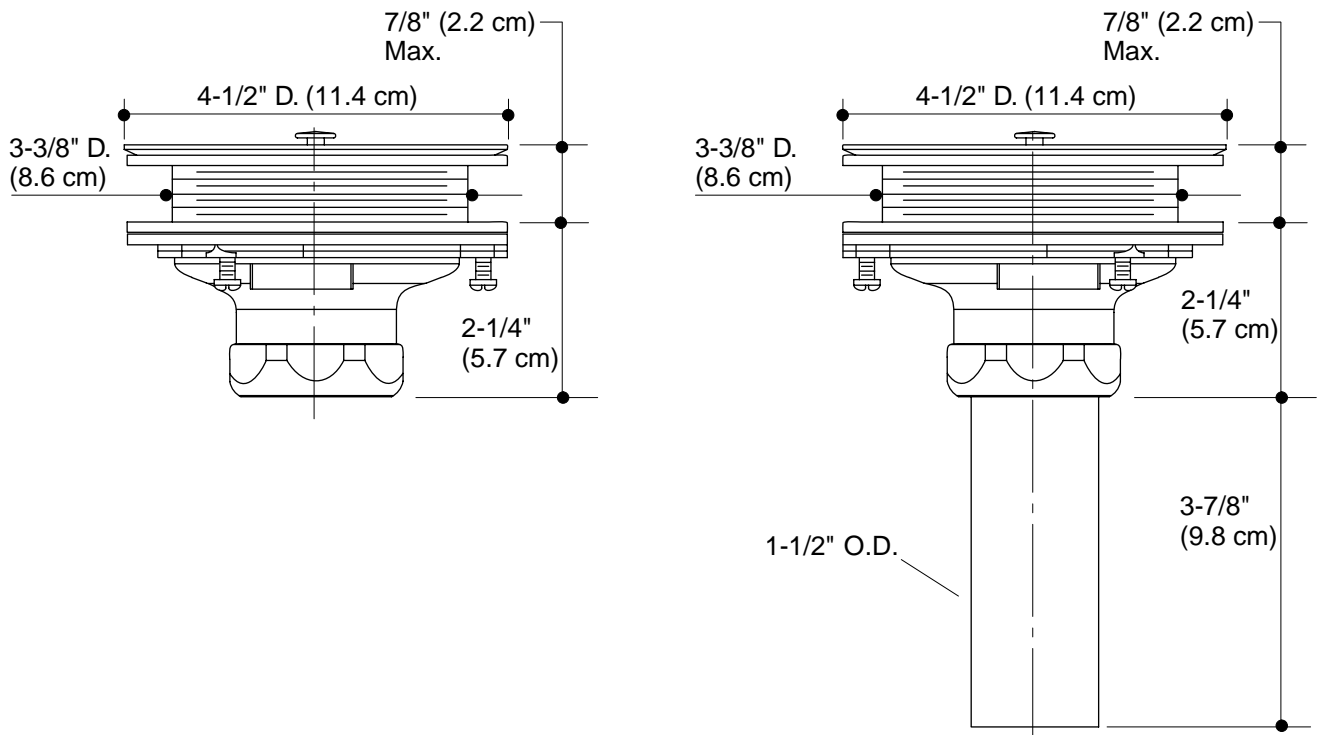
PRODUCT SPECIFICATION

Duostrainer sink strainer shall be of brass construction. Product shall feature removable basket strainer with an open/close stopper, and 1-1/2" connection. Product is intended for sink installations with 3-1/2" (8.9 cm) or 4" (10.2 cm) outlet. Optional feature shall be a brass tailpiece. Strainer shall be Kohler Model K-_____-_____.

DUOSTRAINER®

Installation Notes

Install this product in accordance with the installation instructions.



Product Diagram