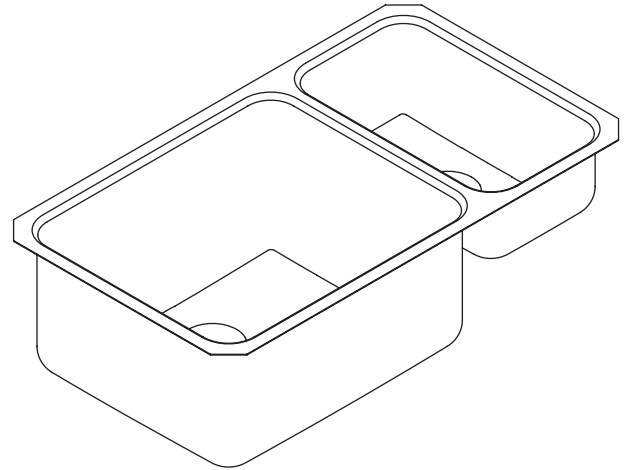


### Features

- 18 gauge stainless steel
- Undercounter
- Includes installation hardware
- Double (high/low) compartment
- Squared bowl(s)
- 29-1/4" (74.3 cm) x 15-3/4" (40 cm)
- 9-1/2" (24.1 cm) deep left basin and 5-1/2" (14 cm) deep right basin (K-3174)
- 5-1/2" (14 cm) deep left basin and 9-1/2" (24.1 cm) deep right basin (K-3174-L)

### UNDERCOUNTER SINK K-3174 ALSO K-3174-L



### Codes/Standards Applicable

Specified model meets or exceeds the following:

- IAPMO/UPC
- ASME A112.19.3

### Colors/Finishes

- NA: None applicable

#### Accessories:

- CP: Polished Chrome
- 0: White
- Other: Refer to Price Book for additional colors/finishes
- NA: None applicable

### Specified Model

| Model    | Description                                                                                 | Colors/Finishes             |
|----------|---------------------------------------------------------------------------------------------|-----------------------------|
| K-3174   | Undercounter sink with 9-1/2" (24.1 cm) deep left basin and 5-1/2" (14 cm) deep right basin | <input type="checkbox"/> NA |
| K-3174-L | Undercounter sink with 5-1/2" (14 cm) deep left basin and 9-1/2" (24.1 cm) deep right basin | <input type="checkbox"/> NA |

| Optional Accessories |                                          |                                  |                                     |
|----------------------|------------------------------------------|----------------------------------|-------------------------------------|
| K-3277               | Wire basket (for large basin)            | <input type="checkbox"/> 0 White | <input type="checkbox"/> Other_____ |
| K-3294               | Hardwood cutting board (for large basin) | <input type="checkbox"/> NA      |                                     |
| K-8801               | Duostrainer® sink strainer               | <input type="checkbox"/> CP      | <input type="checkbox"/> Other_____ |

### Product Specification:

The undercounter sink shall be 29-1/4" (74.2 cm) in length and 15-3/4" (40 cm) in width. Sink shall be made of 18 gauge stainless steel. Sink shall be double (high/low) compartment with squared bowls. Kohler Model K-3174 sink shall have 9-1/2" (24.1 cm) deep left basin and 5-1/2" (14 cm) deep right basin. Kohler Model K-3174-L sink shall have 5-1/2" (14 cm) deep left basin and 9-1/2" (24.1 cm) deep right basin. Sink shall include installation hardware. Sink shall be Kohler Model K-3174-\_\_\_\_\_.

# UNDERTONE™

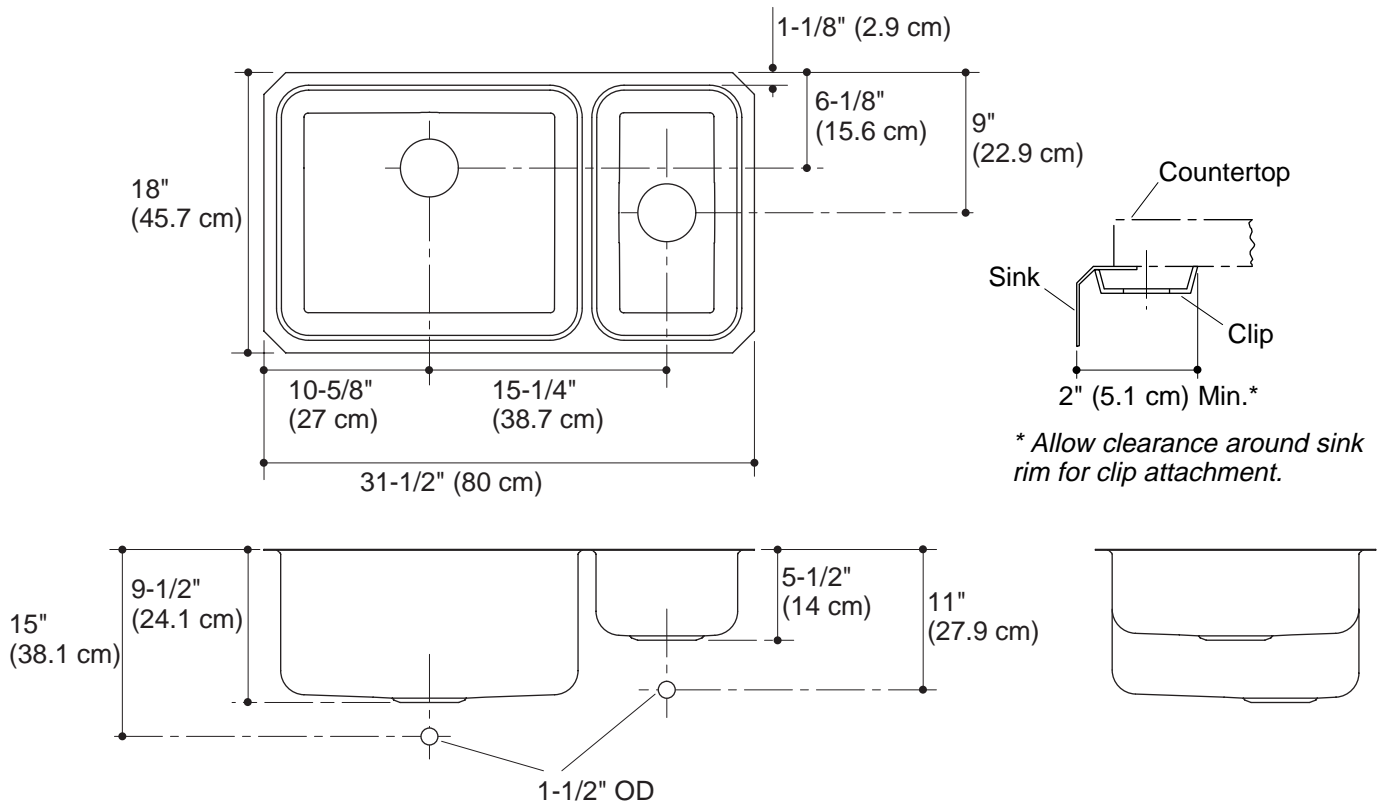
## Technical Information

|                                                                                |                                  |                     |
|--------------------------------------------------------------------------------|----------------------------------|---------------------|
| <b>Dimensions shown for K-3174; sink dimensions are opposite for K-3174-L.</b> |                                  |                     |
| Fixture:*                                                                      | basin area                       | water depth         |
| Sink, left                                                                     | 19" (48.3 cm) x<br>16" (40.6 cm) | 9-1/2"<br>(24.1 cm) |
| Sink, right                                                                    | 9" (22.9 cm) x<br>16" (40.6 cm)  | 5-1/2"<br>(14 cm)   |
| Drain Holes                                                                    | 3-5/8" (9.2 cm) D.               |                     |
| * Approximate measurements for comparison only.                                |                                  |                     |

|                           |           |
|---------------------------|-----------|
| Included Components:      |           |
| Hardware kit (4 required) | 91915     |
| Cutout template           | 1040556-7 |

## Installation Notes

Install this product according to the installation guide.

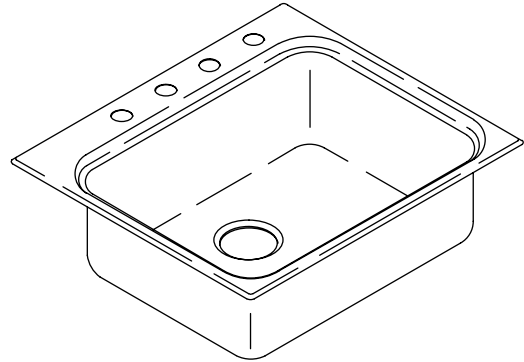


## Product Diagram

### Features

- 18 gauge stainless steel
- Self-rimming
- Single compartment
- Includes installation hardware
- 4-hole (-4), 3-hole (-3), or single-hole (-1)
- 25" (63.5 cm) x 22" (55.9 cm)

### SELF-RIMMING KITCHEN SINK K-3258



### Codes/Standards Applicable

Specified model meets or exceeds the following:

- ASME A112.19.3
- IAPMO/UPC
- CSA B45

### Colors/Finishes

- NA: None applicable

#### Accessories:

- CP: Polished Chrome
- 0: White
- NA: None applicable
- Other: Refer to Price Book for additional colors/finishes

### Specified Model

| Model    | Description      | Colors/Finishes             |
|----------|------------------|-----------------------------|
| K-3258-4 | 4-hole sink      | <input type="checkbox"/> NA |
| K-3258-3 | 3-hole sink      | <input type="checkbox"/> NA |
| K-3258-1 | Single-hole sink | <input type="checkbox"/> NA |

| Optional Accessories |                            |                                  |                                     |
|----------------------|----------------------------|----------------------------------|-------------------------------------|
| K-3192               | Bottom basin rack          | <input type="checkbox"/> 0 White | <input type="checkbox"/> Other_____ |
| K-3277               | Wire rinse basket          | <input type="checkbox"/> 0 White | <input type="checkbox"/> Other_____ |
| K-3294               | Hardwood cutting board     | <input type="checkbox"/> NA      |                                     |
| K-8801               | Duostrainer® sink strainer | <input type="checkbox"/> CP      | <input type="checkbox"/> Other_____ |

### Product Specification

The self-rimming kitchen sink shall be 25" (63.5 cm) in length and 22" (55.9 cm) in width. Sink shall be made of 18 gauge stainless steel. Sink shall be single compartment. Sink shall be 4-hole (-4), 3-hole (-3), or single-hole (-1). Sink shall include installation hardware. Sink shall be Kohler Model K-3258-\_\_\_\_\_.

# BALLAD

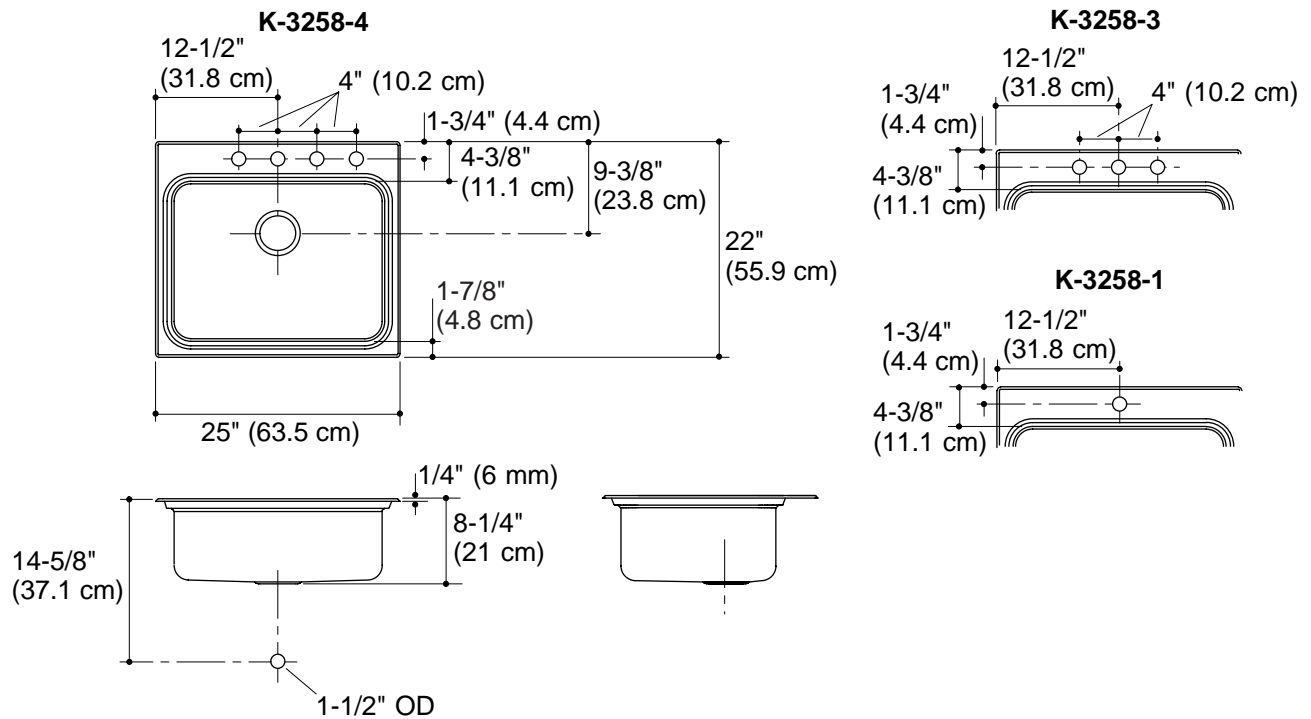
## Technical Information

|                                                |                                   |
|------------------------------------------------|-----------------------------------|
| Fixture*:                                      |                                   |
| Basin area                                     | 21-1/4" (54 cm) x 15-3/4" (40 cm) |
| Water depth                                    | 8" (20.3 cm)                      |
| Drain hole                                     | 3-5/8" (9.2 cm) D.                |
| Faucet holes                                   | 1-7/16" (3.7 cm) D.               |
| *Approximate measurements for comparison only. |                                   |

|                      |         |
|----------------------|---------|
| Included components: |         |
| Fastener pack        | 1023180 |

## Installation Notes

Install this product according to the installation guide.  
Cutout is 24-1/2" (62.2 cm) x 21-1/2" (54.6 cm) with 1/2" (1.3 cm) radius corners.



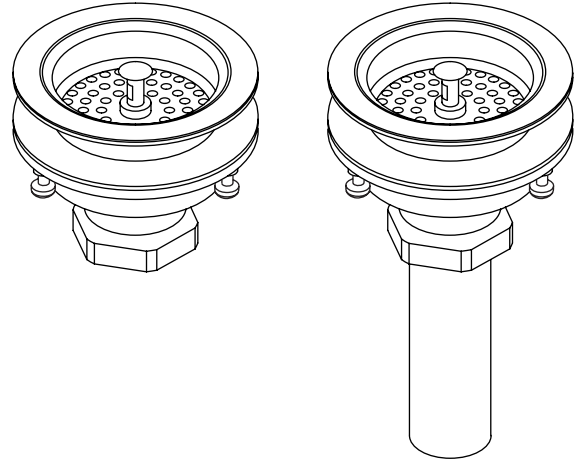
## Product Diagram

**DUOSTRAINER®**

**Features**

- Brass construction
- For sink installations with 3-1/2" (8.9 cm) or 4" (10.2 cm) outlet
- Removable basket strainer with open/close stopper
- 1-1/2" connection

**SINK STRAINER  
K-8801  
ALSO K-8799**



**Codes/Standards Applicable**

Specified model meets or exceeds the following:

- ASME A112.18.1
- CSA B125
- IAPMO/UPC

**Colors/Finishes**

- CP: Polished Chrome
- PB: Polished Brass
- Other: Refer to Price Book for additional colors/finishes

**Specified Model:**

| Model  | Description                  | Colors/Finishes             |                             |                                      |
|--------|------------------------------|-----------------------------|-----------------------------|--------------------------------------|
|        |                              | <input type="checkbox"/> CP | <input type="checkbox"/> PB | <input type="checkbox"/> Other _____ |
| K-8799 | Sink strainer less tailpiece | <input type="checkbox"/> CP | <input type="checkbox"/> PB |                                      |
| K-8801 | Sink strainer with tailpiece | <input type="checkbox"/> CP | <input type="checkbox"/> PB | <input type="checkbox"/> Other _____ |

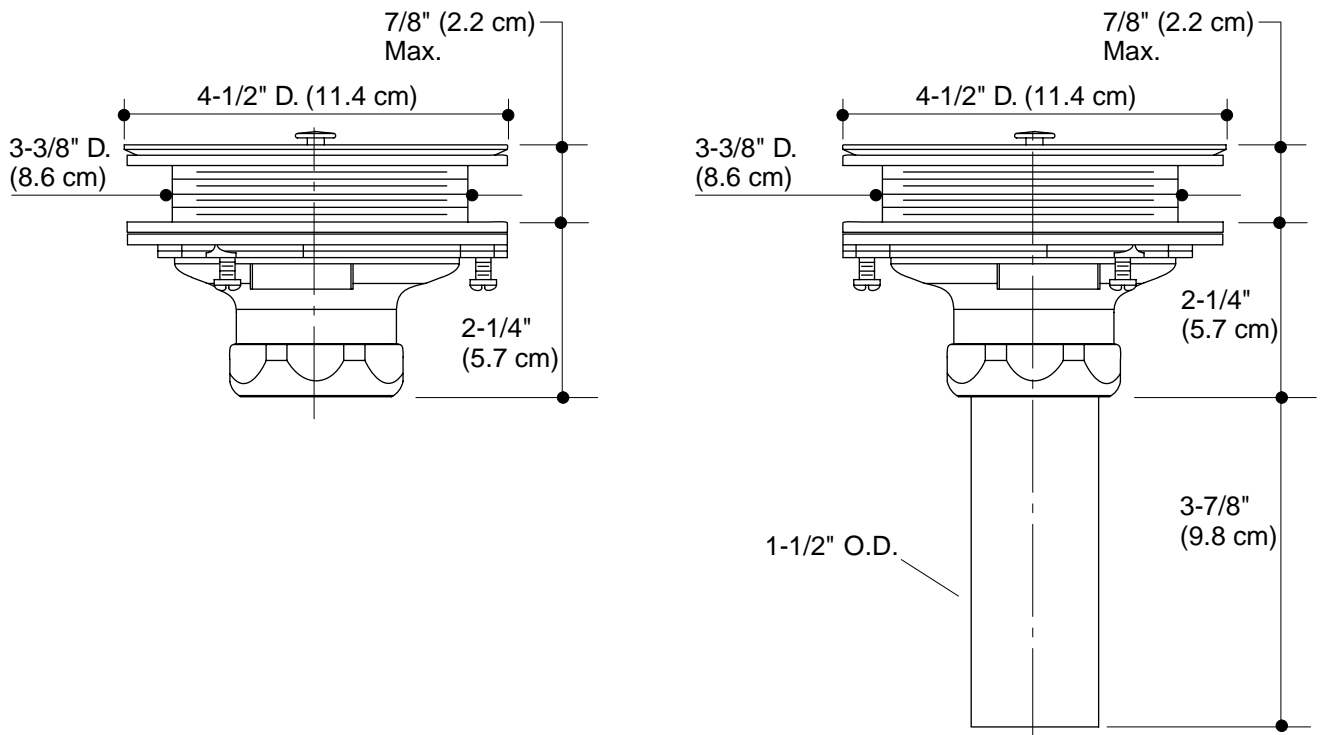
**PRODUCT SPECIFICATION**

Duostrainer sink strainer shall be of brass construction. Product shall feature removable basket strainer with an open/close stopper, and 1-1/2" connection. Product is intended for sink installations with 3-1/2" (8.9 cm) or 4" (10.2 cm) outlet. Optional feature shall be a brass tailpiece. Strainer shall be Kohler Model K-\_\_\_\_\_-\_\_\_\_\_.

# DUOSTRAINER®

## Installation Notes

Install this product in accordance with the installation instructions.



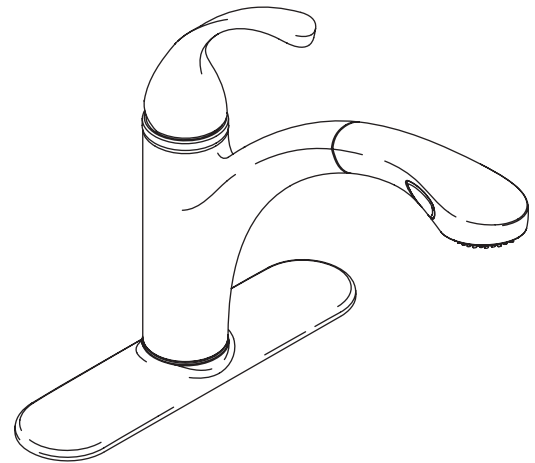
## Product Diagram

**PULLOUT SPRAY KITCHEN SINK  
FAUCET  
K-10433**

ADA

**Features**

- Metal construction
- One-piece, self-contained ceramic disc valve allows both volume and temperature control
- Temperature memory allows faucet to be turned on and off at any temperature setting
- High-temperature limit stop for added safety
- 2.2 gpm (8.3 lpm) flow rate
- Lower flow aerator options are available (refer to the Kohler Price Book)
- Swing spout with integral pullout spray and hose
- Touch control for stream-to-spray water flow
- Integral backflow protection
- Lever handle
- 10-1/2" (26.7 cm) escutcheon plate for three-hole installation
- 2" (5.1 cm) diameter escutcheon for single-hole installation



**Codes/Standards Applicable**

Specified model meets or exceeds the following:

- ASME A112.18.1/CSA B125.1
- IAPMO/UPC
- Energy Policy Act of 1992 (EPACT)
- NSF 61
- ADA

**Colors/Finishes**

- CP: Polished Chrome
- Other: Refer to Price Book for additional colors/finishes

**Specified Model:**

| Model                | Description                                                                                                                                                   | Colors/Finishes              |                                     |
|----------------------|---------------------------------------------------------------------------------------------------------------------------------------------------------------|------------------------------|-------------------------------------|
| K-10433              | Kitchen faucet with pullout spray                                                                                                                             | <input type="checkbox"/> CP  | <input type="checkbox"/> Other ____ |
| Optional Accessories |                                                                                                                                                               |                              |                                     |
| 1012715              | Deep rough-in kit<br><i>Requires 1-7/16" (3.7 cm) to 1-1/2" (3.8 cm) diameter hole to accommodate 1-1/2" (3.8 cm) to 3-3/8" (8.6 cm) thick installations.</i> | <input type="checkbox"/> N/A |                                     |

**Product Specification**

Single-control pullout spray kitchen sink faucet shall be of metal construction. Valve shall be a one-piece, self-contained ceramic disc valve and allows both volume and temperature control. Valve shall feature temperature memory, allowing the faucet to be turned on and off at any temperature setting. Valve shall include a high-temperature limit stop. Faucet shall be rated at 2.2 gallons (8.3 L) per minute. Faucet shall have lower flow aerator options. Faucet shall also feature stream-to-spray touch control. Faucet shall include swing spout with integral pullout sprayhead and hose, lever handle, integral backflow protection, 10-1/2" (26.7 cm) escutcheon plate for three hole installation, and 2" (5.1 cm) diameter escutcheon for single hole installation. Faucet shall be Kohler Model K-10433-\_\_\_\_\_.

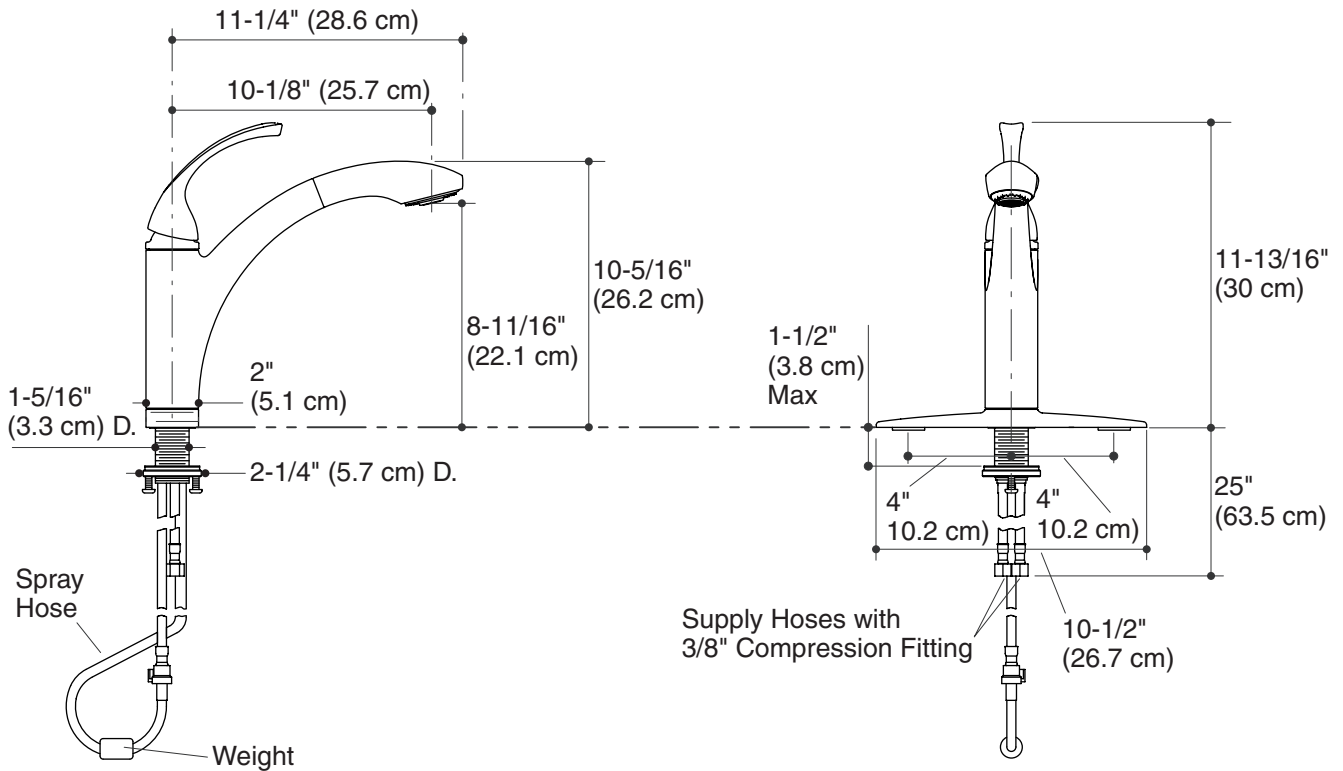
# FORTÉ®

## Technical Information

|                                       |            |
|---------------------------------------|------------|
| Applicable faucet:                    |            |
| Kitchen faucet with pullout spray     | K-10433    |
| Lever handle is <b>ADA</b> compliant. | <b>ADA</b> |

## Installation Notes

Install this product according to the installation guide.



## Product Diagram