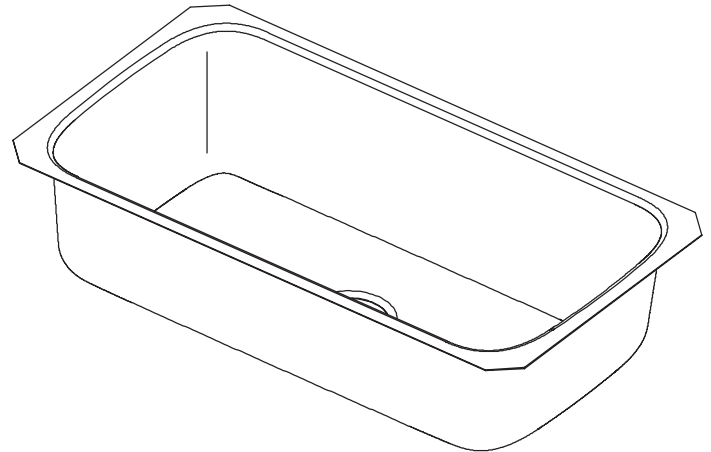


#### FEATURES

- 29-1/2" (74.9cm) x 15-3/4" (40cm)
- 18 gauge stainless steel
- Undercounter
- Single compartment
- Includes installation hardware
- 7-5/8" (19.4cm)



#### CODES/STANDARDS APPLICABLE

Specified model meets or exceeds the following:

- IAPMO/UPC
- Canadian Standards Association (CSA)

#### COLORS/FINISHES

- NA None Applicable

#### Accessories:

- CP Polished Chrome
- ST Stainless Steel
- NA None Applicable
- Other Refer to Price Book for additional colors

#### SPECIFIED MODEL:

Model	Description	Colors/Finishes
K-3183	Undercounter sink	<input type="checkbox"/> NA
<b>Optional Accessories</b>		
K-3119	Hardwood cutting board	<input type="checkbox"/> NA
K-3133	Stainless steel bottom basin rack	<input type="checkbox"/> ST
K-3135	Stainless steel colander	<input type="checkbox"/> ST
K-8801	Duostrainer® sink strainer	<input type="checkbox"/> CP <input type="checkbox"/> Other_____
K-8813	Stainless steel sink strainer	<input type="checkbox"/> CP
K-8814	Stainless steel sink strainer	<input type="checkbox"/> CP

#### PRODUCT SPECIFICATION:

The undercounter sink shall be 29-1/2" (74.9cm) in length, and 15-3/4" (40cm) in width. Sink shall be made of 18 gauge stainless steel. Sink shall be a single compartment. Sink shall include installation hardware. Sink shall be Kohler Model K-3183-\_\_\_\_\_.

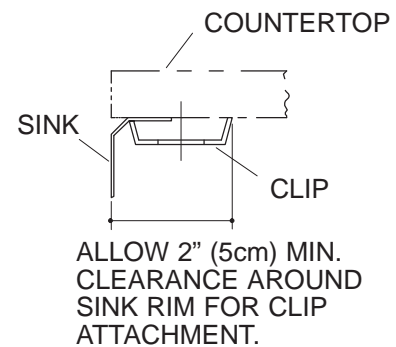
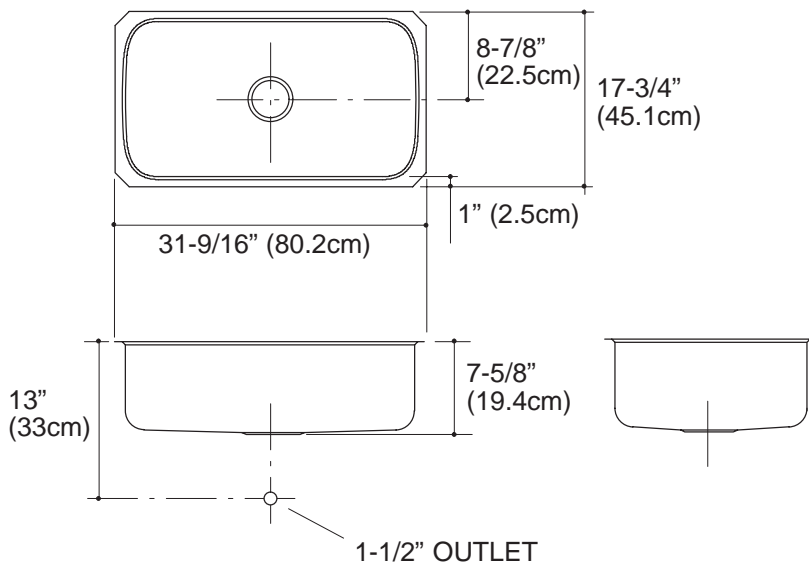
# UNDERTONE™

## PRODUCT INFORMATION

Fixture*:		basin area	water depth
Sink		29-1/2" (74.9cm) x 15-3/4" (40cm)	7-5/8" (19.4cm)
Outlet	3-5/8" D. (9.2cm)		

\* Approximate measurements for comparison only.

Included Components:	
Hardware kit	91915
Cutout template	1016732-7



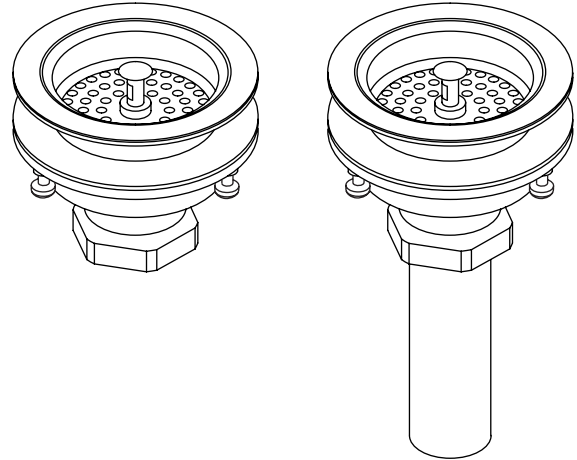
## PRODUCT DIAGRAM

**DUOSTRAINER®**

**Features**

- Brass construction
- For sink installations with 3-1/2" (8.9 cm) or 4" (10.2 cm) outlet
- Removable basket strainer with open/close stopper
- 1-1/2" connection

**SINK STRAINER  
K-8801  
ALSO K-8799**



**Codes/Standards Applicable**

Specified model meets or exceeds the following:

- ASME A112.18.1
- CSA B125
- IAPMO/UPC

**Colors/Finishes**

- CP: Polished Chrome
- PB: Polished Brass
- Other: Refer to Price Book for additional colors/finishes

**Specified Model:**

Model	Description	Colors/Finishes		
		<input type="checkbox"/> CP	<input type="checkbox"/> PB	<input type="checkbox"/> Other _____
K-8799	Sink strainer less tailpiece	<input type="checkbox"/> CP	<input type="checkbox"/> PB	
K-8801	Sink strainer with tailpiece	<input type="checkbox"/> CP	<input type="checkbox"/> PB	<input type="checkbox"/> Other _____

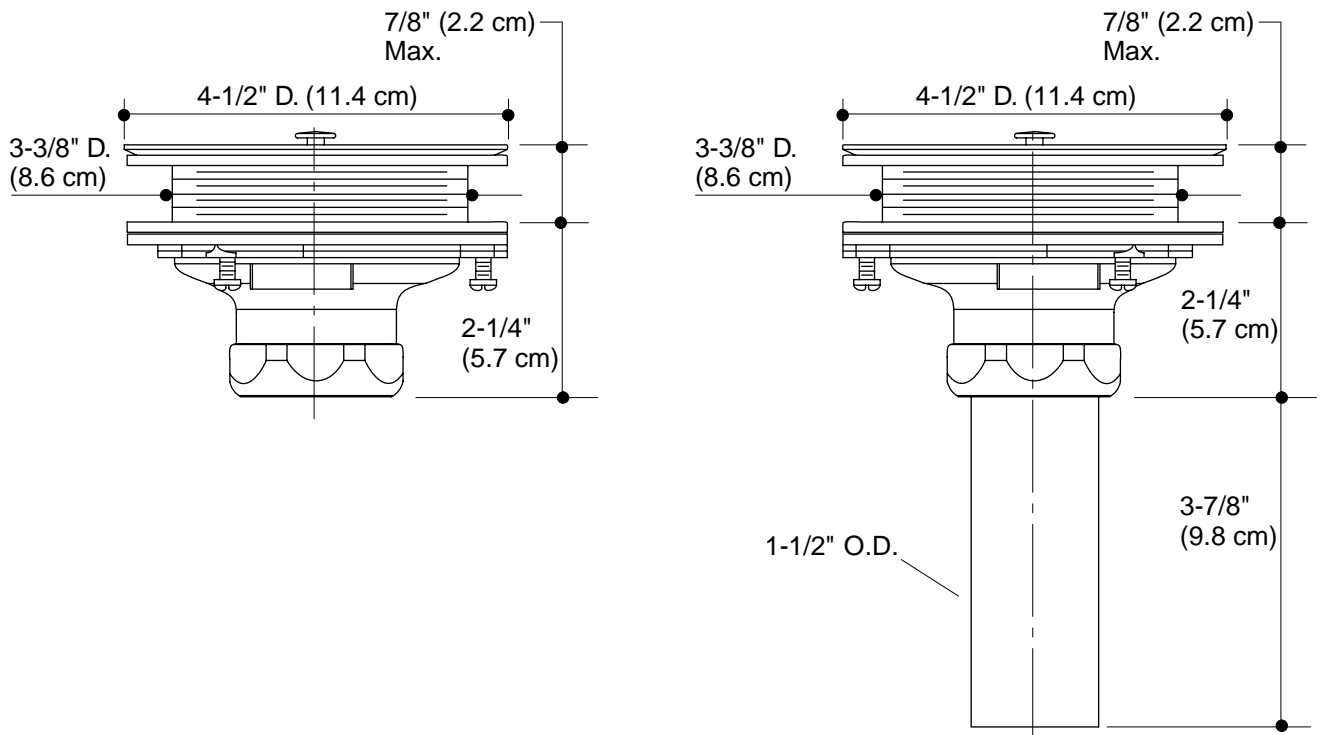
**PRODUCT SPECIFICATION**

Duostrainer sink strainer shall be of brass construction. Product shall feature removable basket strainer with an open/close stopper, and 1-1/2" connection. Product is intended for sink installations with 3-1/2" (8.9 cm) or 4" (10.2 cm) outlet. Optional feature shall be a brass tailpiece. Strainer shall be Kohler Model K-\_\_\_\_\_-\_\_\_\_\_.

# DUOSTRAINER®

## Installation Notes

Install this product in accordance with the installation instructions.



## Product Diagram