

Features

- Metal construction
- Includes installation hardware

Codes/Standards Applicable

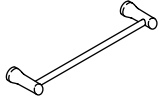
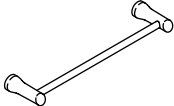
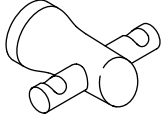

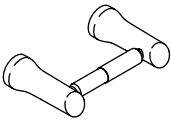
Specified model meets or exceeds the following:

- None applicable

Colors/Finishes

- CP: Polished Chrome
- Other: Refer to Price Book for additional colors/finishes

Specified Model

Model/Description	
K-5666 18" (45.7 cm) towel bar <input type="checkbox"/> CP <input type="checkbox"/> Other_____	
K-5667 24" (61 cm) towel bar <input type="checkbox"/> CP <input type="checkbox"/> Other_____	
K-5670 Robe hook <input type="checkbox"/> CP <input type="checkbox"/> Other_____	
K-5671 Towel ring <input type="checkbox"/> CP <input type="checkbox"/> Other_____	
K-5672 Tissue holder <input type="checkbox"/> CP <input type="checkbox"/> Other_____	

Product Specification

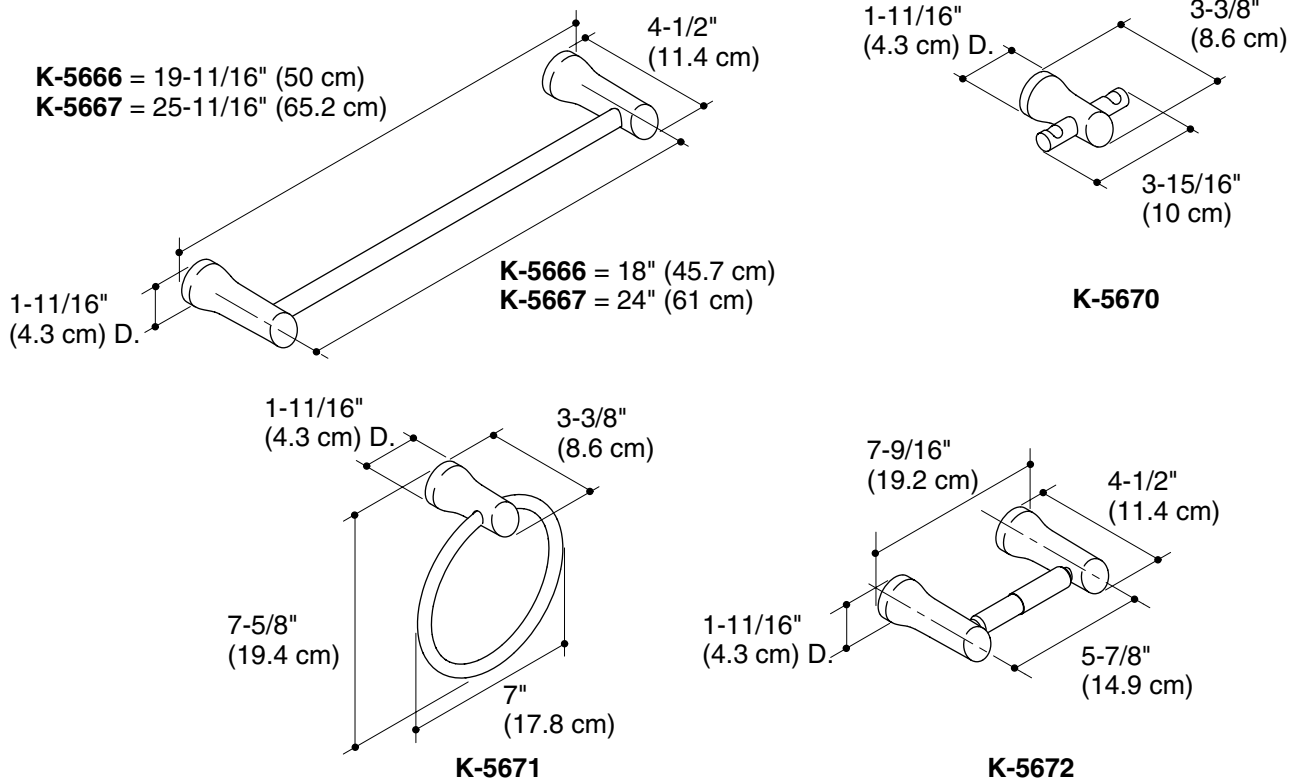
The accessories shall be made of metal construction. Product shall include installation hardware. Accessories shall be Kohler Model K-_____-____.

Installation Notes

Install this product according to the installation guide.



CAUTION: Risk of personal injury. Do not install these products in any area where they are likely to be used inadvertently as a grab bar or support bar. These products are not designed or intended for use as a grab bar or support bar.



Product Diagram