

Features

- Deck-mount.
- Lever handle style option.

Material

- Brass construction.

Required Accessories

K-300-K High Flow Bath Valve

or

K-301-K ¾" High-Flow Bath Valve



ADA

CSA B651

OBC

Codes/Standards

ASME A112.18.1/CSA B125.1

ADA

ICC/ANSI A117.1

CSA B651

OBC

KOHLER® Faucet Lifetime Limited Warranty

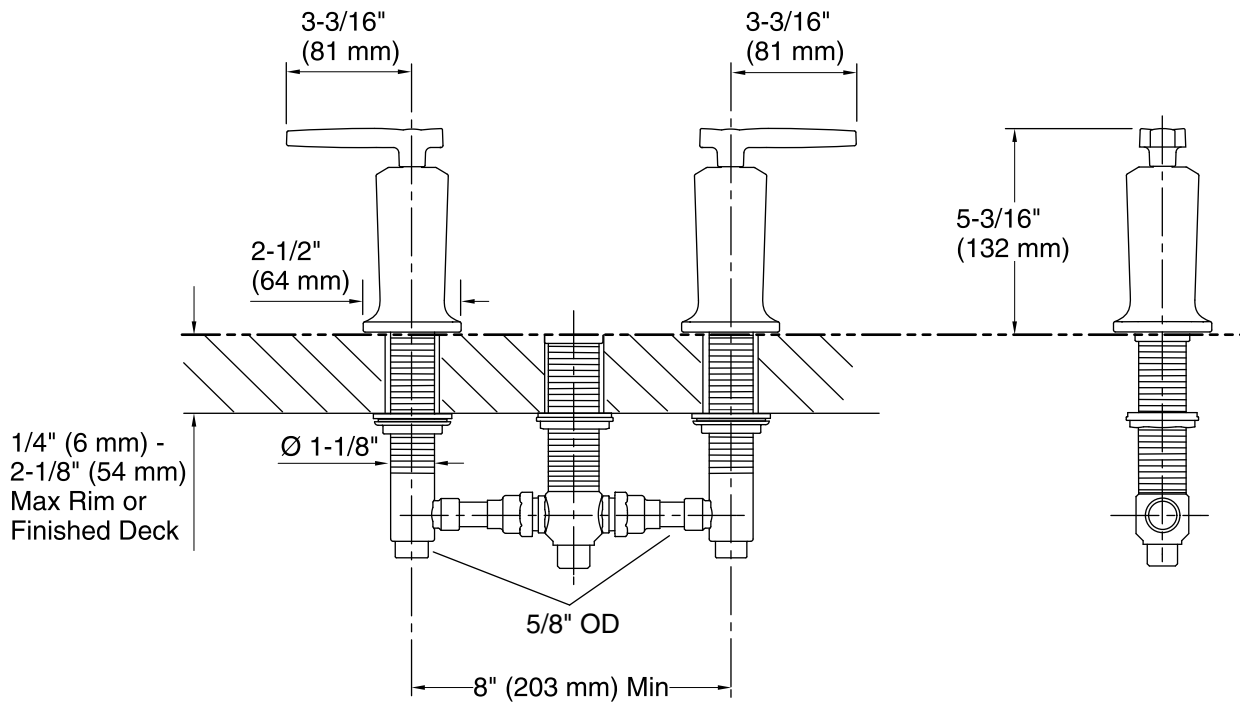
See website for detailed warranty information.

Available Color/Finishes

Color tiles intended for reference only.

Color	Code	Description
-------	------	-------------

	CP
	SN
	BN
	BV



Rim or Finished Deck Mount Installation

Technical Information

All product dimensions are nominal.

Notes

Install this product according to the installation instructions.

ADA, OBC, CSA B651 compliant when installed to the specific requirements of these regulations.