

# KOHLER®

## Margaux® | K-T16248-4

Deck-mount bath faucet handle trim with Lever design

### Features

- Lever handle style option



DISCONTINUED



1-800-4KOHLER (1-800-456-4537)  
Kohler Co. reserves the right to make revisions without notice to product specifications.  
For the most current specification sheet, go to [www.kohler.com](http://www.kohler.com) USA or [www.kohler.ca](http://www.kohler.ca) Canada.  
4-15-2026 4:6 - US-CA

THE BOLD LOOK  
OF **KOHLER®**

## Codes/Standards

ADA, OBC, CSA B651 compliant when installed to the specific requirements of these regulations.

ADA   CSA B651   OBC

ASME A112.18.1/CSA B125.1

ADA

ICC/ANSI A117.1

CSA B651

OBC

## Technical Information

All product dimensions are nominal.

### Handle

Handle Style/ Type:                      Lever

## Material

- Brass
- KOHLER finishes resist corrosion and tarnishing

## Recommended Products/Accessories

K-23723 Faucet cleaner

## Required Products/Accessories

- K-300-K 1/2" ceramic high-flow valve system

or

- K-301-K 3/4" ceramic high-flow valve system

## Warranty

See website for detailed warranty information.

KOHLER® Faucet Lifetime Limited Warranty

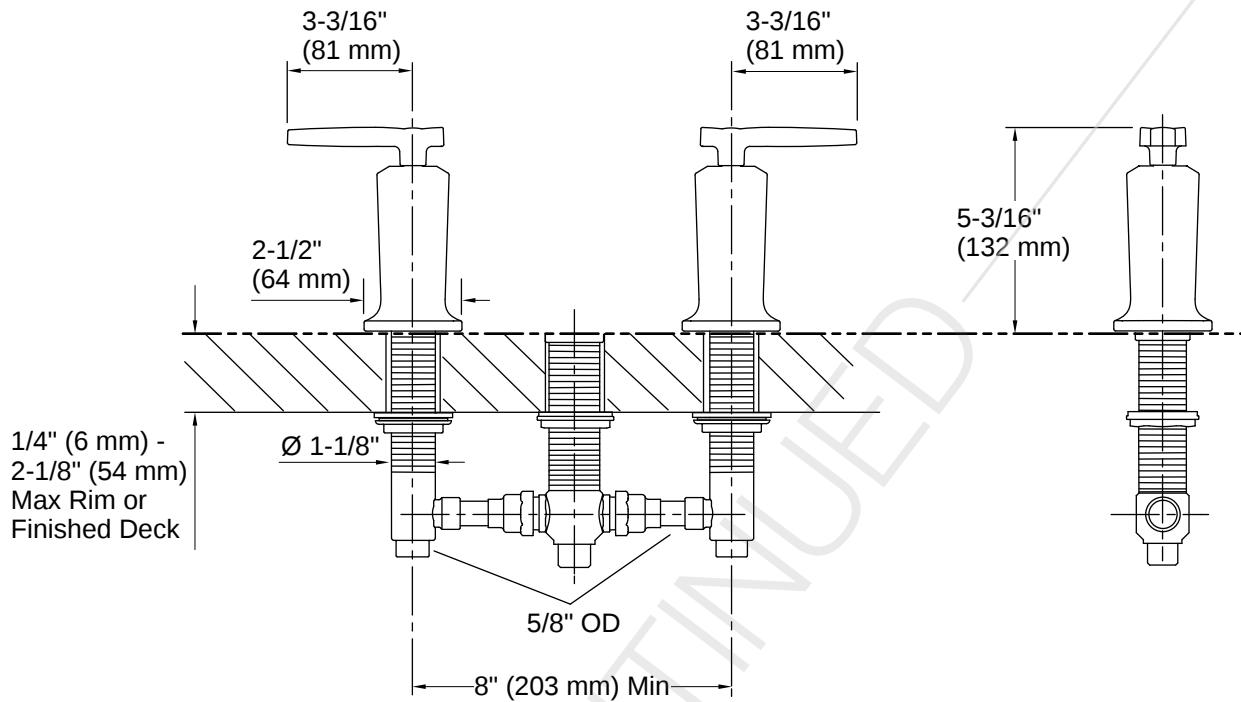


1-800-4KOHLER (1-800-456-4537)

Kohler Co. reserves the right to make revisions without notice to product specifications.

For the most current specification sheet, go to [www.kohler.com](http://www.kohler.com) USA or [www.kohler.ca](http://www.kohler.ca) Canada.

4-15-2026 4:6 - US-CA



Rim or Finished Deck  
Mount Installation

## Installation

- Deck-mount

## Installation Notes

*Install this product according to the installation instructions.*

ADA, OBC, CSA B651 compliant when installed to the specific requirements of these regulations.

