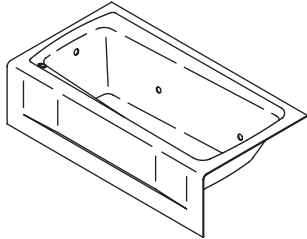


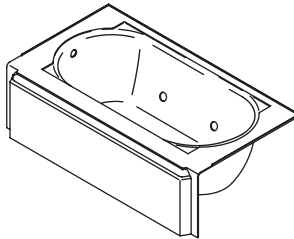
Installation Guide

Alcove Bath Whirlpool

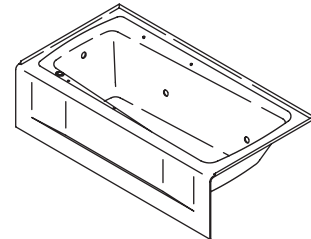
K-513, K-514



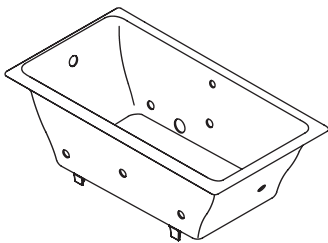
K-723, K-724



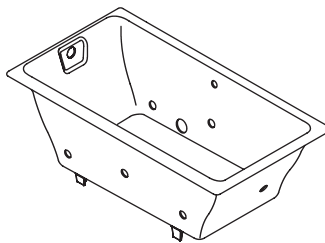
K-783, K-784



K-809



K-856



M product numbers are for Mexico (i.e. K-12345**M**)
Los números de productos seguidos de **M** corresponden a México
(Ej. K-12345**M**)
Français, page "Français-1"
Español, página "Español-1"

THE BOLD LOOK
OF **KOHLER**

Important Information



WARNING: When using electrical products, basic precautions should always be followed, including the following:



DANGER: Risk of electric shock. Connect only to circuits protected by a Ground-Fault Circuit-Interrupter (GFCI) or Earth-Leakage Circuit-Breaker (ELCB).

Building materials and wiring should be routed away from the pump body and other heat-producing components of the unit.

Install to permit access for servicing.

A pressure wire connector marked "Earth/Ground" is provided within the wiring compartment. To reduce the risk of electric shock, connect this connector to the grounding terminal of your electric service or supply panel with copper wire equivalent in size to the circuit conductor supplying this equipment.

Pressure wire connectors are provided on the exterior of the junction box or control within this unit to permit connection of a bonding conductor between this unit and all other exposed metal in the vicinity, as needed to comply with local requirements.

Grounding is required. The unit should be installed by a qualified service representative, and grounded.



WARNING: Risk of electric shock. A licensed electrician should make all electrical connections.



WARNING: Risk of electric shock. Disconnect power before servicing.



WARNING: Risk of injury or property damage. Please read all instructions thoroughly before beginning installation, including the following requirements.

NOTICE: Follow all local plumbing and electrical codes.

Product Information

Electrical Requirements

The installation must have a Class A Ground-Fault Circuit-Interrupter (GFCI) or Earth-Leakage Circuit-Breaker (ELCB). The GFCI or ELCB protect against line-to-ground shock hazard. **Use a 208 - 240 V, 20 A, 50/60 Hz dedicated service for the whirlpool.**

Product Notices



WARNING: Unauthorized modification may cause unsafe operation and poor performance of the whirlpool. Do not relocate the whirlpool pump, or make other modifications to the whirlpool system, as this could adversely affect the performance and safe operation of the whirlpool. Kohler Co. shall not be liable under its warranty or otherwise for personal injury or damage caused by any such unauthorized modification.

Features

Components include a pump, heater, control and illuminated switch (user keypad).

The whirlpool pump and piping are factory-assembled.

Connections and Service Access

Before installation, ensure proper access to the final connections.

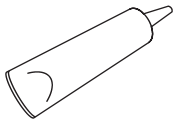
Product Information (cont.)

NOTICE: Provide generous, unrestricted service access to the pump. You must provide access for servicing the pump and controls. The access must be located immediately next to the pump. Study the roughing-in information packed with the whirlpool.

Table of Contents

Important Information	2
Product Information	2
Electrical Requirements	2
Product Notices	2
Features	2
Connections and Service Access	2
Tools and Materials	3
Before You Begin	3
Prepare the Site	5
Prepare the Site	6
Prepare the Whirlpool	6
Install the Whirlpool	7
Cut the Pump Banding Straps	7
Install the Plumbing	7
Make Electrical Connections	8
Install the Whirlpool Trim Kit	9
Test Run the Whirlpool	9
Complete the Finished Wall	10
Complete the Concrete Installation	10
Clean-Up After Installation	10
Confirm Proper Operation	11
Operating Sequence	11
Troubleshooting Procedures	11

Tools and Materials



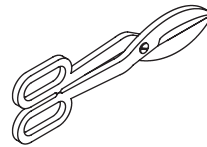
Silicone Sealant



Measuring Tape



Pencil



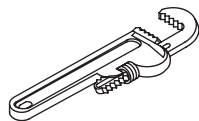
Tin Snips



Level



Safety Glasses



Pipe Wrench

Plus:

- Conventional woodworking or concrete installation tools and materials
- Drop cloth
- Metal shims
- 2x4s

Before You Begin



WARNING: Risk of personal injury. Your cast iron whirlpool is extremely heavy. Obtain sufficient help to carefully lift and move it.

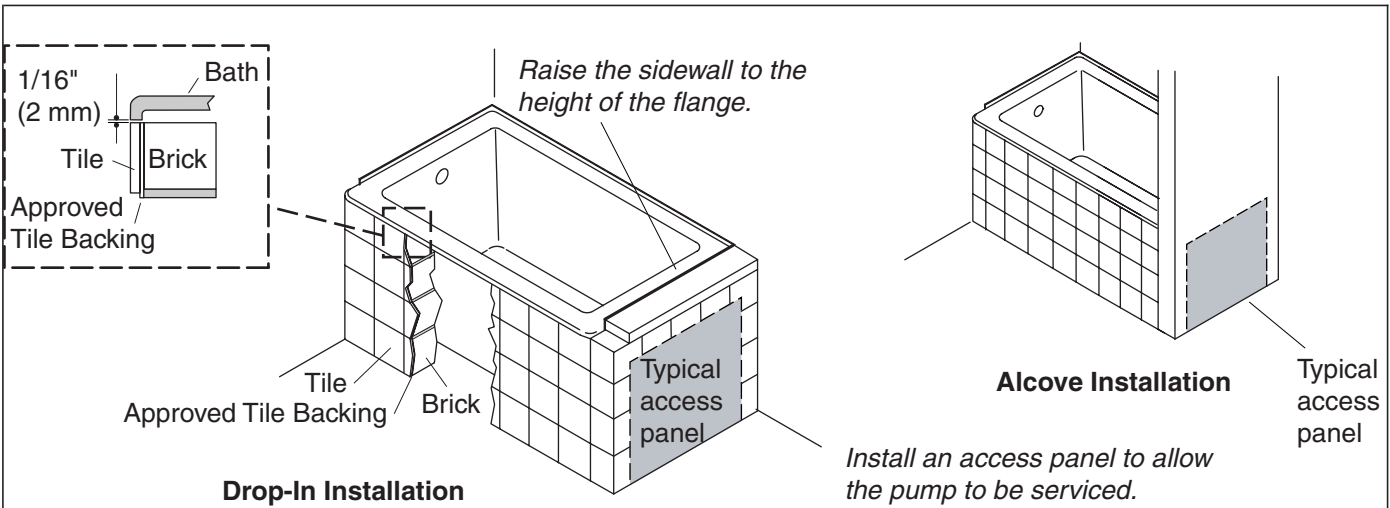


CAUTION: Risk of product damage. Do not lift the whirlpool by the piping or pump, or use the piping or pump for structural support of the whirlpool.

- We recommend this whirlpool for drop-in or alcove installation.

Before You Begin (cont.)

- Inspect the whirlpool for damage before you begin installation.
- You must install this whirlpool to an adequately supported, level subfloor.
- Kohler Co. reserves the right to make revisions in the design of products without notice, as specified in the Price Book.



1. Prepare the Site

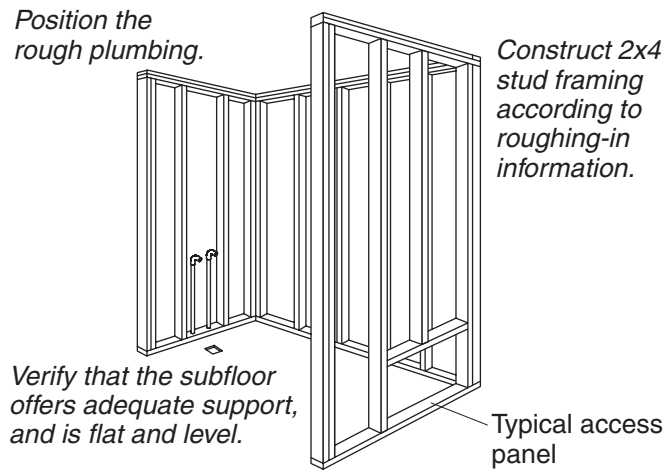
Concrete Construction

NOTICE: Adequate floor support must be provided. Consult the roughing-in sheet packed with your whirlpool for specific floor loading requirements.



CAUTION: Risk of product damage. Do not support the whirlpool by the rim.

- Make sure the flooring offers adequate support for your whirlpool, and verify that the subfloor is flat and level.
- The whirlpool should be installed in an alcove installation (a drop-in installation is also acceptable).
- Install an access panel to allow the pump to be serviced.
- Construct brick or concrete supports. When installing with two walls, the supports on the flanged side of the whirlpool should rise to the top of the flange.
- Position the plumbing according to the roughing-in information packed. Cap the supplies, and check for leaks.



2. Prepare the Site

Wood Construction

NOTICE: Adequate floor support must be provided. Consult the roughing-in sheet packed with your whirlpool for specific floor loading requirements.

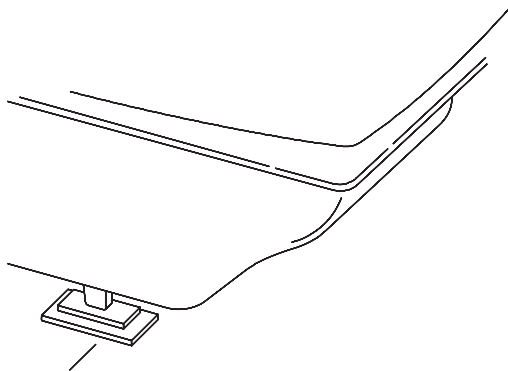


CAUTION: Risk of product damage. Do not support the whirlpool by the rim.

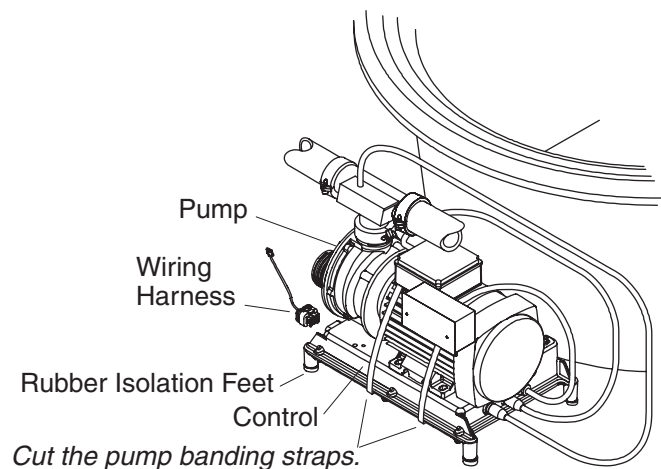
- Make sure the flooring offers adequate support for your whirlpool, and verify that the subfloor is flat and level.
- The whirlpool may be used in a drop-in or alcove installation. Construct 2x4 stud framing designed for your particular installation. Frame the floor, or construct a frame for a raised installation in accordance with the roughing-in information packed with the whirlpool.
- Install an access panel to allow the pump to be serviced.
- Position the plumbing according to the roughing-in information. Cap the supplies, and check for leaks.

3. Prepare the Whirlpool

- Install the drain to the whirlpool according to the drain manufacturer's instructions. Do not connect the trap at this time.
- Position a clean drop cloth or similar material in the bottom of the whirlpool. Be careful not to scratch the surface of the whirlpool.



Level by fitting metal shims under the whirlpool feet.



4. Install the Whirlpool



WARNING: Risk of personal injury. This cast iron whirlpool is extremely heavy. Obtain sufficient help to carefully lift and move it.



CAUTION: Risk of product damage. Do not lift the whirlpool by the piping or pump, or use the piping or pump for structural support of the whirlpool.



CAUTION: Risk of product damage. Do not support the whirlpool by the rim.

- Carefully move the whirlpool into position. Insert the drain tailpiece into the trap.
- Level the whirlpool by fitting metal shims under the whirlpool feet as needed. Check for level along the top of the whirlpool, and across the drain side. If the feet are not accessible from the back or side, move the whirlpool in and out of position to shim it properly. Make sure the whirlpool is resting on all four feet.

5. Cut the Pump Banding Straps

IMPORTANT! This step is necessary to make your Kohler whirlpool operate more quietly.

- Use tin snips to cut the two pump banding straps from the whirlpool pump.

NOTE: Do not raise the pump higher than it was before you cut the pump banding straps. If the pump is raised too high, it will not prime properly. Make sure the rubber isolation feet are in place.

- To minimize whirlpool noise and vibration, be sure the pump is not in direct contact with the shipping bracket after the pump banding straps are cut. The pump control contains rubber isolation feet to reduce pump noise.

6. Install the Plumbing

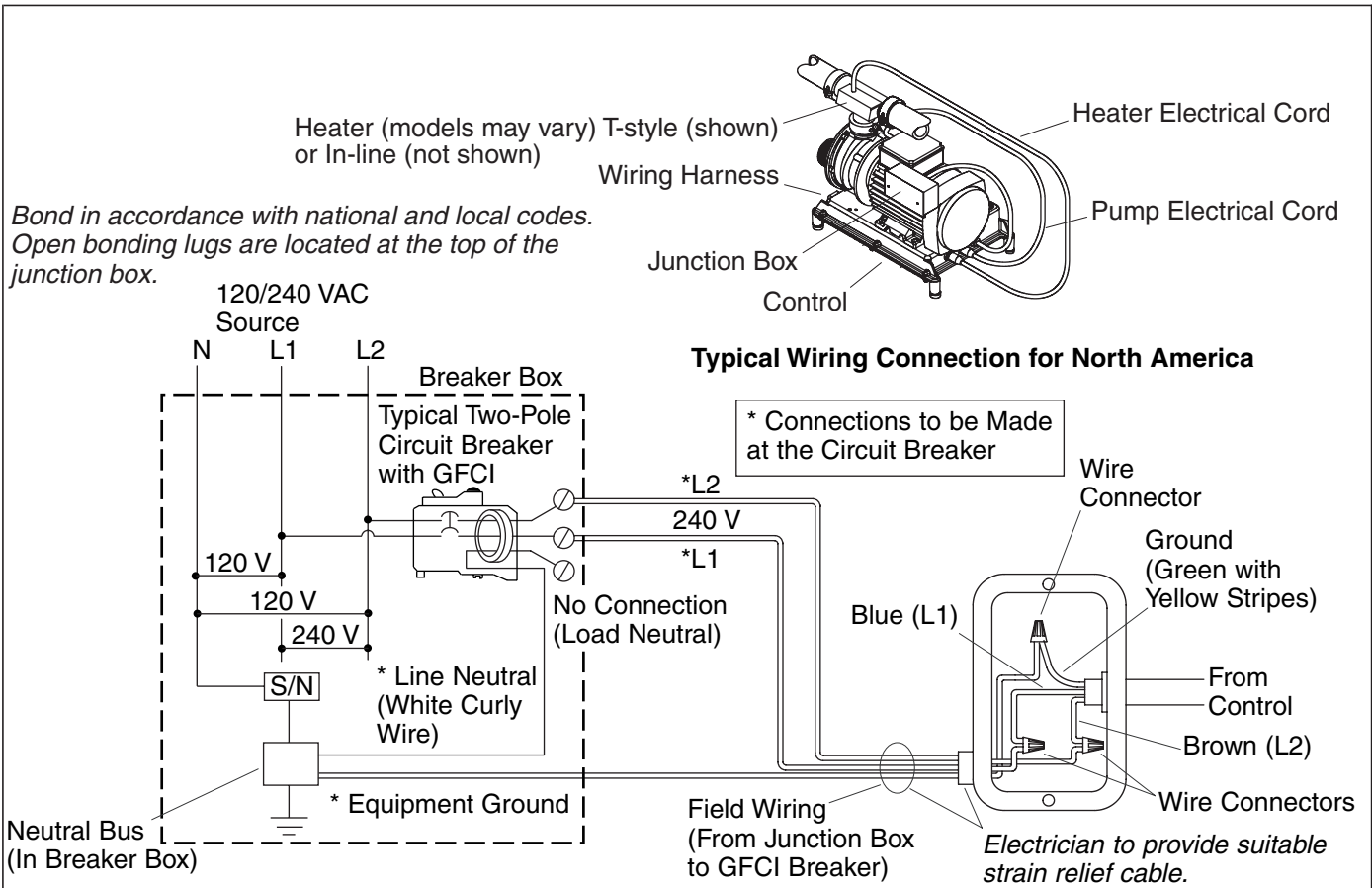


CAUTION: Risk of property damage. Ensure a watertight seal on the whirlpool drain.

- Connect the drain to the trap according to the drain manufacturer's instructions.

NOTICE: An access panel will simplify future maintenance.

- Install the faucet valving according to the faucet manufacturer's instructions. Do not install the faucet trim until instructed. Open the hot and cold water supplies, and check the supply connections for leakage.
- Run water into the whirlpool, and check the drain connections for leakage.



7. Make Electrical Connections

NOTE: The product model number is printed on a label on the pump side of the whirlpool bath. This label also identifies the electrical rating of the product. All whirlpools come equipped with a wiring junction box and are designed to operate between 208 VAC and 240 VAC at either 50 Hz or 60 Hz.



WARNING: Risk of electrical shock. Make sure the power has been disconnected before performing the following procedures. Refer to the "Important Information" section.

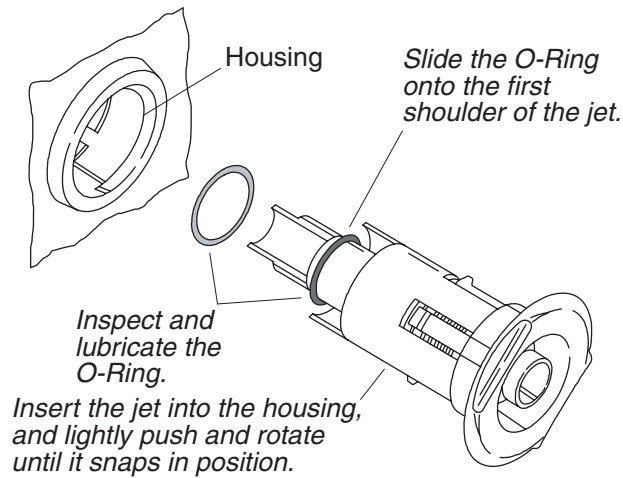


WARNING: Risk of electrical shock. To reduce the risk of electrical shock, connect the pump to a properly grounded Ground-Fault Circuit-Interrupter (GFCI) or Earth-Leakage Circuit-Breaker (ELCB). This will provide additional protection against line-to-ground shock hazard. A 208-240 V, 20 A, 50/60 Hz dedicated circuit is required.

IMPORTANT! The **load neutral** is not used. There should be no connection to the **load neutral** terminal on the Ground-Fault Circuit-Interrupter (GFCI) breaker. The green wire with the yellow stripe is the **equipment ground** and needs to be connected to the neutral bus in the main circuit breaker box.

- The whirlpool bath control and system have been pre-wired at the factory. A licensed electrician should make a routine service connection to the junction box.
- Connect service to the junction box. The junction box contains blue, brown, and green with a yellow stripe colored wires.
- Follow local electrical codes. Bond in accordance with national and local codes.
- A wiring harness has been pre-wired at the factory, allowing communication between the keypad, all features, and the control. No additional wiring is required, but ensure that all wires are securely fastened.

NOTE: Your wiring harness included an antenna for the optional remote control. Do not alter or damage this antenna during installation.



8. Install the Whirlpool Trim Kit

- Install the whirlpool trim kit according to the instructions packed with the trim kit. Pay particular attention to the jet installation steps below - they are very important and are included here to help you obtain smooth, trouble-free jet operation.

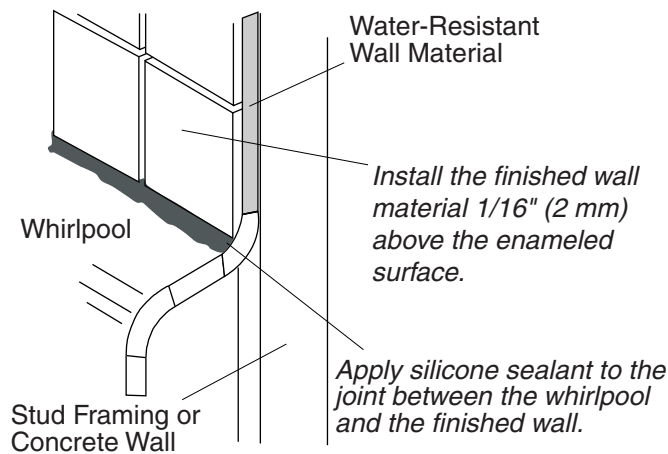
NOTE: The jet O-ring must be correctly positioned, must be lubricated, and must be in good condition to permit easy rotation and proper operation of the jet.

- Install the O-ring onto the **first shoulder** of the jet. Lubricate the O-ring with silicone lubricant to prevent noisy operation of the jet.
- Carefully insert the jet into the housing, and lightly push and rotate the jet until it snaps into position. **Do not force the jet.**

NOTE: When installed correctly, the jet should turn smoothly both clockwise and counterclockwise.

9. Test Run the Whirlpool

- Check all electrical connections, and make sure the electrical power to the whirlpool is turned on.
- Make sure all union connections to the pump and heater are securely hand tightened.
- Verify that the pump banding straps have been cut, and that the pump control is resting directly on the subfloor. Ensure that the rubber isolation feet are in place.
- Fill the whirlpool to a level at least 2" (5.1 cm) above the top of the highest jet.
- Operate the whirlpool for 5 minutes (refer to the "Operating Sequence" section) and check all whirlpool piping connections, on the back side, for leaks.
- For additional information on whirlpool operation, see "Confirm Proper Operation" section.



10. Complete the Finished Wall

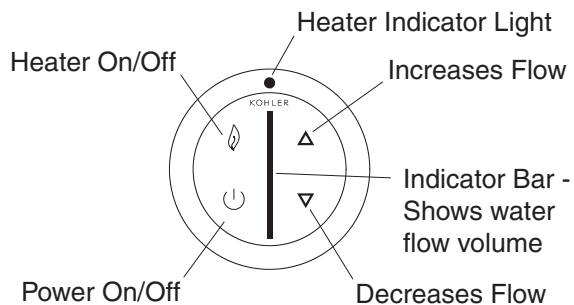
- If you have not already done so, carefully remove any protective tape from the whirlpool rim.
- Cover the framing with water-resistant wall material. Seal the joints between the whirlpool rim edge and the water-resistant wall material with silicone sealant.
- Tape and mud the water-resistant wall material. Install the finished wall to the water-resistant wall material so it is 1/16" (2 mm) above the enameled surface. Seal the joints between the whirlpool rim and the finished wall material with silicone sealant.
- Install the faucet trim according to the instructions packed with the trim.

11. Complete the Concrete Installation

- If you have not already done so, carefully remove the protective tape from the whirlpool rim.
- Apply mortar and tile to the wall, deck and surround material as needed.
- Apply a bead of sealant where the tile meets the whirlpool surface.
- Install the faucet trim according to the instructions packed with the trim.

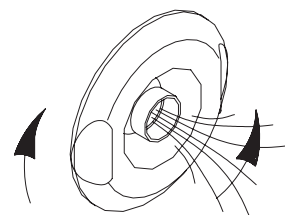
12. Clean-Up After Installation

- When cleaning up after installation, **do not use abrasive cleansers**, as they may scratch and dull the whirlpool surface. If necessary, use warm water and a liquid detergent to clean the surface of the whirlpool, user keypad and remote control.
- Remove stubborn stains, paint, or tar with turpentine or paint thinner. **Do not allow cleaners containing petroleum distillates to remain in contact with any whirlpool surfaces for long periods of time.** Remove plaster by carefully scraping with a wood edge. Do not use metal scrapers, wire brushes, or other metal tools. Use a powder-type detergent on a damp cloth to provide mild abrasive action to any residual plaster.



Lighted User Keypad

Turn the jet trim clockwise to decrease the flow.



Turn the jet trim counterclockwise to increase the flow.

13. Confirm Proper Operation

Fill the Whirlpool

NOTE: Please read these steps carefully before you operate your whirlpool.

- Position the jet nozzles so they face down toward the basin. Turn the jet trim rings fully counterclockwise.
- **Fill the whirlpool to a water level at least 2" (5.1 cm) above the top of the highest jet.**

NOTE: The water temperature in the whirlpool should not exceed 104°F (40°C). The heater will automatically turn off as the water temperature approaches 104°F (40°C) and will remain off until the water cools.

14. Operating Sequence

NOTE: A built-in heater automatically helps to maintain the water temperature when the whirlpool is running, as long as the water temperature does not exceed 104°F (40°C). The heater will disengage at higher temperatures.

IMPORTANT! Please refer to your Homeowners Guide for detailed instructions on the user keypad and optional remote control.

- Press the Power On/Off button to turn on the whirlpool. The whirlpool will start at medium flow.
- Increase or decrease the water flow by pressing either the up or down arrow buttons on the keypad. An indicator bar in the center of the keypad shows the water flow volume.
- Adjust each jet for optimum air/water mixture. Turn the jet trim clockwise to reduce the air flow, and counterclockwise to increase the air flow.
- Press the heater button to turn the heater off and back on. When illuminated, the indicator light shows that the water temperature will be maintained up to 104°F (40°C).
- Press the Power On/Off button a second time to turn the whirlpool off.

NOTE: A built-in timer automatically stops the pump and motor after approximately 20 minutes of operation.

15. Troubleshooting Procedures

This troubleshooting guide is for general aid only. A Kohler Authorized Service Representative or qualified electrician should correct all electrical problems. For warranty service, contact your dealer or wholesale distributor.

Troubleshooting Procedures (cont.)

Troubleshooting the Whirlpool System

Symptoms	Probable Causes	Recommended Action
1. User keypad does not illuminate when power button is pressed or outer ring is rotated.	<p>A. No power to control.</p> <p>B. GFCI or ELCB tripped.</p> <p>C. Wiring harness from user keypad to control is loose, disconnected or damaged.</p> <p>D. User keypad does not work.</p> <p>E. Control does not work.</p>	<p>A. Check wiring and connect power.</p> <p>B. Reset GFCI or ELCB.</p> <p>C. Check wiring for proper connections. Replace wiring harness if necessary.</p> <p>D. Replace user keypad.</p> <p>E. Replace control.</p>
2. Motor starts, but all jets are not functioning.	<p>A. Jet is closed.</p> <p>B. Jet not installed correctly.</p> <p>C. Jets are blocked.</p>	<p>A. Rotate jet trim counterclockwise to open.</p> <p>B. Reinstall jet; check for O-ring damage.</p> <p>C. Remove blockage.</p>
3. User keypad is illuminated, but does not respond to buttons or outer ring.	<p>A. Control program is locked.</p> <p>B. Wiring harness from user keypad to control is loose, disconnected or damaged.</p> <p>C. User keypad does not work.</p> <p>D. Control does not work.</p>	<p>A. Reset GFCI or ELCB.</p> <p>B. Check wiring for proper connections. Replace wiring harness if necessary.</p> <p>C. Replace user keypad.</p> <p>D. Replace control.</p>
4. User keypad indicator bar keeps scanning at power-up.	<p>A. Control program is locked.</p> <p>B. Wiring harness from user keypad to control is loose, disconnected or damaged.</p> <p>C. User keypad does not work.</p> <p>D. Control does not work.</p>	<p>A. Reset GFCI or ELCB.</p> <p>B. Check wiring for proper connections. Replace wiring harness if necessary.</p> <p>C. Replace user keypad.</p> <p>D. Replace control.</p>
5. User keypad is illuminated, but pump won't start.	<p>A. Power cord from pump to control is loose, disconnected or damaged.</p> <p>B. Pump does not work.</p> <p>C. Control does not work.</p>	<p>A. Check wiring for proper connections.</p> <p>B. Replace pump.</p> <p>C. Replace control.</p>
6. Motor runs but pump won't prime (cavitates).	<p>A. Pump is shimmed too high.</p> <p>B. Small air leak at pump inlet.</p> <p>C. Motor/pump does not work.</p> <p>D. Control does not work.</p>	<p>A. Lower pump/control to subfloor level.</p> <p>B. Securely tighten nut(s) on intake side of pump.</p> <p>C. Replace motor/pump.</p> <p>D. Replace control.</p>
7. Pump stops before 18 minutes.	<p>A. GFCI or ELCB tripped.</p> <p>B. Suction is blocked.</p> <p>C. Jets are blocked.</p> <p>D. Motor overheated and protection device activated.</p>	<p>A. Identify source of fault, and correct. Reset GFCI or ELCB.</p> <p>B. Remove obstruction.</p> <p>C. Remove blockage.</p> <p>D. Check for blockage at suction and/or jets. Remove blockage and allow motor to cool.</p>
8. Pump does not automatically stop after 22 minutes.	<p>A. 20-minute timer inadvertently disabled.</p>	<p>A. See service manual.</p>

Troubleshooting Procedures (cont.)

Symptoms	Probable Causes	Recommended Action
9. Pump won't turn off when the power button on user keypad is pressed.	A. User keypad does not work. B. Control does not work.	A. Replace user keypad. B. Replace control.
10. Pump operates but variable speed feature does not work.	A. Motor/pump does not work. B. Control does not work.	A. Replace motor/pump. B. Replace control.
11. Bath water cools while pump is operating.	A. Water temperature above 104°F (40°C). B. Heater is turned off on user keypad. C. Wiring from heater to control is loose, disconnected or damaged. D. Heater does not work. E. Control does not work.	A. Allow bath water to cool. B. Turn heater on. C. Check wiring for proper connections. D. Replace heater. E. Replace control.
12. Noisy operation.	A. Pump banding straps have not been cut. B. Dry or dislodged jet O-ring (squeal).	A. Cut pump banding straps with tin snips. B. Remove jet, replace and lubricate O-ring, and reinstall jet.
13. Remote control (if equipped) does not work.	A. Batteries improperly installed or dead. B. Antenna on wiring harness is damaged. C. Remote control not programmed correctly. D. Remote control does not work. E. Control does not work.	A. Replace batteries. B. Replace wiring harness. C. See homeowners guide or service manual. D. Replace remote control. E. Replace control.

Guide d'installation

Baignoire à hydromassage en alcôve

Renseignements importants



AVERTISSEMENT : Lors de l'utilisation des produits électriques, des précautions de base devraient toujours être observées, incluant ce qui suit:



DANGER : Risque d'électrocution. Raccorder uniquement à des circuits protégés par un Disjoncteur de Fuite de Terre (GFCI) ou à un Disjoncteur de Mise à la Terre (ELCB).

Les matériaux de construction et le câblage devraient être acheminés loin du corps de la pompe et des autres composants qui dégagent de la chaleur de l'unité.

Installer de façon à permettre l'accès pour l'entretien.

Un connecteur à pression pour câbles marqué "Terre/Masse" est fourni dans le compartiment de câblage. Afin de réduire les risques de choc électrique, raccorder le connecteur à une borne de terre du panneau de service électrique avec un câble en cuivre ayant la même dimension que le fil conducteur qui alimente cet équipement.

Un connecteur à pression par câble est prévu à l'extérieur de la boîte de jonction de la pompe ou de la commande de cet appareil afin de permettre la connexion entre l'appareil et toutes autres surfaces de métal avoisinantes, tel que requis par les normes locales.

Une mise à la terre est requise. L'appareil doit être installé et mis à la terre par un représentant qualifié.



AVERTISSEMENT : Risque d'électrocution. Tous les raccords électriques devraient être réalisés par un électricien agréé.



AVERTISSEMENT : Risque d'électrocution. Débrancher l'alimentation avant de procéder à l'entretien.



AVERTISSEMENT : Risque de blessures ou d'endommagement du matériel. Veuillez s'il vous plaît lire avec attention toutes les instructions avant de commencer l'installation, y compris les conditions suivantes:

AVIS : Respecter tous les codes de plomberie et électriques locaux.

Information sur le produit

Branchements électriques requis

Cette installation électrique doit avoir deux Disjoncteurs-Interrupteur de Fuite de Terre (GFCI) ou deux Disjoncteurs mis à la Terre (ELCB). Les disjoncteurs GFCI ou le ELCB protègent contre un risque d'électrocution. **Raccorder la baignoire à hydromassage à une alimentation indépendante de 208/240 V, 20 A, 50/60 Hz.**

Notices du produit



AVERTISSEMENT : Des modifications non approuvées pourraient provoquer un fonctionnement dangereux ou un mauvais fonctionnement de la baignoire à hydromassage. Ne pas déplacer la pompe d'hydromassage ou effectuer d'autres modifications au système d'hydromassage car cela pourrait affecter les performances et la sécurité de la baignoire à hydromassage. Kohler Co. décline toute responsabilité sous ses garanties quant à toutes blessures ou dommages causés par des modifications non autorisées.

Information sur le produit (cont.)

Caractéristiques

Les composants comprennent une pompe, un chauffeau, un contrôle et un voyant lumineux (clavier de l'utilisateur).

La pompe et la tuyauterie de la baignoire à hydromassage ont été assemblées en usine.

Connexions et accès pour l'entretien

S'assurer d'avoir suffisamment d'accès pour les connexions finales avant l'installation.

AVIS : Fournir un large accès non restreint de service à la pompe. Il faut prévoir un accès pour l'entretien de la pompe et des contrôles. L'accès doit être situé tout près de la pompe. Étudier le plan de raccordement qui accompagne la baignoire à hydromassage.

Sommaire

Renseignements importants	1
Information sur le produit	1
Branchements électriques requis	1
Notices du produit	1
Caractéristiques	2
Connexions et accès pour l'entretien	2
Avant de commencer	3
Outils et matériels	3
Préparer le site	4
Préparer le site	5
Préparer la baignoire à hydromassage	5
Installer la baignoire à hydromassage	6
Sectionner les sangles de retenue de la pompe	6
Installer la plomberie	6
Faire les connexions électriques	8
Installer le kit de garniture de la baignoire à hydromassage	10
Tester la baignoire à hydromassage	10
Compléter le mur fini	11
Compléter l'installation en béton	11
Nettoyage après installation	11
Confirmer le bon fonctionnement	12
Séquence d'opération	12
Procédures de dépannage	13

Avant de commencer



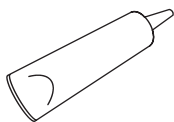
AVERTISSEMENT : Risque de blessures corporelles. Cette baignoire en fonte est très lourde. Obtenir suffisamment d'aide pour la soulever et la déplacer.



ATTENTION : Risque d'endommagement du produit. Ne pas soulever la baignoire à hydromassage par la tuyauterie ou par la pompe ou utiliser la tuyauterie ou la pompe pour supporter la baignoire à hydromassage.

- Nous recommandons cette baignoire à hydromassage pour une installation encastrée ou dans une alcôve.
- Avant l'installation, examiner la baignoire à hydromassage pour déceler tout dommage.
- Cette baignoire à hydromassage doit être installée sur un sol nivelé adéquat.
- Kohler Co. se réserve le droit d'apporter toutes modifications sur le design des produits et ceci sans préavis, tel que spécifié dans le catalogue des prix.

Outils et matériels



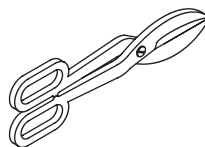
Silicone d'étanchéité



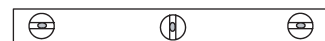
Mètre ruban



Crayon à papier



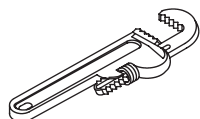
Cisaille de ferblantier



Niveau à bulle



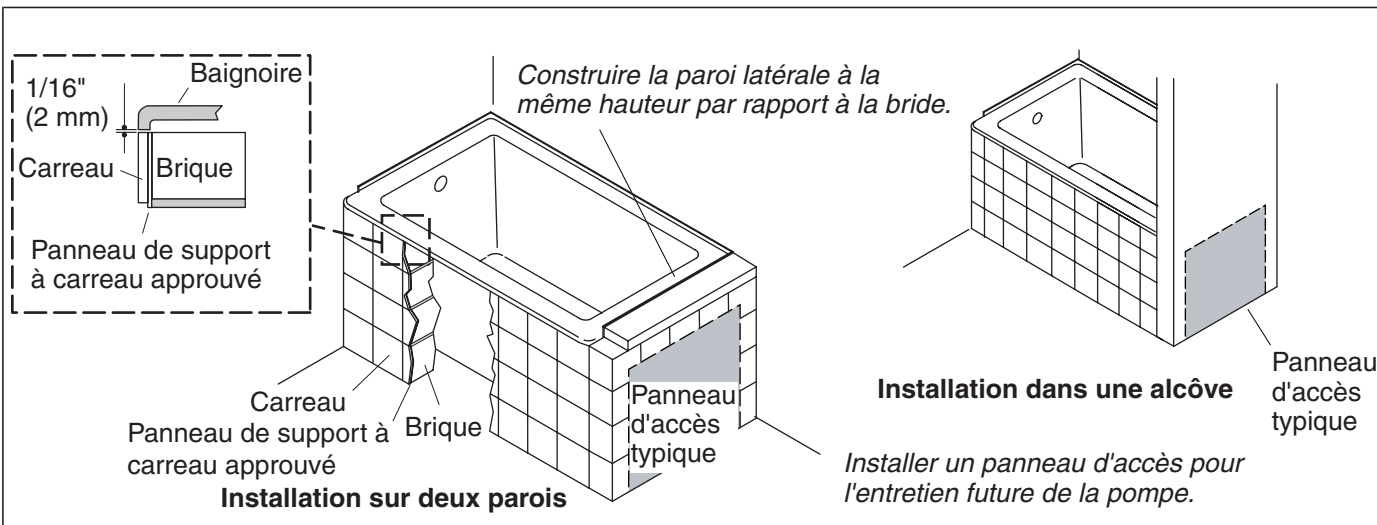
Lunettes de protection



Clé à griffes

Plus :

- Outils conventionnels de menuiserie ou outils et matériaux pour installation
- Bâche de protection
- Cales en métal
- 2 x 4



1. Préparer le site

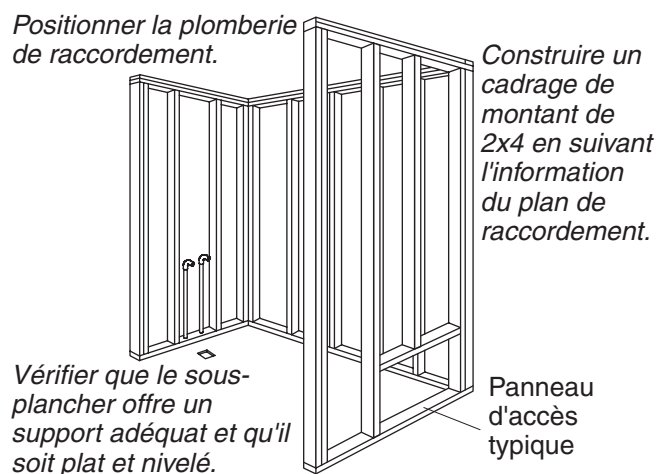
Construction en béton

AVIS : Un support adéquat doit être fourni. Consulter le guide du raccordement emballé avec la baignoire à hydromassage pour les spécifications de préparation du sol.



ATTENTION : Risque d'endommagement du produit. Ne pas soulever la baignoire à hydromassage par le rebord.

- S'assurer que le sol constitue un support adéquat pour la baignoire à hydromassage et que le plancher soit plat et nivelé.
- La baignoire à hydromassage devrait être installée dans une alcôve (une installation encastrée est aussi acceptable).
- Installer un panneau d'accès pour un entretien futur de la pompe.
- Construire des supports en brique ou béton. Si l'on installe sur deux parois, les renforts du côté de la bride de la baignoire à hydromassage doivent avoir la même hauteur par rapport au dessus de la bride.
- Déterminer l'emplacement de la plomberie selon le plan de raccordement fourni. Boucher les alimentations et vérifier s'il y a des fuites.



2. Préparer le site

Construction en bois

AVIS : Un support adéquat doit être fourni. Consulter le guide du raccordement emballé avec la baignoire à hydromassage pour les spécifications de préparation du sol.

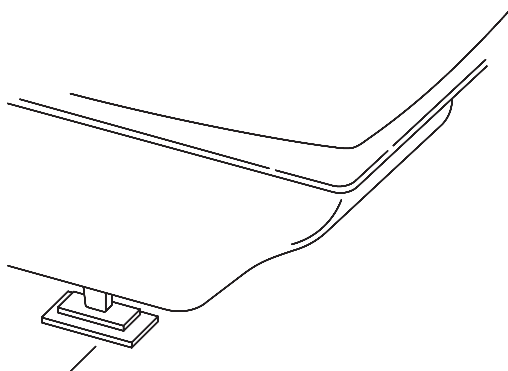


ATTENTION : Risque d'endommagement du produit. Ne pas soulever la baignoire à hydromassage par le rebord.

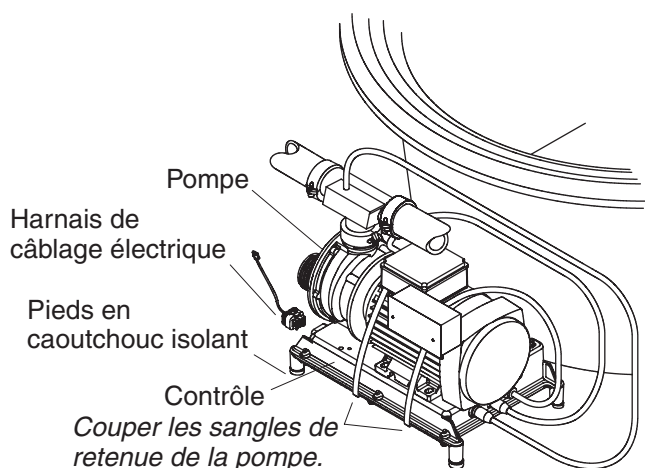
- S'assurer que le sol constitue un support adéquat pour la baignoire à hydromassage et que le plancher soit plat et nivelé.
- La baignoire à hydromassage peut être installée dans une installation encastré ou en alcôve. Construire un cadre à montant de 2x4 pour cette installation particulière. Cadrer le sol ou construire un cadre pour une installation surélevée en accordance avec le plan de raccordement fourni avec la baignoire à hydromassage.
- Installer un panneau d'accès pour un entretien futur de la pompe.
- Positionner la plomberie selon l'information du plan du raccordement. Boucher les alimentations et vérifier s'il y a des fuites.

3. Préparer la baignoire à hydromassage

- Installer le drain sur la baignoire à hydromassage selon les instructions du fabricant. Ne pas connecter le siphon à ce moment.
- Placer un chiffon propre ou matière similaire à la base de la baignoire à hydromassage. S'assurer de ne pas rayer la surface de la baignoire à hydromassage.



Niveler à l'aide des cales en métal sous les pieds de la baignoire.



4. Installer la baignoire à hydromassage



AVERTISSEMENT : Risque de blessures corporelles. Cette baignoire à hydromassage en fonte est très lourde. Obtenir suffisamment d'aide pour la soulever et la déplacer.



ATTENTION : Risque d'endommagement du produit. Ne pas soulever la baignoire à hydromassage par la tuyauterie ou par la pompe ou utiliser la tuyauterie ou la pompe pour supporter la baignoire à hydromassage.



ATTENTION : Risque d'endommagement du produit. Ne pas soulever la baignoire à hydromassage par le rebord.

- Mettre soigneusement la baignoire à hydromassage en place. Insérer la pièce de raccordement du drain dans le siphon.
- Niveler la baignoire à hydromassage à l'aide de cales métalliques sous ses pieds selon le besoin. Vérifier le nivelage au long de la baignoire à hydromassage par le haut, et à travers le côté du drain. Si les pieds ne sont pas accessibles par le côté ou par l'arrière, déplacer la baignoire à hydromassage pour bien la câler. S'assurer que la baignoire à hydromassage repose sur les quatre pieds.

5. Sectionner les sangles de retenue de la pompe

IMPORTANT ! Cette étape est nécessaire pour que votre baignoire à hydromassage Kohler fonctionne plus silencieusement.

- Utiliser une cisaille pour sectionner les sangles de retenue de la pompe de la baignoire à hydromassage.

REMARQUE : Ne pas soulever la pompe à un niveau supérieur à celui d'avant avoir coupé les sangles de retenue. Si la pompe est trop élevée, elle ne s'amorcera pas correctement. S'assurer que les pieds d'isolation en caoutchouc soient en place.

- Pour réduire les bruits et vibrations émanant de la baignoire à hydromassage, s'assurer que la pompe ne soit pas en contact direct des supports d'expédition après que les sangles aient été sectionnées. Le contrôle de la pompe contient des pieds en caoutchouc isolant pour réduire le bruit de la pompe.

6. Installer la plomberie



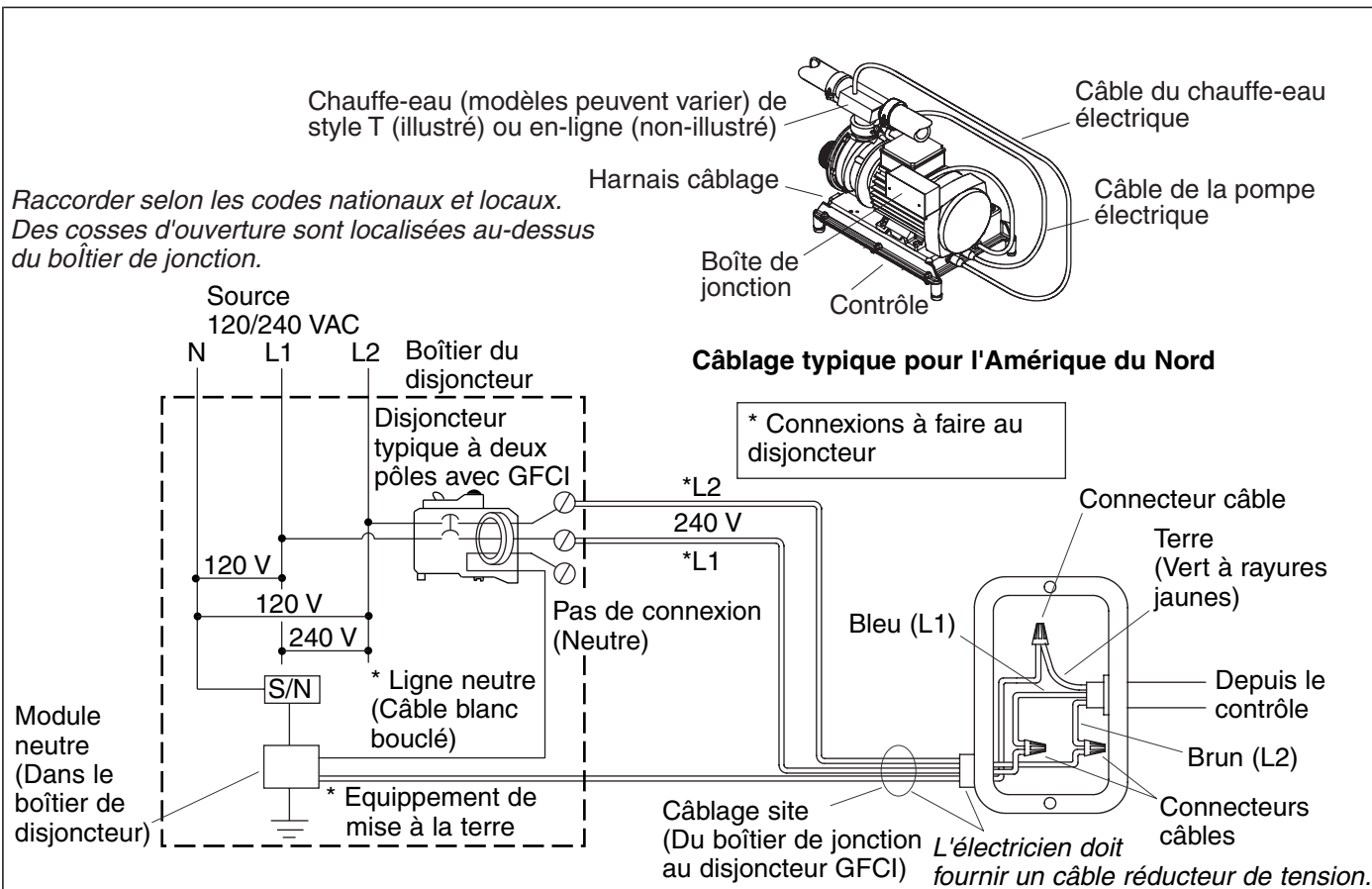
ATTENTION : Risque d'endommagement du matériel. Assurer un joint étanche sur le drain de la baignoire à hydromassage.

- Connecter le drain au siphon selon les instructions du fabricant.

AVIS : Un panneau d'accès facilitera une maintenance future.

Installer la plomberie (cont.)

- Installer les valves du robinet conformément aux instructions du fabricant. Ne pas installer la garniture du robinet avant l'instruction de le faire. Ouvrir les alimentations d'eau chaude et froide et vérifier qu'il n'y ait pas de fuites.
- Laisser couler l'eau dans la baignoire à hydromassage et vérifier s'il y a des fuites dans les connexions du drain.



7. Faire les connexions électriques

REMARQUE : Le numéro de modèle du produit est imprimé sur une étiquette placée du côté de la pompe de la baignoire à hydromassage. Cette étiquette identifie aussi le calibrage électrique du produit. Toutes les baignoires à hydromassage sont équipées d'une boîte de jonction et sont conçues pour opérer entre 208 VAC et 240 VAC soit à 50 HZ ou 60 HZ.



AVERTISSEMENT : Risque d'électrocution. S'assurer que l'alimentation ait été débranchée avant d'effectuer les procédures suivantes. Se référer à la section "Information Importante".



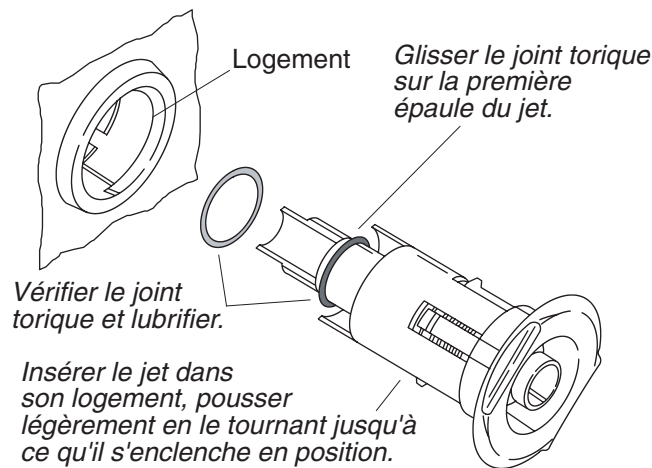
AVERTISSEMENT : Risque d'électrocution. Pour réduire les risques d'électrocution, connecter proprement la pompe à un disjoncteur coupe-circuit (GFCI) ou à un coupe-circuit de fuite à la terre (ELCB). Ceci fournira une mesure de protection additionnelle contre le risque d'électrocution. Un circuit dédié de 208-240 V, 20 A, 50/60Hz. est nécessaire.

IMPORTANT ! Le **neutre** n'est pas utilisé. Il ne devrait pas y avoir de connexion au **neutre** du disjoncteur coupe-circuit (GFCI). Le câble vert à rayure jaune est le **conducteur de terre** et doit être connecté au neutre de la boîte du disjoncteur.

- Le contrôle et le système de la baignoire à hydromassage ont été pré-câblés en usine. Un électricien agréé devrait faire la connexion de routine à la boîte de jonction.
- Connecter le service au boîtier de jonction. La boîte de jonction contient des câbles bleus, marrons et verts à rayures.
- Suivre tous les codes électriques locaux. Raccorder selon les codes nationaux et locaux.
- Un harnais a été pré-câblé en usine, permettant la communication entre le clavier, toutes les caractéristiques, et le contrôle. Aucun câblage supplémentaire n'est nécessaire, mais s'assurer que tous les câbles soient bien sécurisés.

Faire les connexions électriques (cont.)

REMARQUE : Votre harnais de câblage comprend une antenne pour la télécommande optionnelle. Ne pas modifier ni endommager cette antenne pendant l'installation.



8. Installer le kit de garniture de la baignoire à hydromassage

- Installer la garniture de la baignoire à hydromassage selon les instructions emballées. Observer avec attention les directives d'installation du jet ci-dessous - elles sont très importantes et sont incluses pour aider à réaliser une opération sans problème.

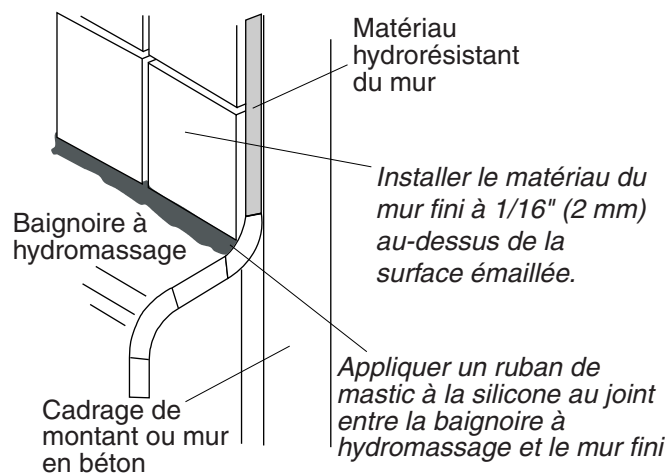
REMARQUE : Le joint torique doit être positionné correctement, il doit être en bon état et lubrifié adéquatement afin d'assurer la rotation et le bon fonctionnement du jet.

- Installer le joint torique sur le **premier rebord** du jet. Lubrifier le joint torique avec de la silicone de lubrification afin d'éviter le fonctionnement bruyant du jet.
- Insérer délicatement le jet dans le logement, puis pousser et pivoter légèrement jusqu'à ce qu'il s'enclenche en place. **Ne pas forcer le jet.**

REMARQUE : Lorsqu'il est bien installé, le jet devrait pivoter aisément dans les deux sens.

9. Tester la baignoire à hydromassage

- Contrôler toutes les connexions électriques, et s'assurer que l'alimentation électrique de la baignoire à hydromassage soit en marche.
- S'assurer que tous les raccords à la pompe et au chauffe-eau soient fermement serrés à la main.
- S'assurer également que les sangles de retenue des pompes aient été sectionnées et que la pompe repose directement sur le plancher. S'assurer que les pieds d'isolation en caoutchouc soient en place.
- Remplissez la baignoire à au moins 2" (5,1 cm) au-dessus de la buses la plus élevée.
- Opérer la baignoire à hydromassage pendant 5 minutes (se référer à la section "Séquence d'opération") et inspecter tous les raccords des tuyaux de la baignoire à hydromassage, à l'arrière, de toutes fuites.
- Pour plus d'information concernant le fonctionnement de la baignoire à hydromassage, référer à la section "Confirmation du bon fonctionnement".



10. Compléter le mur fini

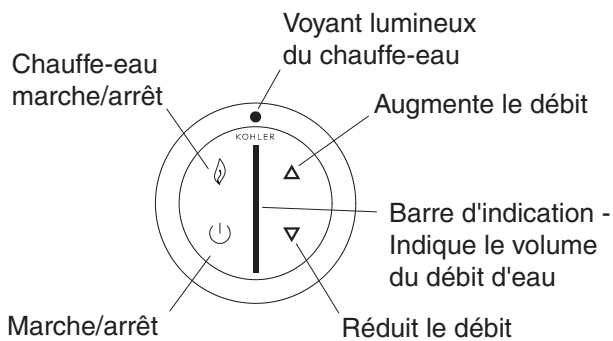
- Retirer soigneusement toute pellicule de protection recouvrant la surface de la baignoire à hydromassage si cela n'a pas déjà été fait.
- Recouvrir le cadrage avec du matériau hydro-résistant. Fixer les joints entre le rebord de la baignoire à hydromassage et le matériau hydro-résistant du mur à l'aide de mastic à la silicone.
- Poser et appliquer le matériau hydro-résistant du mur. Installer le mur fini sur le matériau hydro-résistant du matériau du mur à [1/16" (2 mm)] au-dessus de la surface émaillée. Sceller les joints d'étanchéité entre le bord de la baignoire à hydromassage et le matériau du mur fini avec du mastic à la silicone.
- Installer la garniture du robinet suivant les instructions emballées avec celle-ci.

11. Compléter l'installation en béton

- Retirer soigneusement la pellicule de protection recouvrant la surface de la baignoire à hydromassage si cela n'a pas déjà été fait.
- Appliquer du mortier et poser les carreaux sur le mur, le comptoir et le matériau avoisinant selon le besoin.
- Appliquer un lit d'étanchéité à l'endroit où les carreaux rencontrent le rebord de la baignoire à hydromassage.
- Installer la garniture du robinet suivant les instructions emballées avec celle-ci.

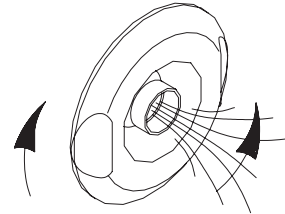
12. Nettoyage après installation

- Lors du nettoyage après l'installation, **ne pas utiliser de nettoyant abrasif**, car il pourrait rayer et abîmer la surface de la baignoire à hydromassage. Si nécessaire, nettoyer la surface de la baignoire à hydromassage avec un savon doux et de l'eau tiède ainsi que le clavier de l'utilisateur et la télécommande.
- Retirer les taches résistantes, peinture, ou goudron avec de l'essence de térébenthine ou un diluant pour peinture. **Ne pas laisser de produits à base de pétrole en contact avec les surfaces de la baignoire à hydromassage pendant une longue période.** Retirer les résidus de plâtre en raclant au moyen d'un bord en bois. Ne pas utiliser de grattoirs en métal, une brosse en fer ou d'autres outils en métal. Utiliser des nettoyants en poudre sur un chiffon humide pour une action abrasive douce sur les résidus de plâtre.



Clavier de l'utilisateur illuminé

Tourner la bague du jet vers la droite pour diminuer le débit de l'eau.



Tourner la bague du jet vers la gauche pour augmenter le débit de l'eau.

13. Confirmer le bon fonctionnement

Remplir la baignoire à hydromassage

REMARQUE : Veuillez lire avec attention ces étapes avant d'opérer la baignoire à hydromassage.

- Orienter les jets vers le fond du bassin. Tourner les bagues de garniture du jet complètement vers la gauche.
- **Remplir la baignoire à au moins 2" (5,1 cm) au-dessus du jet le plus élevé.**

REMARQUE : La température de la baignoire à hydromassage ne devrait pas excéder 104°F (40°C). Le chauffe-eau s'arrêtera automatiquement si la température dépasse 104°F (40°C) et restera arrêté jusqu'à ce que l'eau refroidisse.

14. Séquence d'opération

REMARQUE : Un chauffe-eau intégré aide automatiquement à maintenir la température de l'eau constante quand la baignoire à hydromassage est en route, et tant que la température de l'eau ne dépasse 104°F (40°C). Le chauffe-eau s'arrêtera aux températures plus hautes.

IMPORTANT ! Veuillez s'il vous plaît vous référer au guide du propriétaire pour de plus amples informations concernant l'utilisation du clavier et la télécommande.

- Presser le bouton On/Off pour activer la baignoire à hydromassage. La baignoire à hydromassage commencera à opérer avec un débit moyen.
- Augmenter ou diminuer le débit de l'eau en pressant sur les flèches haut et bas du clavier. Une barre d'indication située au centre du clavier indique le volume du débit d'eau.
- Ajuster chaque jet pour un mélange optimal d'eau et d'air. Pivoter l'anneau vers la droite pour réduire le débit d'air, ou vers la gauche pour l'augmenter.
- Presser sur l'icône du chauffe-eau pour l'arrêter ou le redémarrer. Lorsqu'allumé, le voyant lumineux indique que la température d'eau sera maintenue jusqu'à 104 F (40° C).
- Appuyer sur le bouton On/Off une deuxième fois, pour arrêter la baignoire à hydromassage.

REMARQUE : Une minuterie intégrée arrête automatiquement la pompe et le moteur après environ 20 minutes d'opération.

15. Procédures de dépannage

Ce guide de dépannage est seulement destiné à une aide générale. Seul un technicien agréé Kohler ou un électricien qualifié devrait corriger tous les problèmes électriques. Pour une réparation sous garantie, contacter le vendeur ou distributeur.

Dépannage du système d'hydromassage

Symptômes	Causes probables	Action recommandée
1. Le clavier ne s'illumine pas quand le bouton est pressé ou quand la bague extérieure est tournée.	<p>A. Pas d'alimentation au contrôle.</p> <p>B. Les disjoncteurs GFCI ou ELCB se déclenchent.</p> <p>C. Le harnais du câblage du clavier est desserré, débranché ou endommagé.</p> <p>D. Le clavier ne fonctionne pas.</p> <p>E. Le contrôle ne fonctionne pas.</p>	<p>A. Vérifier le câblage et connecter l'alimentation électrique.</p> <p>B. Réinitialiser le GFCI ou le ELCB.</p> <p>C. Vérifier que les connexions du câblage soient correctes. Remplacer le harnais du câblage si nécessaire.</p> <p>D. Remplacer le clavier.</p> <p>E. Remplacer le contrôle.</p>
2. Le moteur démarre, mais tous les jets ne fonctionnent pas.	<p>A. Le jet est fermé.</p> <p>B. Le jet n'est pas installé correctement.</p> <p>C. Les jets sont bloqués.</p>	<p>A. Tourner la bague du jet vers la gauche pour ouvrir.</p> <p>B. Réinstaller le jet; s'assurer que le joint torique ne soit pas endommagé.</p> <p>C. Retirer le blocage.</p>
3. Le clavier est illuminé mais, ne répond pas aux boutons ou bague extérieure.	<p>A. Le programme de contrôle est verrouillé.</p> <p>B. Le harnais du câblage du clavier est desserré, débranché ou endommagé.</p> <p>C. Le clavier ne fonctionne pas.</p> <p>D. Le contrôle ne fonctionne pas.</p>	<p>A. Réinitialiser le GFCI ou le ELCB.</p> <p>B. Vérifier que les connexions du câblage soient correctes. Remplacer le harnais du câblage si nécessaire.</p> <p>C. Remplacer le clavier.</p> <p>D. Remplacer le contrôle.</p>
4. La barre d'indication du clavier continue le balayage au démarrage.	<p>A. Le programme de contrôle est verrouillé.</p> <p>B. Le harnais du câblage du clavier est desserré, débranché ou endommagé.</p> <p>C. Le clavier ne fonctionne pas.</p> <p>D. Le contrôle ne fonctionne pas.</p>	<p>A. Réinitialiser le GFCI ou le ELCB.</p> <p>B. Vérifier que les connexions du câblage soient correctes. Remplacer le harnais du câblage si nécessaire.</p> <p>C. Remplacer le clavier.</p> <p>D. Remplacer le contrôle.</p>
5. Le clavier est illuminé, mais la pompe de démarre pas.	<p>A. Le câble de la pompe est desserré, déconnecté ou endommagé.</p> <p>B. La pompe ne fonctionne pas.</p> <p>C. Le contrôle ne fonctionne pas.</p>	<p>A. Vérifier que les connexions du câblage soient correctes.</p> <p>B. Remplacer la pompe.</p> <p>C. Remplacer le contrôle.</p>
6. Le moteur fonctionne mais la pompe ne pompe pas (pompe cavitante).	<p>A. La pompe est trop élevée.</p> <p>B. Petite fuite d'air à l'entrée de la pompe.</p> <p>C. Le moteur/pompe ne fonctionne pas.</p> <p>D. Le contrôle ne fonctionne pas.</p>	<p>A. Baisser la pompe/contrôle au niveau du plancher.</p> <p>B. Serrer soigneusement le(s) écrou(s) des tuyaux de l'admission de la pompe.</p> <p>C. Remplacer le moteur/la pompe.</p> <p>D. Remplacer le contrôle.</p>

Procédures de dépannage (cont.)

Symptômes	Causes probables	Action recommandée
7. La pompe s'arrête automatiquement avant 18 minutes.	<p>A. Les disjoncteurs GFCI ou ELCB se déclenchent.</p> <p>B. L'aspiration est bloquée.</p> <p>C. Les jets sont bloqués.</p> <p>D. Moteur surchauffé et système de protection activé.</p>	<p>A. Identifier la source du problème puis y remédier. Réinitialiser le GFCI ou le ELCB.</p> <p>B. Retirer l'obstruction.</p> <p>C. Retirer le blocage.</p> <p>D. Vérifier s'il y a un blocage à l'aspiration et/ou aux jets. Retirer l'obstruction et laisser le moteur refroidir.</p>
8. La pompe ne s'arrête pas automatiquement après 22 minutes.	A. La minuterie de 20 minutes s'arrête par inadvertance.	A. Consulter le manuel de service.
9. La pompe ne s'arrête pas quand le bouton de marche du clavier est pressé.	<p>A. Le clavier ne fonctionne pas.</p> <p>B. Le contrôle ne fonctionne pas.</p>	<p>A. Remplacer le clavier.</p> <p>B. Remplacer le contrôle.</p>
10. La pompe fonctionne, mais la fonction de vitesse variable ne fonctionne pas.	<p>A. Le moteur/pompe ne fonctionne pas.</p> <p>B. Le contrôle ne fonctionne pas.</p>	<p>A. Remplacer le moteur/la pompe.</p> <p>B. Remplacer le contrôle.</p>
11. L'eau de la baignoire se refroidit pendant l'opération de la pompe.	<p>A. La température de l'eau au dessus de 104° F (40° C).</p> <p>B. Le chauffe-eau est arrêté par le clavier.</p> <p>C. Le câblage du chauffe-eau est desserré, débranché ou endommagé.</p> <p>D. Le chauffe-eau ne fonctionne pas.</p> <p>E. Le contrôle ne fonctionne pas.</p>	<p>A. Laisser l'eau du bain refroidir.</p> <p>B. Mettre le chauffe-eau en marche.</p> <p>C. Vérifier que les connexions du câblage soient correctes.</p> <p>D. Remplacer le chauffe-eau.</p> <p>E. Remplacer le contrôle.</p>
12. Fonctionnement bruyant.	<p>A. Les sangles de retenue de la pompe n'ont pas été coupées.</p> <p>B. Joint torique sec ou délogé (crissement).</p>	<p>A. Couper les sangles de retenue avec des cisailles de ferblantier.</p> <p>B. Retirer le jet, remplacer et lubrifier le joint torique, et réinstaller le jet.</p>
13. La télécommande (si équipé) ne fonctionne pas.	<p>A. Les piles sont mal installées ou épuisées.</p> <p>B. L'antenne du câblage électrique est endommagée.</p> <p>C. La télécommande n'est pas correctement programmée.</p> <p>D. La télécommande ne fonctionne pas.</p> <p>E. Le contrôle ne fonctionne pas.</p>	<p>A. Remplacer les piles.</p> <p>B. Remplacer le harnais de câblage électrique.</p> <p>C. Consulter le guide du propriétaire ou le manuel de service.</p> <p>D. Remplacer la télécommande.</p> <p>E. Remplacer le contrôle.</p>

Guía de instalación

Bañera de hidromasaje de sobreponer

Información importante



ADVERTENCIA: Al usar aparatos eléctricos, siga siempre las precauciones básicas, incluyendo las siguientes:



PELIGRO: Riesgo de descarga eléctrica. Conecte la unidad solamente a circuitos protegidos por un interruptor de circuito con pérdida a tierra (GFCI) o disyuntor de fuga a tierra (ELCB).

El material de construcción y el cableado se deben colocar lejos del cuerpo de la bomba y de otros componentes que produzcan calor.

Instale la unidad de manera que se permita el acceso para el mantenimiento.

El compartimento de cables incluye un conector de presión que tiene inscrito "Earth/Ground". Para reducir el riesgo de descarga eléctrica, conecte este conector al terminal de tierra de su tablero eléctrico o panel de suministro eléctrico con un cable de cobre del mismo tamaño que los conductores del circuito que alimentan este equipo.

Esta unidad incluye conectores de presión en la parte exterior de la caja de empalmes o control para permitir la conexión de un conductor de conexión a tierra entre este producto y cualquier metal expuesto en las proximidades de la unidad, tal como lo requieren las normas locales.

La conexión a tierra es un requisito. Un representante de servicio autorizado debe instalar esta unidad y conectarla a tierra.



ADVERTENCIA: Riesgo de descarga eléctrica. Un electricista calificado debe realizar todas las conexiones eléctricas.



ADVERTENCIA: Riesgo de descarga eléctrica. Desconecte el suministro eléctrico antes de dar mantenimiento.



ADVERTENCIA: Riesgo de lesiones personales o daños a la propiedad. Lea atentamente todas las instrucciones antes de comenzar la instalación, incluyendo los requisitos detallados a continuación.

AVISO: Cumpla con todos los códigos locales de electricidad y de plomería.

Información sobre el producto

Requisitos eléctricos

La instalación debe incluir un interruptor de circuito con pérdida a tierra (GFCI) de Clase A o un disyuntor de fuga a tierra (ELCB). El GFCI o ELCB protege contra el peligro de descarga eléctrica de línea a tierra. **Utilice un circuito dedicado de 208 - 240 V, 20 A, 50/60 Hz para la bañera de hidromasaje.**

Avisos sobre el producto



ADVERTENCIA: Las modificaciones no autorizadas pueden causar un funcionamiento peligroso y bajo rendimiento de la bañera de hidromasaje. No cambie la ubicación de la bomba de la bañera de hidromasaje, ni haga otras modificaciones en el sistema de hidromasaje, ya que esto podría tener un efecto adverso en el rendimiento y en el funcionamiento seguro de la bañera de hidromasaje. Kohler Co. no se hace responsable bajo esta garantía o de ninguna otra forma, de las lesiones personales o los daños provocados por modificaciones no autorizadas.

Información sobre el producto (cont.)

Características

Los componentes incluyen una bomba, un calentador, un control e interruptores iluminados (teclado).
La bomba y las tuberías de la bañera de hidromasaje están montadas en fábrica.

Acceso de servicio y a las conexiones

Antes de instalar, asegúrese de proveer el acceso adecuado a las conexiones finales.

AVISO: Provea bastante acceso, sin restricciones, para dar servicio a la bomba. Se debe proveer acceso para dar servicio a la bomba y los controles. El panel de acceso se debe ubicar justo al lado de la bomba. Consulte el diagrama de instalación incluido con la bañera de hidromasaje.

Contenido

Información importante	1
Información sobre el producto	1
Requisitos eléctricos	1
Avisos sobre el producto	1
Características	2
Acceso de servicio y a las conexiones	2
Antes de comenzar	3
Herramientas y materiales	3
Prepare el sitio	4
Prepare el sitio	5
Prepare la bañera de hidromasaje	5
Instale la bañera de hidromasaje	6
Corte las cintas metálicas que sujetan la bomba	6
Instale la plomería	6
Realice las conexiones eléctricas	8
Instale el kit de guarnición de la bañera de hidromasaje	10
Pruebe el funcionamiento de la bañera de hidromasaje	10
Termine la pared acabada	11
Termine la instalación de concreto	11
Limpieza después de la instalación	11
Confirme el funcionamiento correcto	12
Secuencia de funcionamiento	12
Procedimientos para resolver problemas	13

Antes de comenzar



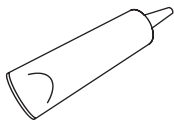
ADVERTENCIA: Riesgo de lesiones personales. Su bañera de hidromasaje de hierro fundido es sumamente pesada. Obtenga suficiente ayuda para levantarla y desplazarla con cuidado.



PRECAUCIÓN: Riesgo de daños al producto. No levante la bañera de hidromasaje por los tubos o la bomba, ni use los tubos o la bomba como soporte estructural de la bañera de hidromasaje.

- Recomendamos esta bañera de hidromasaje para una instalación de sobreponer o encajonada entre tres paredes.
- Verifique que la bañera de hidromasaje no esté dañada antes de iniciar la instalación.
- Es necesario instalar la bañera de hidromasaje en un subpiso nivelado y con suficiente soporte.
- Kohler Co. se reserva el derecho de modificar el diseño de los productos sin previo aviso, tal como se especifica en la lista de precios.

Herramientas y materiales



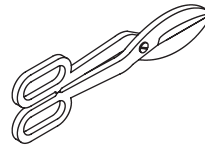
Sellador de silicona



Cinta para medir



Lápiz



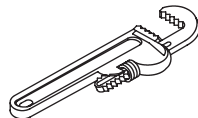
Tijeras para chapa



Nivel



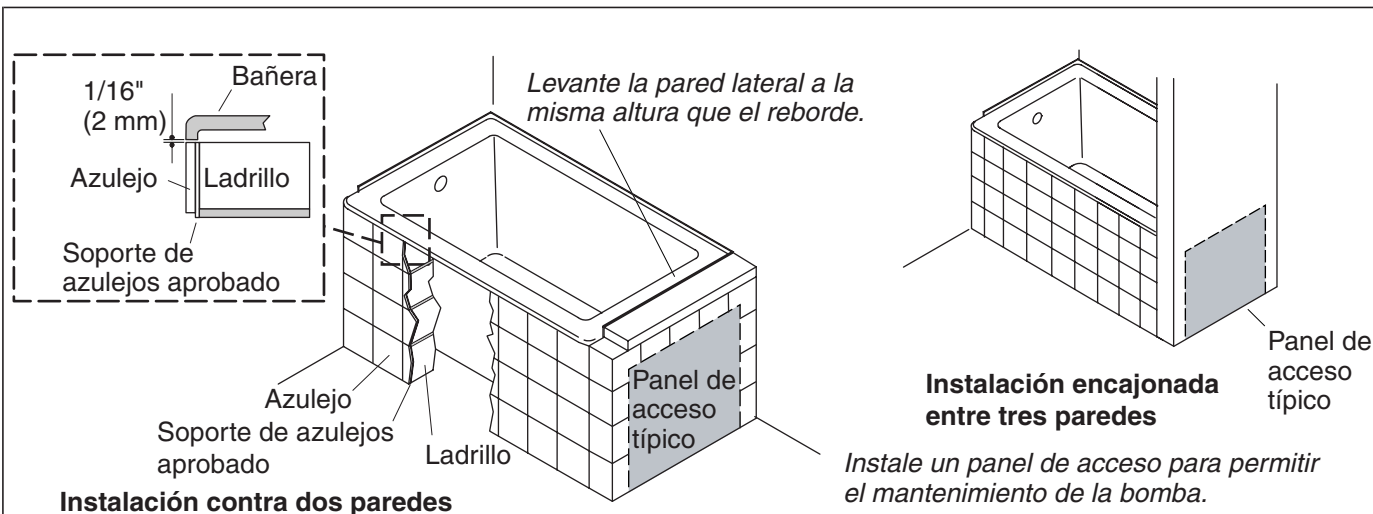
Lentes de seguridad



Llave para tubo

Más:

- Herramientas y materiales convencionales para instalar la madera y el concreto
- Lona para el piso
- Cuñas de metal
- Postes de 2x4



1. Prepare el sitio

Construcción de concreto

AVISO: Se debe proveer el soporte de piso adecuado. Consulte el diagrama de instalación incluido con su bañera de hidromasaje para obtener los requisitos de carga específicos para el piso.

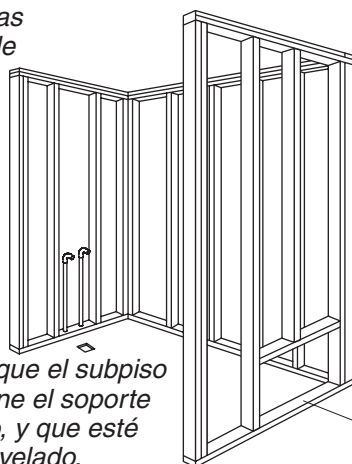


PRECAUCIÓN: Riesgo de daños al producto. No apoye la bañera de hidromasaje por los bordes.

- Asegúrese de que el piso ofrezca suficiente soporte para su bañera de hidromasaje y que el subpiso esté plano y nivelado.
- La bañera de hidromasaje debe instalarse encajonada entre tres paredes (también es aceptable una instalación de sobreponer).
- Instale un panel de acceso para facilitar el mantenimiento de la bomba.
- Construya soportes de ladrillo o concreto. Si la instalación se realiza entre dos paredes, los soportes del lado con reborde de la bañera deben llegar a la parte superior del reborde.
- Instale las tuberías de plomería según el diagrama de instalación provisto. Tape los suministros y verifique que no haya fugas.

Coloque las tuberías de plomería.

Verifique que el subpiso proporcione el soporte adecuado, y que esté plano y nivelado.



Construya una estructura de postes de 2x4 conforme al diagrama de instalación.

Panel de acceso típico

2. Prepare el sitio

Construcción de madera

AVISO: Se debe proveer el soporte de piso adecuado. Consulte el diagrama de instalación incluido con su bañera de hidromasaje para obtener los requisitos de carga específicos para el piso.

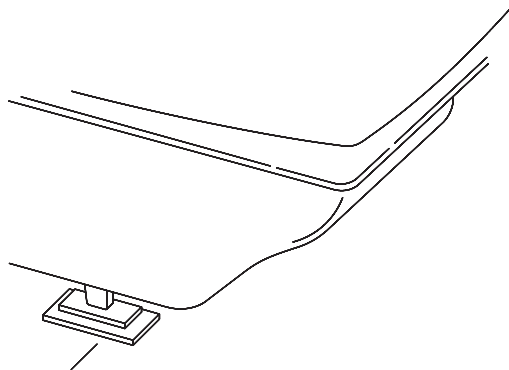


PRECAUCIÓN: Riesgo de daños al producto. No apoye la bañera de hidromasaje por los bordes.

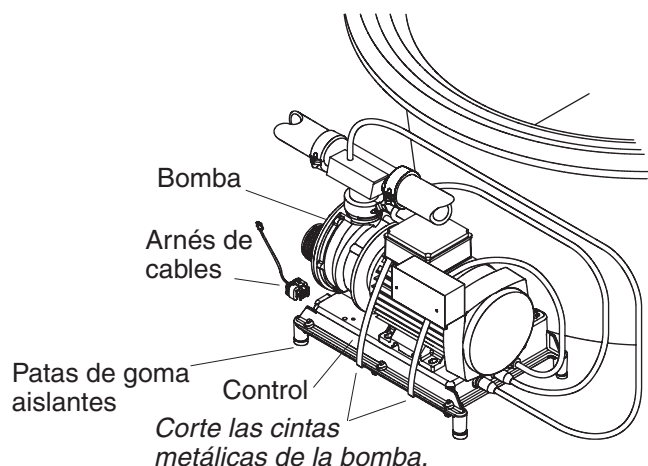
- Asegúrese de que el piso ofrezca suficiente soporte para su bañera de hidromasaje y que el subpiso esté plano y nivelado.
- Esta bañera de hidromasaje puede montarse en una instalación de sobreponer o encajonada entre tres paredes. Construya una estructura de postes de 2x4 para su instalación en particular. Construya la estructura del piso o construya una estructura para una instalación elevada, conforme a la información del diagrama de instalación provista con la bañera de hidromasaje.
- Instale un panel de acceso para facilitar el mantenimiento de la bomba.
- Coloque las tuberías según el diagrama de instalación. Tape los suministros y verifique que no haya fugas.

3. Prepare la bañera de hidromasaje

- Instale el desagüe en la bañera de hidromasaje según las instrucciones del fabricante del desagüe. Aún no conecte la trampa.
- Coloque una lona gruesa limpia o un material similar en el fondo de la bañera de hidromasaje. Tenga cuidado de no rayar la superficie de la bañera de hidromasaje.



Nivele, colocando cuñas metálicas debajo de las patas de la bañera de hidromasaje.



4. Instale la bañera de hidromasaje



ADVERTENCIA: Riesgo de lesiones personales. Esta bañera de hidromasaje de hierro fundido es sumamente pesada. Obtenga suficiente ayuda para levantarla y desplazarla con cuidado.



PRECAUCIÓN: Riesgo de daños al producto. No levante la bañera de hidromasaje por los tubos o la bomba, ni use los tubos o la bomba como soporte estructural de la bañera de hidromasaje.



PRECAUCIÓN: Riesgo de daños al producto. No apoye la bañera de hidromasaje por los bordes.

- Con cuidado coloque la bañera de hidromasaje en su lugar. Inserte el tubo de desagüe en la trampa.
- De ser necesario, nivele la bañera de hidromasaje colocando cuñas metálicas debajo de las patas. Compruebe que el lado superior de la bañera de hidromasaje y el lado del desagüe estén nivelados. Si no tiene acceso a las patas de soporte desde la parte de atrás o por el lado, mueva la bañera de hidromasaje hacia adentro y hacia afuera hasta que esté acunada apropiadamente. Verifique que la bañera de hidromasaje esté nivelada y apoyada sobre las cuatro patas.

5. Corte las cintas metálicas que sujetan la bomba

¡IMPORTANTE! Este paso es necesario para que su bañera de hidromasaje Kohler funcione más silenciosamente.

- Utilice unas tijeras para chapa para cortar las dos cintas metálicas de la bomba en la bañera de hidromasaje.

NOTA: No levante la bomba a mayor altura de la que tenía antes de cortar las cintas metálicas. Si la bomba está demasiado alta, no cebará correctamente. Asegúrese de que las patas aislantes de goma estén en su lugar.

- Para minimizar el ruido y la vibración de la bañera de hidromasaje, asegúrese de que la bomba no esté en contacto directo con el soporte de transporte una vez cortadas las cintas metálicas. El control de la bomba contiene patas de goma aislantes para reducir el ruido de la bomba.

6. Instale la plomería



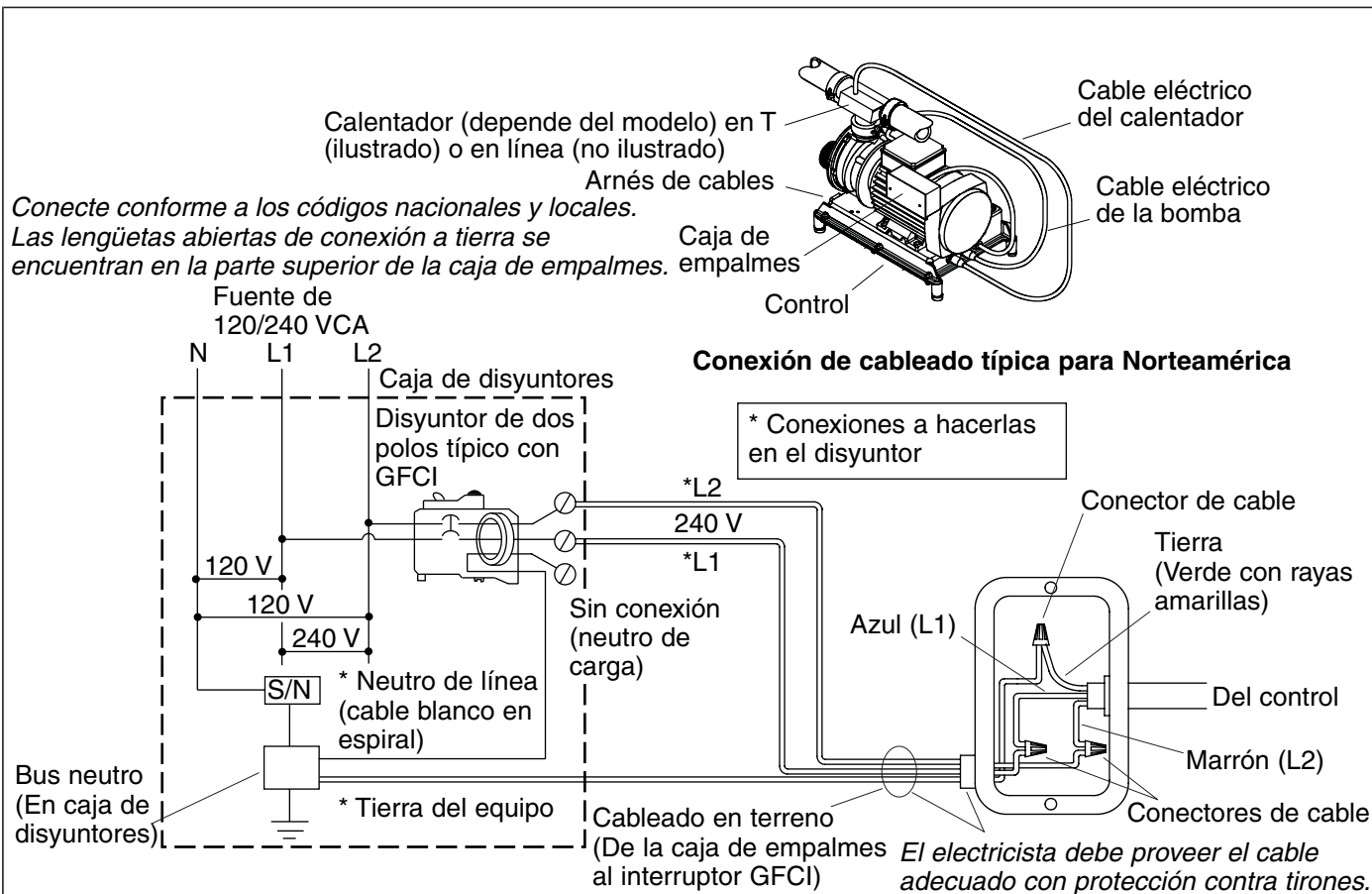
PRECAUCIÓN: Riesgo de daños a la propiedad. Asegúrese de que haya un sellado impermeable en el desagüe de la bañera de hidromasaje.

- Conecte el desagüe a la trampa según las instrucciones del fabricante del desagüe.

AVISO: Un panel de acceso facilitará el mantenimiento futuro.

Instale la plomería (cont.)

- Instale las válvulas de la grifería según las instrucciones del fabricante de la grifería. No instale la guarnición de la grifería hasta que se le indique. Abra los suministros del agua caliente y fría, y compruebe que no haya fugas en las conexiones de suministro.
- Haga que el agua circule en la bañera de hidromasaje y compruebe que no haya fugas en las conexiones del desagüe.



7. Realice las conexiones eléctricas

NOTA: El número de modelo está impreso en una etiqueta ubicada del lado de la bomba de la bañera de hidromasaje. Esta etiqueta identifica la capacidad nominal eléctrica del producto. Todas las bañeras de hidromasaje están equipadas con una caja de empalmes y están diseñadas para funcionar entre 208 VCA y 240 VCA a 50 Hz o 60 Hz.



ADVERTENCIA: Riesgo de descarga eléctrica. Asegúrese de desconectar la corriente eléctrica antes de realizar el siguiente procedimiento. Consulte la sección "Información importante".



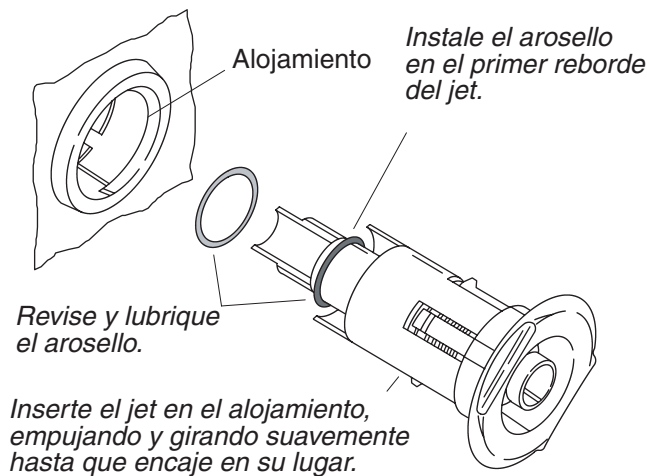
ADVERTENCIA: Riesgo de descarga eléctrica. Para reducir el riesgo de descarga eléctrica, conecte la bomba a un interruptor de circuito con pérdida a tierra (GFCI) o disyuntor de fuga a tierra (ELCB), correctamente conectado a tierra. Esto servirá de protección adicional contra el peligro de descarga eléctrica de línea a tierra. Es necesario un circuito dedicado de 208-240 V, 20 A, 50/60 Hz.

¡IMPORTANTE! El **neutro de carga** no se usa. No debe haber conexión al terminal **neutro de carga** del interruptor de circuito con pérdida a tierra (GFCI) de Clase A. El cable verde con raya amarilla es la **tierra del equipo** y es necesario conectarlo al bus neutro de la caja principal de circuitos eléctricos.

- El cableado del sistema y el control de la bañera de hidromasaje se ha realizado en la fábrica. Un electricista calificado debe realizar las conexiones eléctricas de la caja de empalmes.
- Conecte el cable de servicio eléctrico a la caja de empalmes. La caja de empalmes tiene cables de color azul, marrón y verde con una raya amarilla.
- Cumpla con todos los códigos eléctricos locales. Conecte conforme a los códigos nacionales y locales.
- El cableado del arnés de cables se ha realizado en la fábrica, permitiendo la comunicación entre el teclado, todas las funciones y el control. No es necesario realizar ningún cableado adicional, pero asegúrese de que todos los cables se hayan afianzado bien.

Realice las conexiones eléctricas (cont.)

NOTA: El arnés de cables incluye una antena para el control remoto opcional. No modifique ni dañe la antena durante la instalación.



8. Instale el kit de guarnición de la bañera de hidromasaje

- Instale el kit de guarnición de la bañera de hidromasaje según las instrucciones incluidas con el mismo. Siga atentamente los pasos de instalación de los jets que se presenta a continuación - pues los mismos contienen información importante para obtener un funcionamiento libre de problemas.

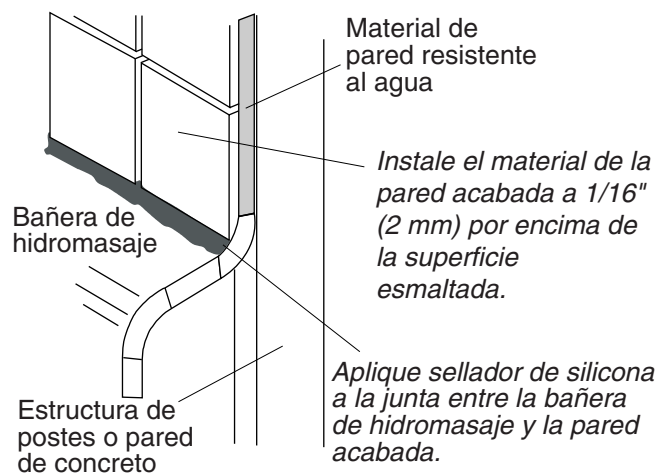
NOTA: El arosello (O-ring) del jet debe estar correctamente colocado, lubricado y en buenas condiciones para que el jet pueda girar fácilmente y funcione bien.

- Instale el arosello (O-ring) en el **primer reborde** del jet. Lubrique el arosello (O-ring) con lubricante de silicona para evitar que el jet haga ruido.
- Inserte con cuidado el jet en el alojamiento, empuje levemente y gire el jet hasta que encaje en su lugar. **No fuerce el jet.**

NOTA: Cuando está instalado correctamente, el jet gira sin problemas en ambos sentidos.

9. Pruebe el funcionamiento de la bañera de hidromasaje

- Revise todas las conexiones eléctricas y asegúrese de que la bañera de hidromasaje esté conectada a la alimentación eléctrica.
- Asegúrese de que todas las conexiones de unión de la bomba y el calentador estén bien apretadas a mano.
- Verifique que las cintas metálicas estén cortadas y que el control de la bomba descansa directamente sobre el subpiso. Asegúrese de que las patas aislantes de goma estén colocadas en su lugar.
- Llene la bañera de hidromasaje al menos 2" (5,1 cm) por encima del jet más alto.
- Haga funcionar la bañera de hidromasaje durante 5 minutos (consulte la sección "Secuencia de funcionamiento") y revise que no haya fugas en las conexiones de la tubería de el lado posterior de la bañera de hidromasaje.
- Para obtener información adicional acerca del funcionamiento de la bañera de hidromasaje, consulte la sección "Confirme el funcionamiento correcto".



10. Termine la pared acabada

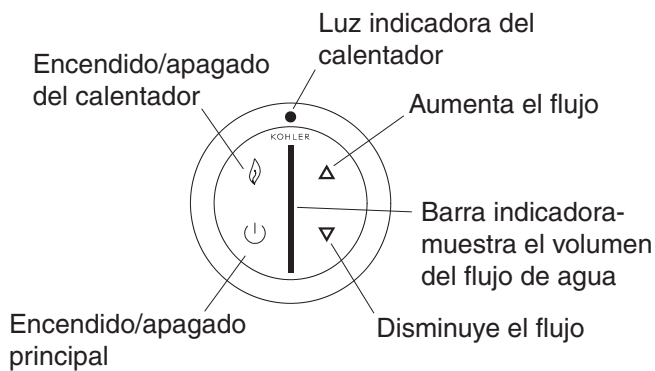
- Retire con cuidado la cinta protectora del borde de la bañera de hidromasaje, si aún no lo ha hecho.
- Cubra la estructura de postes de madera con material de pared resistente al agua. Selle las juntas entre el filo del borde de la bañera de hidromasaje y el material de pared resistente al agua con sellador de silicona.
- Adhiera el material de pared resistente al agua con cinta y yeso. Instale la pared acabada sobre el material resistente al agua, de manera que esté a 1/16 (2 mm) por encima de la superficie esmaltada. Selle las juntas entre el borde de la bañera de hidromasaje y el material de la pared acabada utilizando sellador de silicona.
- Instale la guarnición de la grifería conforme a las instrucciones incluidas con la guarnición.

11. Termine la instalación de concreto

- Retire con cuidado la cinta protectora del borde de la bañera de hidromasaje, si aún no lo ha hecho.
- Aplique cemento de construcción y adhiera los azulejos a la pared, cubierta y al material circundante según sea necesario.
- Aplique una tira de sellador en los lugares donde el azulejo entre en contacto con la superficie de la bañera de hidromasaje.
- Instale la guarnición de la grifería conforme a las instrucciones incluidas con la guarnición.

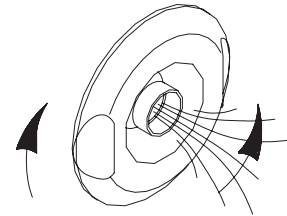
12. Limpieza después de la instalación

- Al limpiar después de la instalación, **no utilice productos de limpieza abrasivos**, pues pueden rayar y opacar la superficie de la bañera de hidromasaje. De ser necesario, utilice agua tibia y un detergente líquido para limpiar la superficie de la bañera de hidromasaje, el teclado y el control remoto.
- Limpie las manchas difíciles de quitar, la pintura y el alquitrán con aguarrás o diluyente de pintura. **No permita que los productos de limpieza que contengan destilados de petróleo permanezcan en contacto con la superficie de la bañera de hidromasaje por periodos prolongados.** El yeso se puede eliminar raspando con un canto de madera. No utilice raspadores de metal, cepillos de alambre ni otras herramientas metálicas. Se puede utilizar un detergente en polvo con un trapo húmedo para proporcionar una acción abrasiva suave en los residuos de yeso.



Teclado iluminado

Gire la guarnición del jet hacia la derecha para disminuir el flujo.



Gire la guarnición del jet hacia la izquierda para aumentar el flujo.

13. Confirme el funcionamiento correcto

Llene la bañera de hidromasaje

NOTA: Por favor, lea atentamente estos pasos antes de activar la bañera de hidromasaje.

- Coloque las boquillas de los jets de manera que miren hacia abajo en la bañera. Gire los anillos decorativos de los jets totalmente hacia la izquierda.
- **Llene la bañera de hidromasaje al menos 2" (5,1 cm) por encima del jet más alto.**

NOTA: La temperatura del agua en la bañera de hidromasaje no debe exceder de 104°F (40°C). El calentador se apagará automáticamente conforme la temperatura del agua alcance los 104°F (40°C) y permanecerá apagado hasta que el agua se enfríe.

14. Secuencia de funcionamiento

NOTA: El calentador integrado ayuda automáticamente a mantener la temperatura del agua mientras la bañera esté en marcha, siempre y cuando la temperatura no sobrepase los 104°F (40°C). El calentador se apagará a temperaturas superiores.

¡IMPORTANTE! Consulte la Guía del usuario para obtener las instrucciones detalladas del teclado y del control remoto opcional.

- Oprima el icono de encendido/apagado principal para encender la bañera de hidromasaje. La bañera de hidromasaje comenzará a funcionar con un flujo medio.
- En el teclado, oprima los botones de flecha hacia arriba o hacia abajo para aumentar o disminuir el flujo de agua. La barra indicadora en el centro del teclado muestra el caudal del flujo de agua.
- Ajuste cada jet para obtener una mezcla óptima de aire/agua. Gire la guarnición del jet hacia la derecha para reducir el flujo de aire, y hacia la izquierda para aumentarlo.
- Oprima el icono del calentador para apagarlo y volver a encenderlo. Cuando está iluminada, la luz indicadora muestra que la temperatura del agua se va a mantener hasta 104°F (40°C).
- Vuelva a oprimir el botón de encendido/apagado principal por segunda vez para apagar la bañera de hidromasaje.

NOTA: El temporizador integrado apaga automáticamente el motor y la bomba después de aproximadamente 20 minutos de funcionamiento.

15. Procedimientos para resolver problemas

Esta guía para resolver problemas está diseñada únicamente como ayuda general. Todos los problemas eléctricos deben ser resueltos por un representante de servicio autorizado de Kohler o un electricista calificado. Para obtener servicio cubierto por la garantía, póngase en contacto con el vendedor o el distribuidor mayorista.

Guía para resolver problemas del sistema de la bañera de hidromasaje

Síntomas	Causas probables	Acción recomendada
1. El teclado no se ilumina cuando se oprime el botón de encendido o se hace girar el anillo externo.	<p>A. El control no tiene alimentación eléctrica.</p> <p>B. El interruptor de circuitos GFCI o ELCB se ha disparado.</p> <p>C. El arnés de cables del teclado al control está suelto, desconectado o dañado.</p> <p>D. El teclado no funciona.</p> <p>E. El control no funciona.</p>	<p>A. Verifique el cableado y conecte el suministro eléctrico.</p> <p>B. Oprima el botón de restablecer la alimentación eléctrica del interruptor GFCI o ELCB.</p> <p>C. Revise que los cables estén correctamente conectados. Reemplace el arnés de cables de ser necesario.</p> <p>D. Reemplace el teclado.</p> <p>E. Reemplace el control.</p>
2. El motor se enciende, pero no todos los jets funcionan.	<p>A. El jet está cerrado.</p> <p>B. El jet no está instalado correctamente.</p> <p>C. Los jets están obstruidos.</p>	<p>A. Gire la guarnición del jet hacia la izquierda para abrirlo.</p> <p>B. Vuelva a instalar el jet; revise que el arosello (O-ring) no esté dañado.</p> <p>C. Elimine la obstrucción.</p>
3. El teclado está iluminado, pero no responde a los botones o anillo externo.	<p>A. El programa del control está bloqueado.</p> <p>B. El arnés de cables del teclado al control está suelto, desconectado o dañado.</p> <p>C. El teclado no funciona.</p> <p>D. El control no funciona.</p>	<p>A. Oprima el botón de restablecer la alimentación eléctrica del interruptor GFCI o ELCB.</p> <p>B. Revise que los cables estén correctamente conectados. Reemplace el arnés de cables de ser necesario.</p> <p>C. Reemplace el teclado.</p> <p>D. Reemplace el control.</p>
4. Al encender la unidad, la barra indicadora del teclado continúa en modo de búsqueda.	<p>A. El programa del control está bloqueado.</p> <p>B. El arnés de cables del teclado al control está suelto, desconectado o dañado.</p> <p>C. El teclado no funciona.</p> <p>D. El control no funciona.</p>	<p>A. Oprima el botón de restablecer la alimentación eléctrica del interruptor GFCI o ELCB.</p> <p>B. Revise que los cables estén correctamente conectados. Reemplace el arnés de cables de ser necesario.</p> <p>C. Reemplace el teclado.</p> <p>D. Reemplace el control.</p>
5. El teclado está iluminado pero la bomba no se enciende.	<p>A. El cable eléctrico de la bomba al control está suelto, desconectado o dañado.</p> <p>B. La bomba no funciona.</p> <p>C. El control no funciona.</p>	<p>A. Revise que los cables estén correctamente conectados.</p> <p>B. Reemplace la bomba.</p> <p>C. Reemplace el control.</p>
6. El motor funciona pero la bomba no hace el cebado (se produce cavitación).	<p>A. La bomba se ha acuñado demasiado.</p> <p>B. Pequeña fuga de aire en la entrada de la bomba.</p> <p>C. El motor/bomba no funciona.</p> <p>D. El control no funciona.</p>	<p>A. Baje la bomba/control al nivel del subpiso.</p> <p>B. Apriete firmemente la(s) tuerca(s) del lado de admisión de la bomba.</p> <p>C. Reemplace el motor/bomba.</p> <p>D. Reemplace el control.</p>

Procedimientos para resolver problemas (cont.)

Síntomas	Causas probables	Acción recomendada
7. La bomba se detiene antes de funcionar durante 18 minutos.	<p>A. El interruptor de circuitos GFCI o ELCB se ha disparado.</p> <p>B. La succión está obstruida.</p> <p>C. Los jets están obstruidos.</p> <p>D. El motor se ha sobrecalentado, activando el dispositivo de protección.</p>	<p>A. Identifique la causa de la falla y corrija. Oprima el botón de restablecer la alimentación eléctrica del interruptor GFCI o ELCB.</p> <p>B. Elimine la obstrucción.</p> <p>C. Elimine la obstrucción.</p> <p>D. Verifique que no haya obstrucciones en la succión y/o jets. Elimine la obstrucción y deje enfriar el motor.</p>
8. La bomba no se apaga automáticamente después de 22 minutos.	<p>A. El temporizador de 20 minutos se ha desactivado inadvertidamente.</p>	<p>A. Consulte el manual de mantenimiento.</p>
9. La bomba no se apaga cuando se oprime el botón de encendido/apagado en el teclado.	<p>A. El teclado no funciona.</p> <p>B. El control no funciona.</p>	<p>A. Reemplace el teclado.</p> <p>B. Reemplace el control.</p>
10. La bomba funciona pero la opción de velocidad variable no funciona.	<p>A. El motor/bomba no funciona.</p> <p>B. El control no funciona.</p>	<p>A. Reemplace el motor/bomba.</p> <p>B. Reemplace el control.</p>
11. El agua de la bañera se enfría mientras la bomba está funcionando.	<p>A. La temperatura del agua sobrepasa los 104°F (40°C).</p> <p>B. El botón del calentador está apagado en el teclado.</p> <p>C. El cable del calentador al control está suelto, desconectado o dañado.</p> <p>D. El calentador no funciona.</p> <p>E. El control no funciona.</p>	<p>A. Deje enfriar el agua de la bañera.</p> <p>B. Encienda el calentador.</p> <p>C. Revise que los cables estén correctamente conectados.</p> <p>D. Reemplace el calentador.</p> <p>E. Reemplace el control.</p>
12. Funcionamiento ruidoso.	<p>A. Las cintas metálicas de la bomba no se han cortado.</p> <p>B. El arosello (O-ring) del jet está mal colocado o seco (ruidoso).</p>	<p>A. Corte las cintas metálicas con unas tijeras para chapa.</p> <p>B. Extraiga el jet, reemplace y lubrique el arosello (O-ring); vuelva a instalar el jet.</p>
13. El control remoto (si está equipado) no funciona.	<p>A. Pilas mal instaladas o descargadas.</p> <p>B. La antena del arnés de cables está dañada.</p> <p>C. El control remoto no se ha programado correctamente.</p> <p>D. El control remoto no funciona.</p> <p>E. El control no funciona.</p>	<p>A. Reemplace las pilas.</p> <p>B. Reemplace el arnés de cables.</p> <p>C. Consulte la guía del usuario o el manual de mantenimiento.</p> <p>D. Reemplace el control remoto.</p> <p>E. Reemplace el control.</p>

USA: 1-800-4-KOHLER
Canada: 1-800-964-5590
México: 001-877-680-1310

kohler.com

THE BOLD LOOK
OF **KOHLER**®

©2007 Kohler Co.

1019484-2-F