

Installation Guide

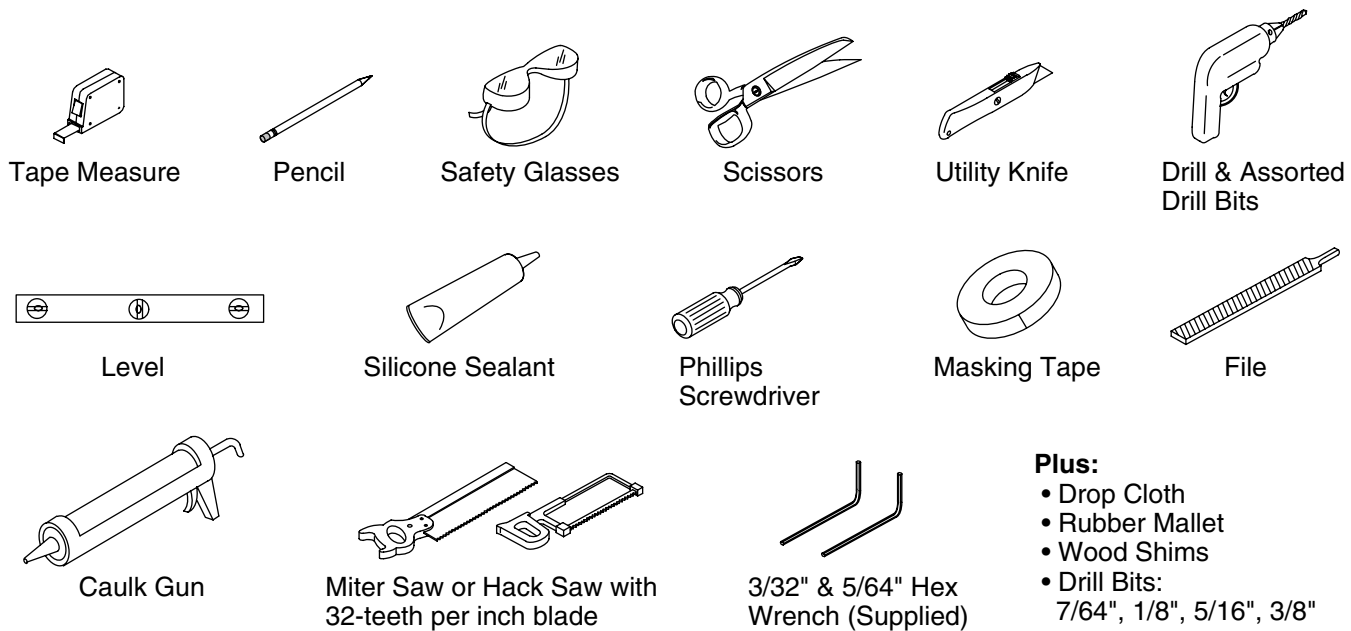
Framed Shower Door with Transom

K-705800, K-705802, K-705804,
K-705806, K-705808, K-705810,
K-705812, K-705814, K-705816,
K-705818, K-705820, K-705822,
K-705824, K-705826

M product numbers are for Mexico (i.e. K-12345**M**)
Los números de productos seguidos de **M** corresponden a México
(Ej. K-12345**M**)
Français, page "Français-1"
Español, página "Español-1"

THE BOLD LOOK
OF **KOHLER**®

Tools and Materials



Before You Begin



CAUTION: Risk of personal injury. Always wear safety glasses while cutting or drilling.

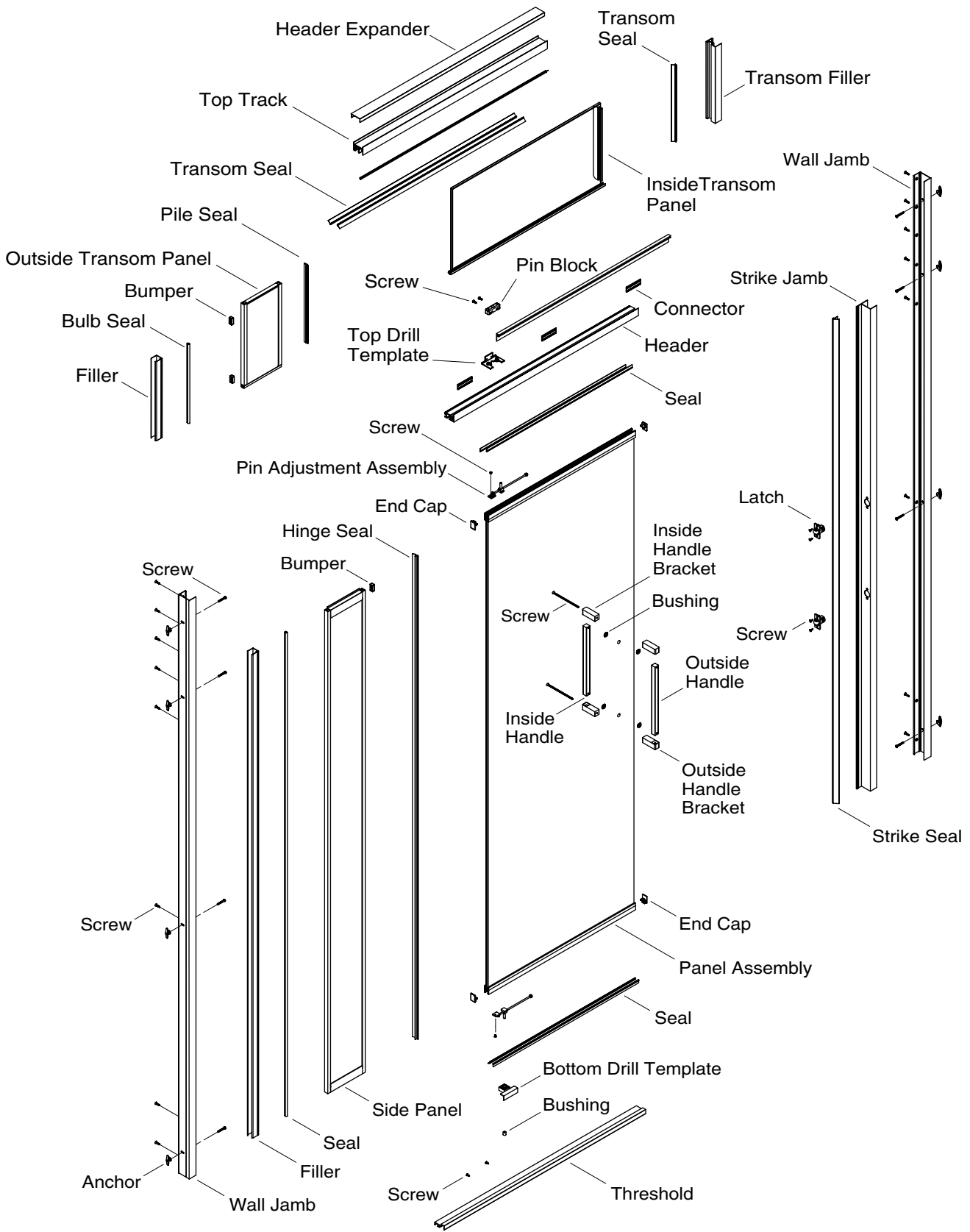
CAUTION: Risk of injury or product damage. Do not attempt to cut tempered glass. Tempered glass shatters when it is cut.

NOTICE: Do not touch the edge of the tempered glass panel with tools or any hard objects. Do not set the unframed tempered glass edge directly on the floor. This will reduce the risk of shattering.

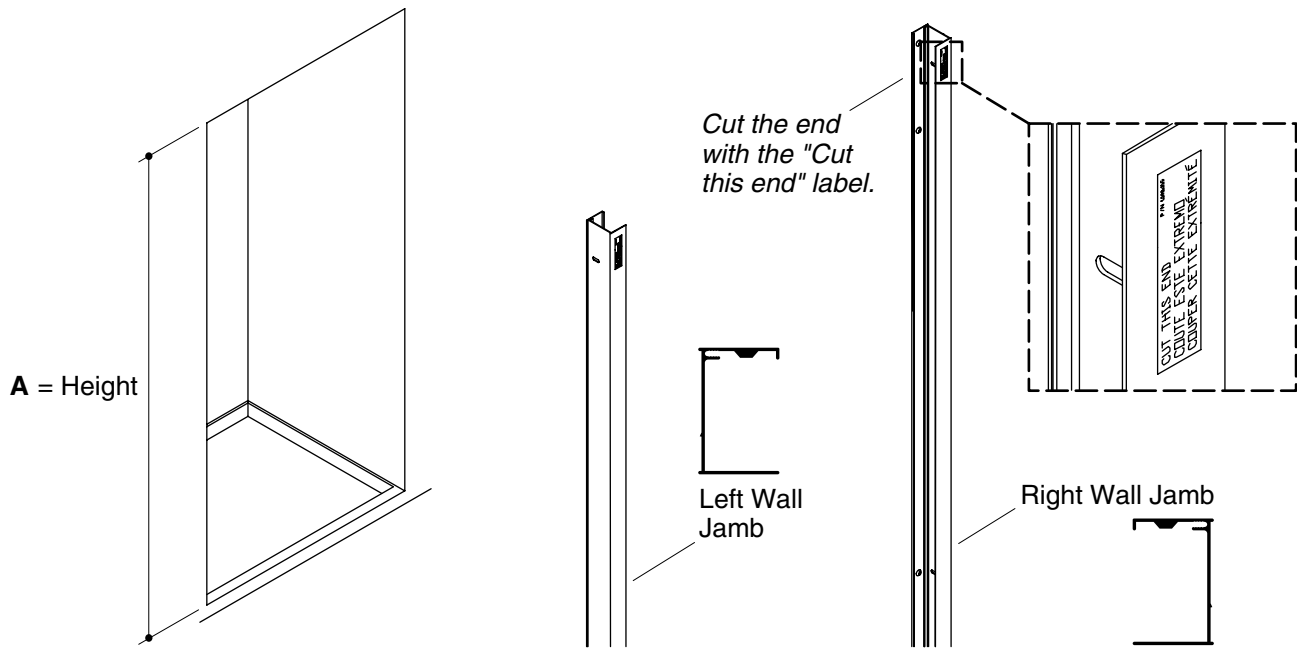
NOTE: Record the model number on the Homeowners Guide. The proper model number will enable our customer service representatives to quickly help you if needed.

IMPORTANT! This door is designed to accommodate walls that are less than 3/8" (1 cm) out of plumb. Verify the area the door will be attached to is within 3/8" (1 cm) or better of plumb. The door may not function properly if the wall is more than 3/8" (1 cm) out of plumb.

- Your new Kohler door can be installed with the door opening to either the right or left. Install the door with the pivot side away from the showerhead for best results. These instructions show the door installed with a left hinge. Doors that hinge on the right would be opposite.
- Before starting the installation, lay out and identify all of the parts. Inspect them for damage.
- The shower receptor should be installed and prepared at this time, including finished wall materials.
- Place a drop cloth in the bottom of your shower to cover your drain and ease clean-up.
- Closely follow the instructions pertaining to the sealant application on the door. Sealing areas other than those shown may cause leaking.
- Two people should perform this installation.
- Kohler Co. reserves the right to make revisions to the design of products without notice, as specified in the Price Book.



Parts Identification



1. Determine the Door Configuration

IMPORTANT! Depending on which pivot configuration is chosen (left or right) your assembly instructions will vary. For purposes of these instructions, a “left hinge” installation is shown.

- Determine whether the door will pivot on the right or left side.

NOTE: The door will hinge on the same side as the side panel.

- Make sure the door can swing freely in the chosen configuration.
- The height of your installation opening “A” must be between 89” (226.1 cm) and 89-1/2” (227.3 cm).

2. Measure and Cut the Wall Jamb

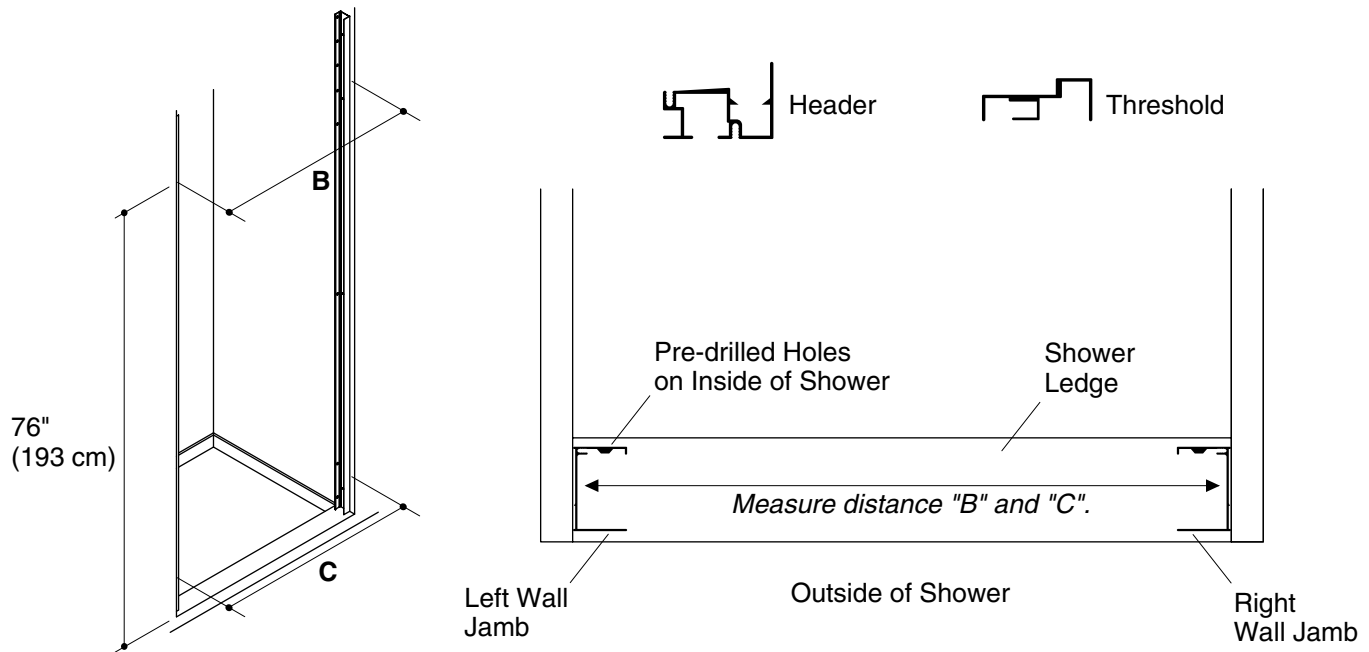


CAUTION: Risk of personal injury. Always wear safety glasses while cutting.

IMPORTANT! The wall jambs must sit flush against the sidewalls and shower ledge. If your shower has curved corners where the sidewalls meet the ledge, it may be necessary to shape the bottom ends of the wall jambs with a file.

NOTE: A label marks the top of each wall jamb. Do not remove the labels until the wall jambs are installed.

- Carefully measure the height “A” of the finished opening. Refer to the roughing-in sheet to confirm that the door will fit in the finished opening.
- Cut the wall jambs to this measurement. Make sure to cut the end labeled “Cut this end”. For best results, use a 32-teeth per inch hacksaw blade and a miter box.

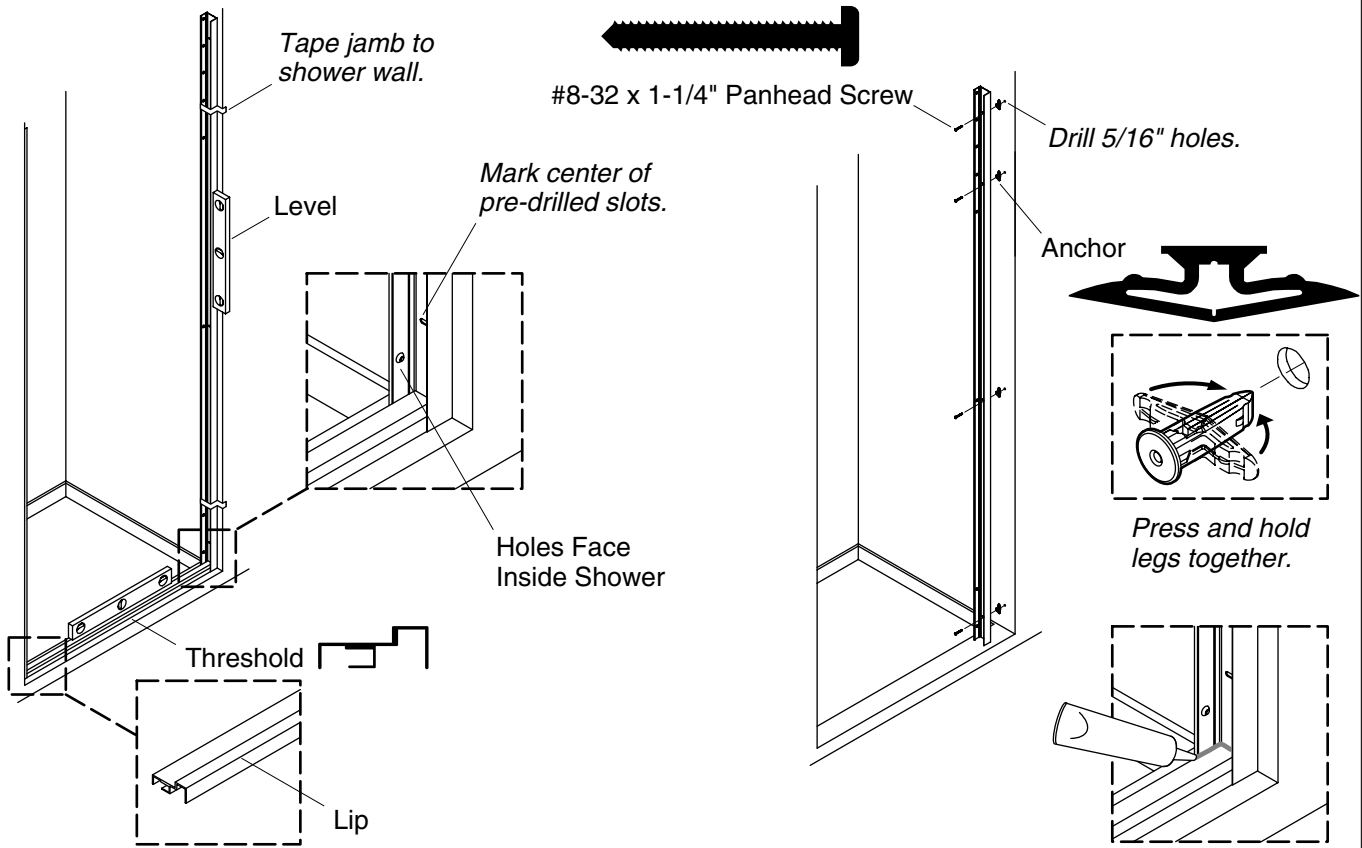


3. Measure and Cut the Header and Threshold



CAUTION: Risk of personal injury. Always wear safety glasses while cutting.

- Temporarily secure the wall jambs to the side walls of the finished opening with masking tape. Orient the wall jambs so the screw holes face the inside of the shower and the "Top" label is at the top.
- Carefully measure the distance (B) between the top of the wall jambs, 76" (193 cm) above the shower ledge. Mark this distance on the header.
- Carefully measure the distance (C) between the bottom of the wall jambs. Mark this distance on the threshold.
- Cut along the inside of the marked line to cut the header and threshold to length.
- Use a file to remove any burrs where the cuts were made.

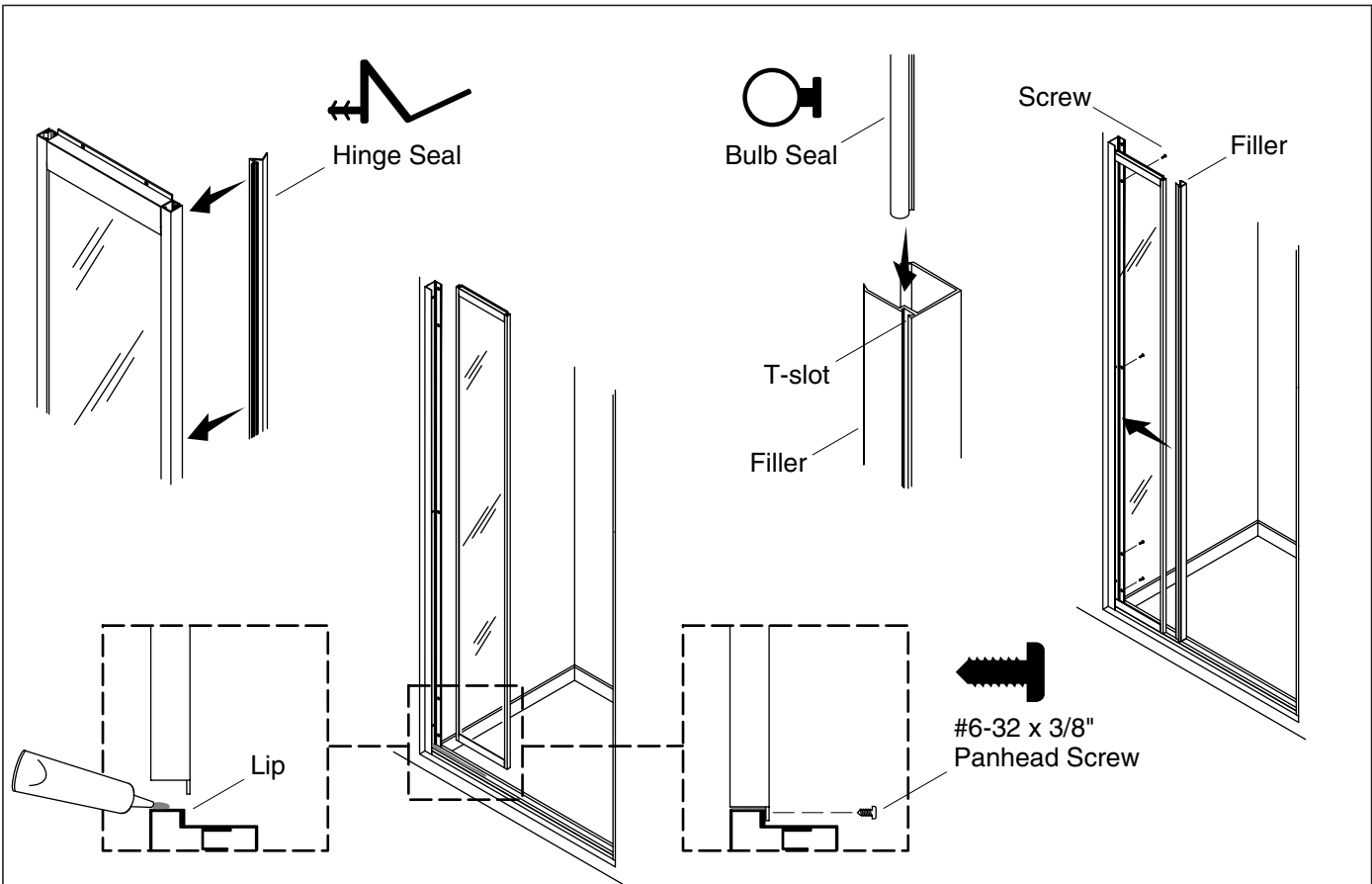


4. Install the Wall Jambs and Threshold

- Insert the ends of the threshold between the wall jambs with the lip toward the outside of the shower.
- Verify the threshold sits flat on the shower ledge. Adjust the wall jambs and threshold as needed to ensure the threshold runs parallel along the shower ledge.
- Plumb both wall jambs using a level.
- Using a pencil, mark the position of the bottom of both wall jambs on the shower ledge and on the wall near the top of the wall jambs.
- Mark the centers of the four wall jamb slots on the shower wall.
- Remove the wall jambs and threshold.
- Drill 5/16" holes at the marked locations.
- Thoroughly clean the shower ledge.
- Insert wall anchors into the drilled holes.

IMPORTANT! If the ledge of your shower receptor is not flat, you will need to shim the threshold so it is installed flat and level.

- Using the marks as reference, reposition the threshold and wall jambs in the shower opening.
- Secure the wall jambs to the shower wall using #8 x 1-1/4" panhead screws.
- Verify the wall jambs are plumb. Make adjustments as needed.
- Apply silicone sealant at the intersection where each wall jamb meets the threshold.
- Remove the labels from the wall jambs.



5. Install the Side Panel

Install the Side Panel

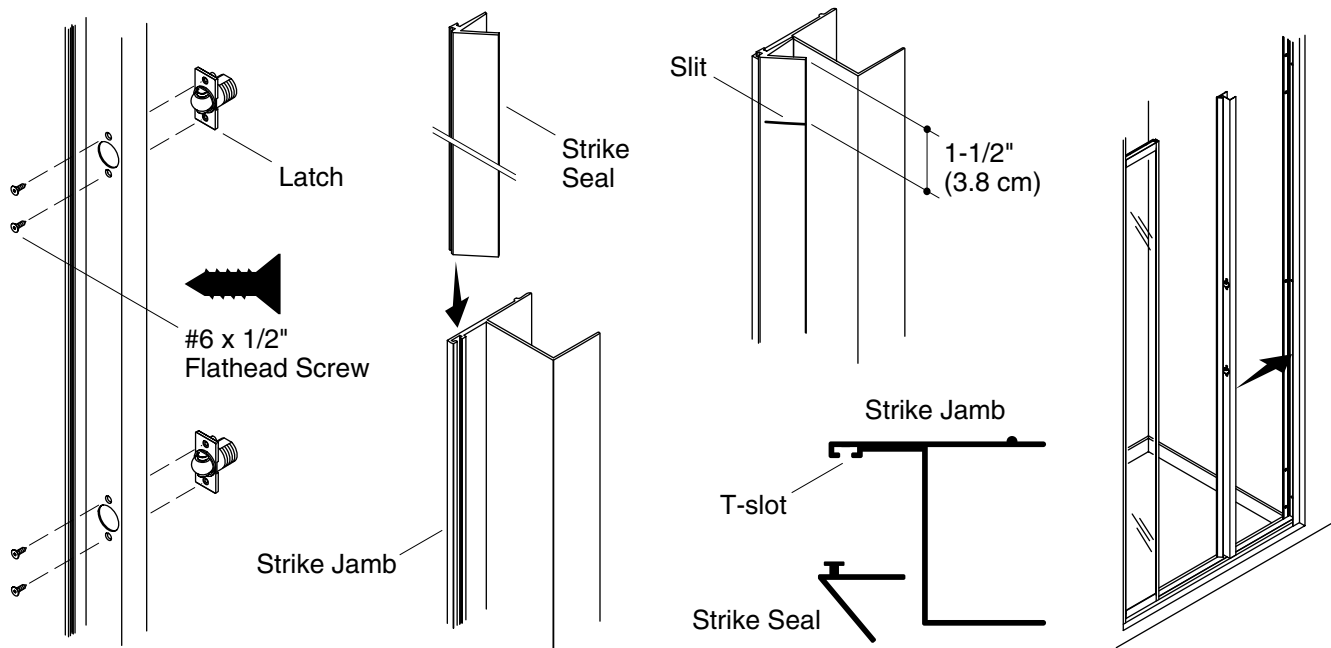
- Measure the width of the side panel.
- From the wall jamb where the side panel will be installed, mark the measured width on the threshold.
- Apply a bead of silicone sealant along the top of the threshold from the wall jamb to the marked location.
- Orient the side panel with the label toward the wall jamb and the bottom lip toward the inside of the shower.
- Place the side panel onto the threshold and slide it flush against the wall jamb.
- Verify the side panel sits flush on the threshold.
- Using a 7/64" drill bit, drill a hole into the threshold through each of the 2 predrilled holes in the lip of the side panel.
- Secure the side panel to the threshold using two #6-32 x 3/8" panhead screws.

Install the Side Panel Filler

- Slide the bulb seal into the T-slot groove on the filler.
- Use scissors or a utility knife to cut any excess bulb seal away so the seal is flush with the top of the filler.
- From inside the shower, insert the filler between the wall jamb side panel with the bulb seal and flat surface of the filler toward the side panel.
- Using the pre-drilled holes in the wall jamb, drill 1/8" holes into the filler.

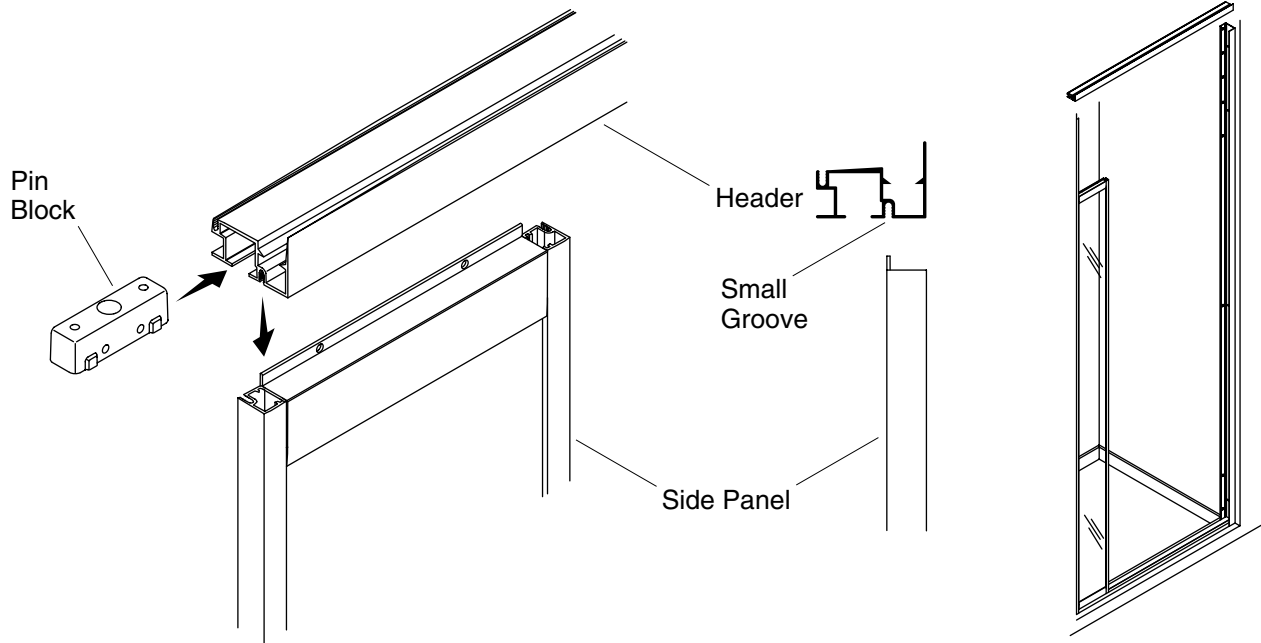
Install the Side Panel (cont.)

- Using a 3/32" hex wrench, secure the filler to the wall jamb with four #8 x 3/4" flathead screws.
- Press the hinge seal into the channel on the inside of the side panel frame.
- Trim the flap of the hinge seal 1-1/4" (3.2 cm) at each end. This will allow the door to fully close.



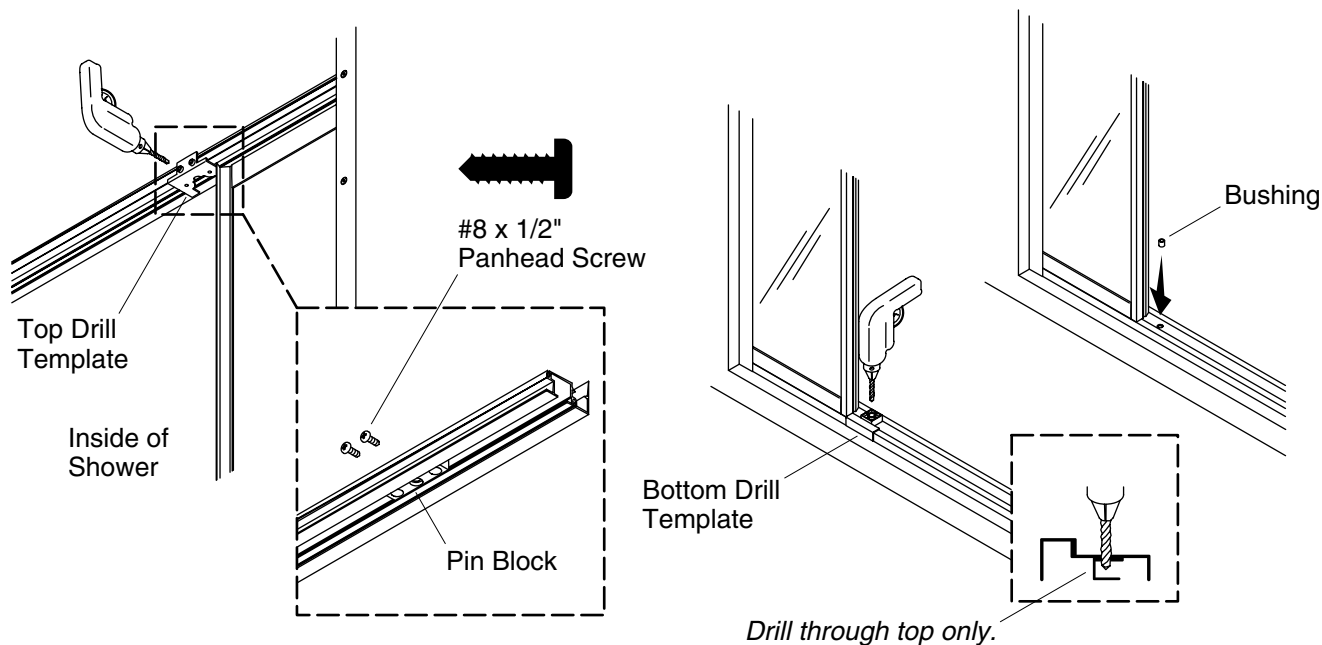
6. Install the Strike Jamb

- Position the latch in the strike jamb.
- Using the 5/64" hex wrench provided, secure the latch in place using two #6 x 1/2" flathead screws.
- Repeat for the second latch.
- Carefully slide the seal into the T-slot on the strike jamb. Do not trim the seal.
- Cut a horizontal slit in the flap of the seal 1-1/2" (3.8 cm) from each end.
- Insert the strike jamb into the wall jamb as shown. Temporarily secure it in place using masking tape.



7. Locate the Header

- Slide the pin block into the header.
- Place the header between the wall jambs with the lip oriented up and towards the outside of the shower.
- Set the header in place on top of the side panel and strike jamb. Verify the lip of the side panel frame is engaged in the small groove of the header.



8. Install the Pin Block and Bushing

Secure the Pin Block

- Insert the top drill template into the pin block.
- Slide the template with the pin block flush against the side panel.

IMPORTANT! Use the side holes of the top drill template for this installation. Do not drill through the bottom holes of the template.

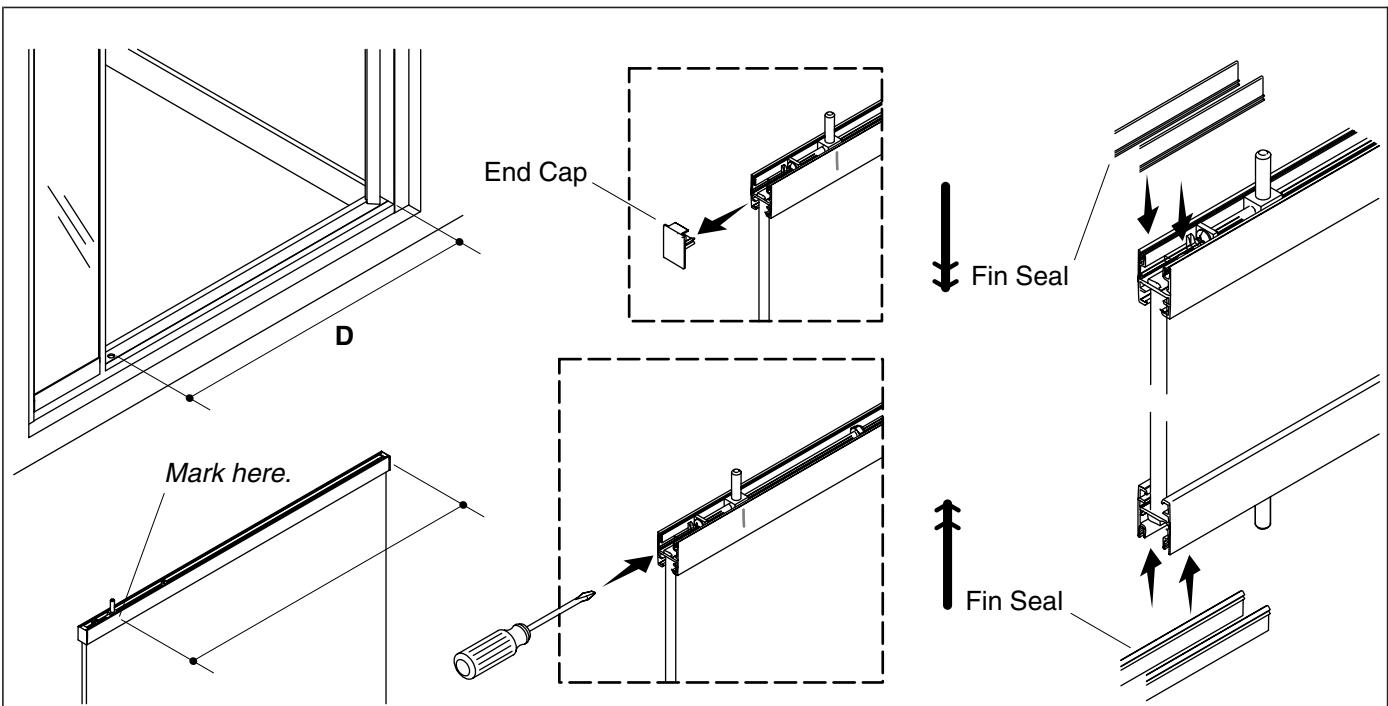
- From inside the shower, hold the top drill template and pin block in place. Using one of the side hole guides, drill a 1/8" hole into the header.
- Remove the template and secure the pin block to the header with a #8 x 1/2" pan head screw.
- Reposition the top drill template into the pin block and drill the second 1/8" hole into the side of the header.
- Remove the template and secure the pin block to the header with a #8 x 1/2" pan head screw.

Install the Bushing

- Place the bottom drill template over the threshold and flush against the side panel.

IMPORTANT! Drill only into the top surface of the threshold. Do not drill through the bottom of the threshold.

- Hold the template in place and drill a 3/8" hole into the top of the threshold.
- Use a rubber mallet to tap the metal bushing into the drilled hole.



9. Assemble the Door

NOTE: Leave a small gap at the handle side of the door for clearance from the strike jamb. The door will not close properly without this gap.



CAUTION: Risk of injury or product damage. Unframed tempered glass should not contact hard surfaces or it may shatter. Do not touch the edge of the tempered glass panel with tools or any hard objects. Do not set the unframed tempered glass directly on the floor.

Set the Location Pins on the Door Panel

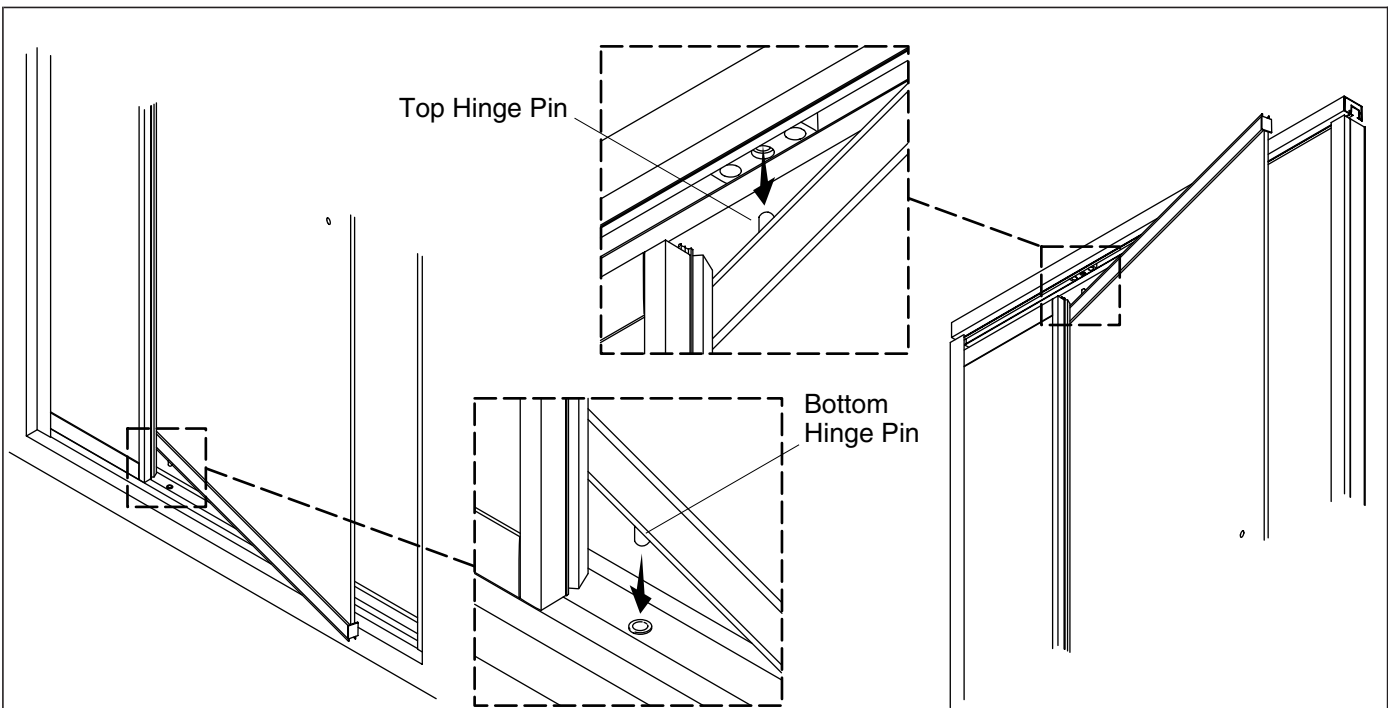
- Measure the distance "D" between the strike jamb and the edge of the bushing in the threshold.
- Measuring from the edge of the glass with holes in it, mark the distance "D" on the top and bottom frames of the door panel.

IMPORTANT! Risk of product damage. Do not pry off the end caps against the glass edge. Touching the edge of the tempered glass panel with tools or hard objects will increase the risk of shattering. A wood shim and rubber mallet can be used to carefully tap the caps off.

- Remove the pre-assembled end caps from the pin side of the top and bottom door panel frames to gain access to the pin adjusters. **Set the end caps aside.**
- Using a Phillips screwdriver, turn the top pin adjuster to move the pin to the mark on the frame. Turn the screw clockwise to move the pin closer to the edge of glass.
- Repeat for bottom pin adjuster. Do not reinstall the end caps at this time.

Install Seals to the Door Panel

- Press a fin seal in each of the two channels on the top frame and bottom frame of the door panel.
- Ensure each seal is fully inserted into the channels along the entire length of the frame. When fully engaged, the exposed portion of the seal will be 1/4" (6 mm) or less.
- If needed, trim the excess seal to the same length as the top and bottom frames.



10. Install the Door

IMPORTANT! This steps requires two installers.

- With the "CleanCoat" sticker towards the outside of the shower, lift the door panel and guide the bottom pin of the door into the bushing in the threshold.
- Lift the header and position the top pin of the door into the bushing in the pin block.
- Press the header down into place, make sure side panel frame is fully engaged in the header.

Installer #1

- Lift the door into a position so that the bottom hinge pin is above the bushing in the threshold.
- **Carefully** lower the door so the hinge pin fits into the bottom bushing. Hold the door in place while installer #2 aligns the top hinge pin.

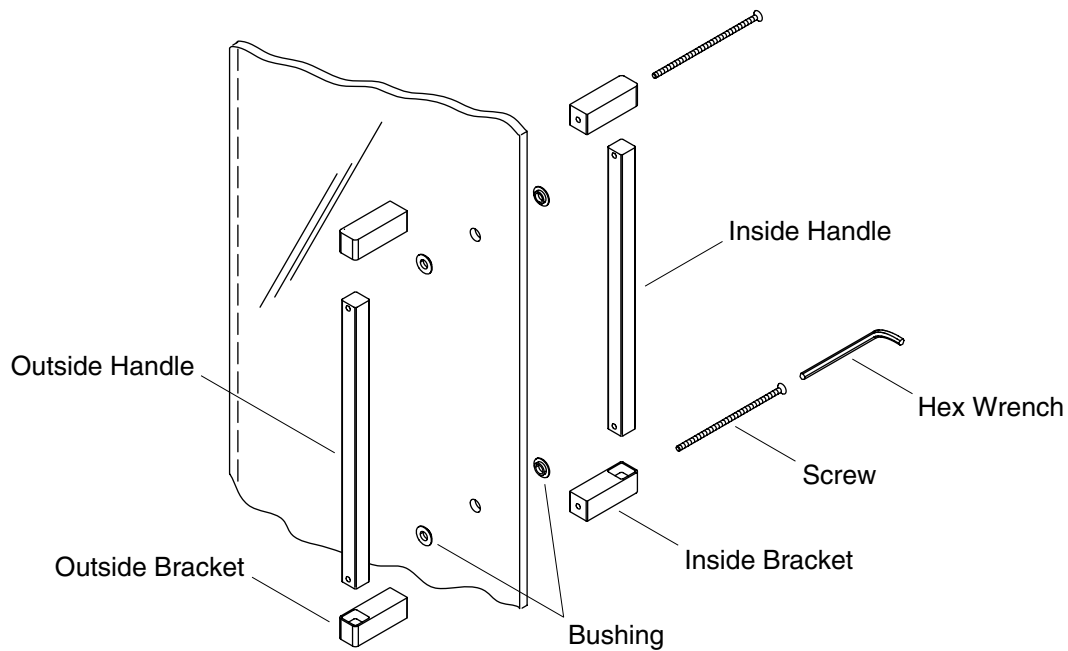
Installer #2

- Lift the header and position the door so the top hinge pin aligns with the bushing in the pin block attached to the header.
- Press the header down into place. Verify the lip of the side panel frame is engaged in the small groove of the header.

NOTE: The door may require adjustment; do not make final adjustments until the header and handle are installed.

Secure the Header

- From inside the shower, verify the lip of the side panel frame is engaged in the small groove of the header.
- Using the pre-drilled holes in the wall jambs as guides, drill a 1/8" hole into the header.
- Secure the header in place using two #8 x 3/4" flathead screws.

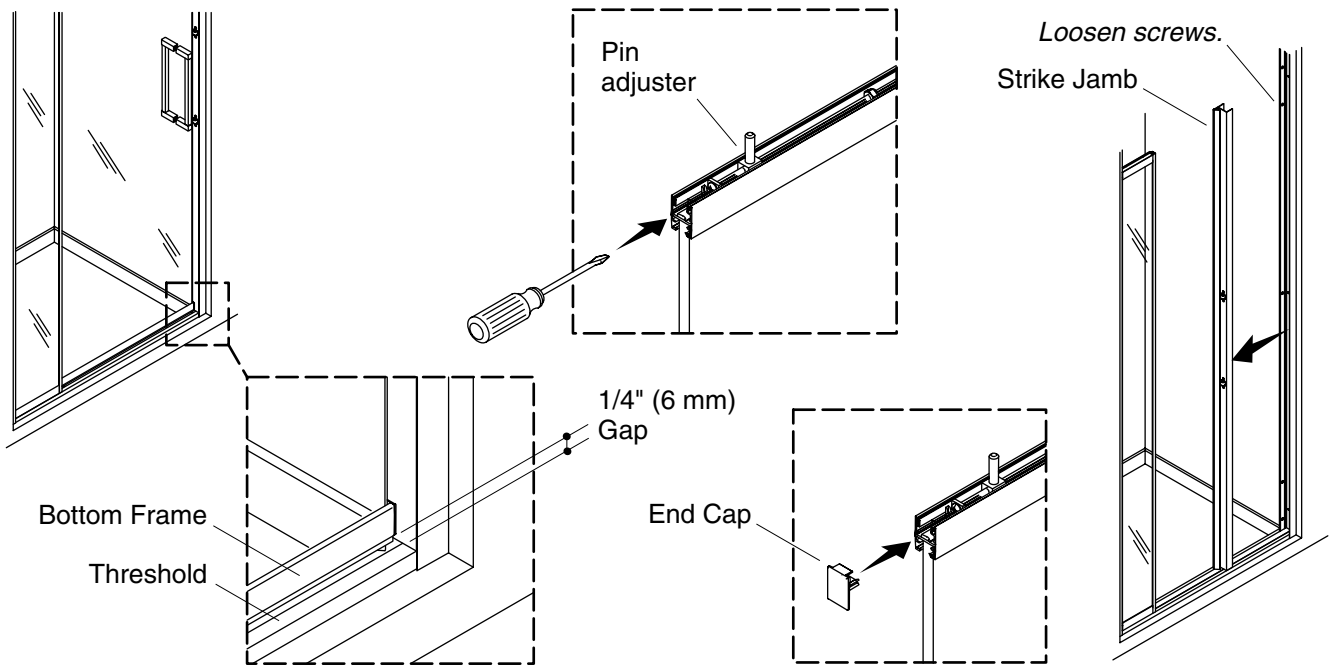


11. Install the Handles

- Identify the inside handle and brackets – with non-threaded holes. Assemble the inside brackets and handle with 2 #8 x 4-1/2" flathead screws as shown.
- Place a bushing onto each screw as shown.
- Position the inside handle assembly onto the door panel by carefully inserting the two screws through the holes in the glass.
- Place a second bushing onto each screw and into the glass holes.
- Assemble the outside brackets and handle as shown and attach to the inside handle by hand-tightening the screws.

NOTICE: Do not overtighten. Overtightening can cause damage to the door panel.

- Using the 3/32" hex wrench provided, tighten the screws to secure the handle in place.



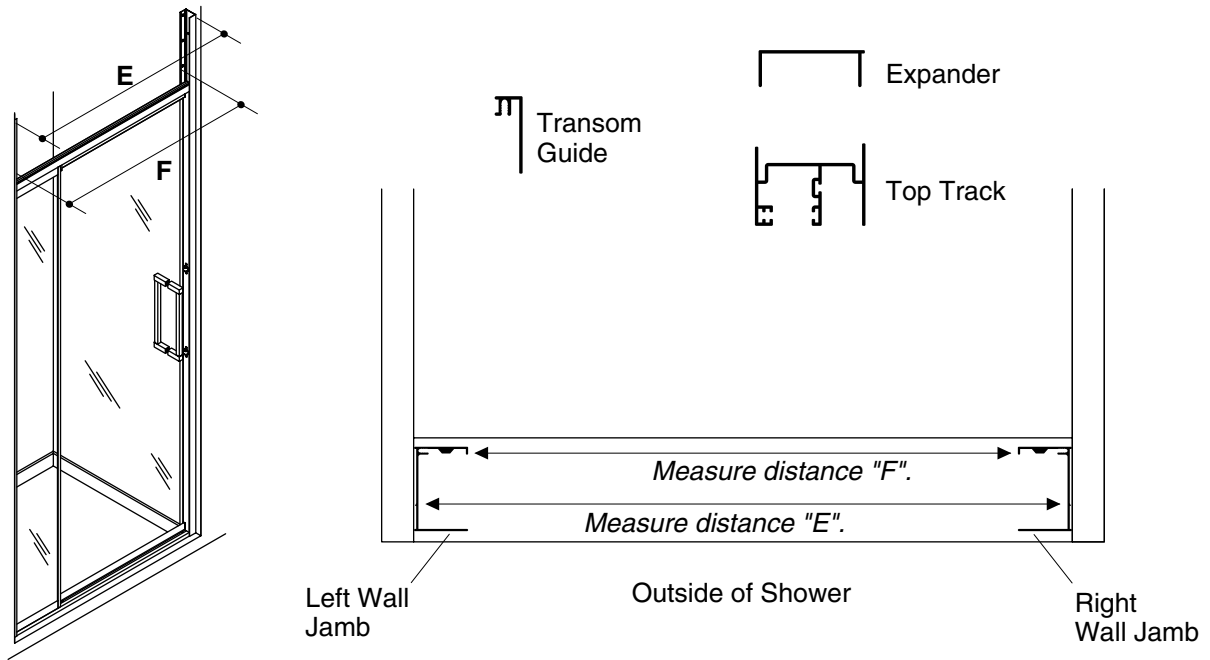
12. Adjust and Secure the Door

To Adjust the Door Panel

- Open the door to access the pin adjusters located in the top and bottom frames on the pivot side of the glass panel.
- Using a Phillips screwdriver, turn the top pin adjuster to move the pin to the mark on the frame. Turn the screw clockwise to move the pin closer to the edge of glass.
- Adjust the door so there is at least a 1/4" (6 mm) gap between the bottom frame and the top of the threshold.
- The door should be aligned evenly along the strike jamb and should open smoothly without the end caps hitting the strike jamb. If the end caps hit the strike jamb, the door or strike jamb will need further adjustment.
- Make sure the door panel compresses the strike seal along the full length of the door. If there is a gap at the top or bottom, the wall jamb will need to be adjusted.
- If the wall jamb needs adjusting, remove the strike jamb and loosen the screws holding the wall jamb in place (do not remove). Shift the wall jamb as needed and secure the screws.
- Check the opening and closing of the door to make sure the glass edges contact the latches.
- Reinstall the end caps on the top and bottom door panel frames by lightly tapping them in place using a rubber mallet.
- If the end caps are loose when reinstalled; remove, apply silicone sealant, and reinstall.

To Secure the Strike Jamb

- From inside the shower, use the pre-drilled holes in the wall jamb as a guide to drill 1/8" holes into the strike jamb.
- Secure the strike jamb in place using four #8 x 3/4" flathead screws. Do not overtighten.



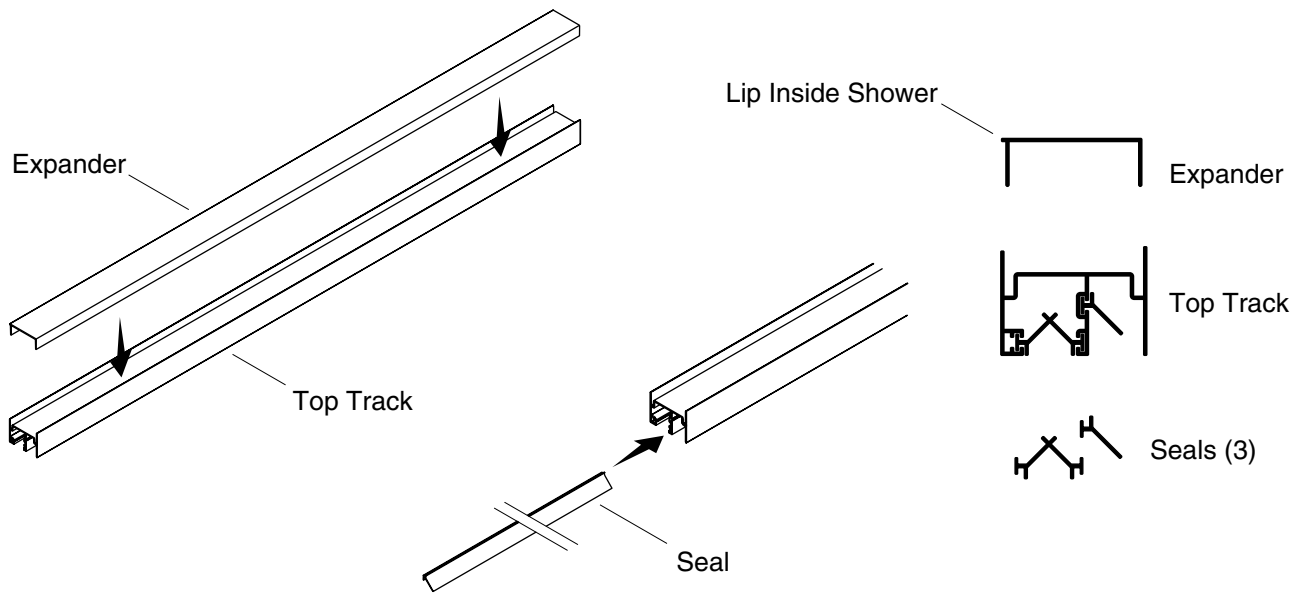
13. Cut Top Track and Expander

Top Track and Expander

- Measure distance "E" as shown at the top of the wall jambs.
- Subtract 1/8" (3 mm) from dimension "E."
- Transfer this measurement onto the top track and expander.
- Cut the top track and expander along the marked line.

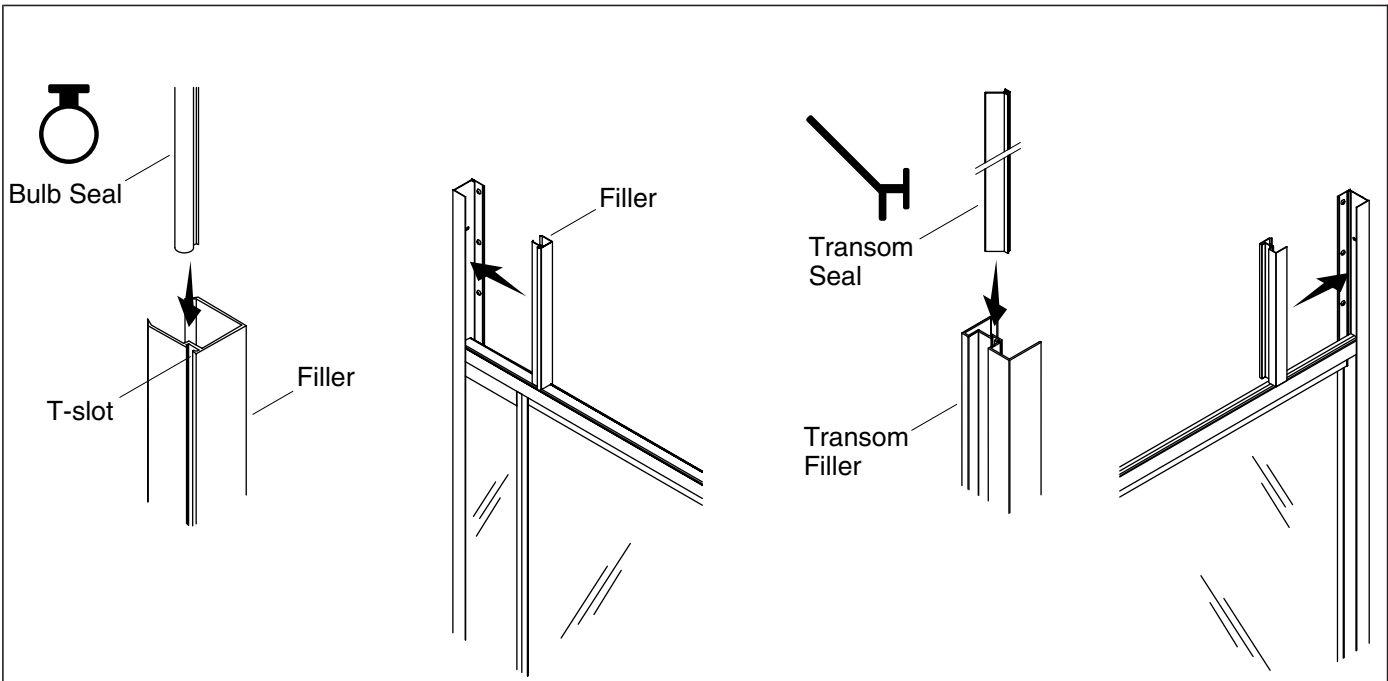
Transom Guide

- Measure distance "F," above the header, between the wall jambs.
- Transfer this measurement onto the transom guide.
- Cut the transom guide along the inside of the marked line.



14. Install the Top Track and Expander

- Cut the three transom seals to the same length as the top track.
- Slide the transom seals into the T-slots of the top track as shown.
- Insert the expander into the top track with the lip on the same side as the 2-seal channel of the top track.
- Orient the top track assembly with the lip and two seals toward the inside of the shower.
- Insert the top track assembly between the wall jambs by tilting the assembly and sliding the ends into the wall jambs.
- Push the top track assembly up to the ceiling and temporarily tape into place.



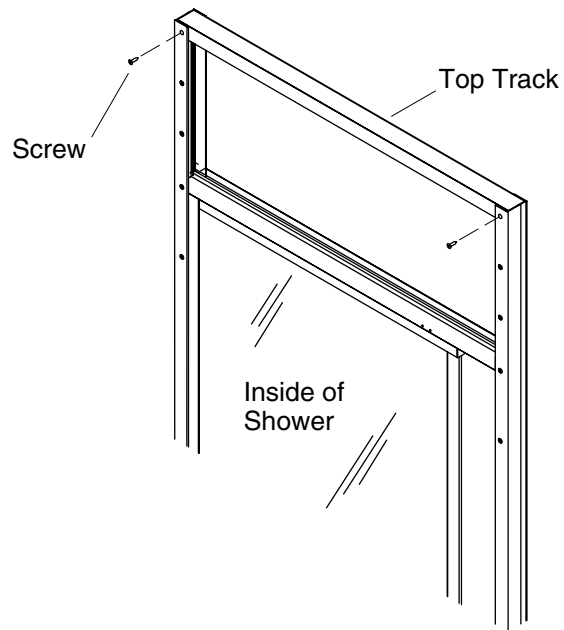
15. Install the Transom Fillers

Side Panel Side Transom Filler

- Cut the bulb seal to 12" (30.5 cm) in length.
- Slide the bulb seal into the T-slot in the filler.
- Place the filler into the wall jamb above the side panel with flat surface of the filler facing out and the bulb seal toward the outside of the shower. Do not secure at this time.

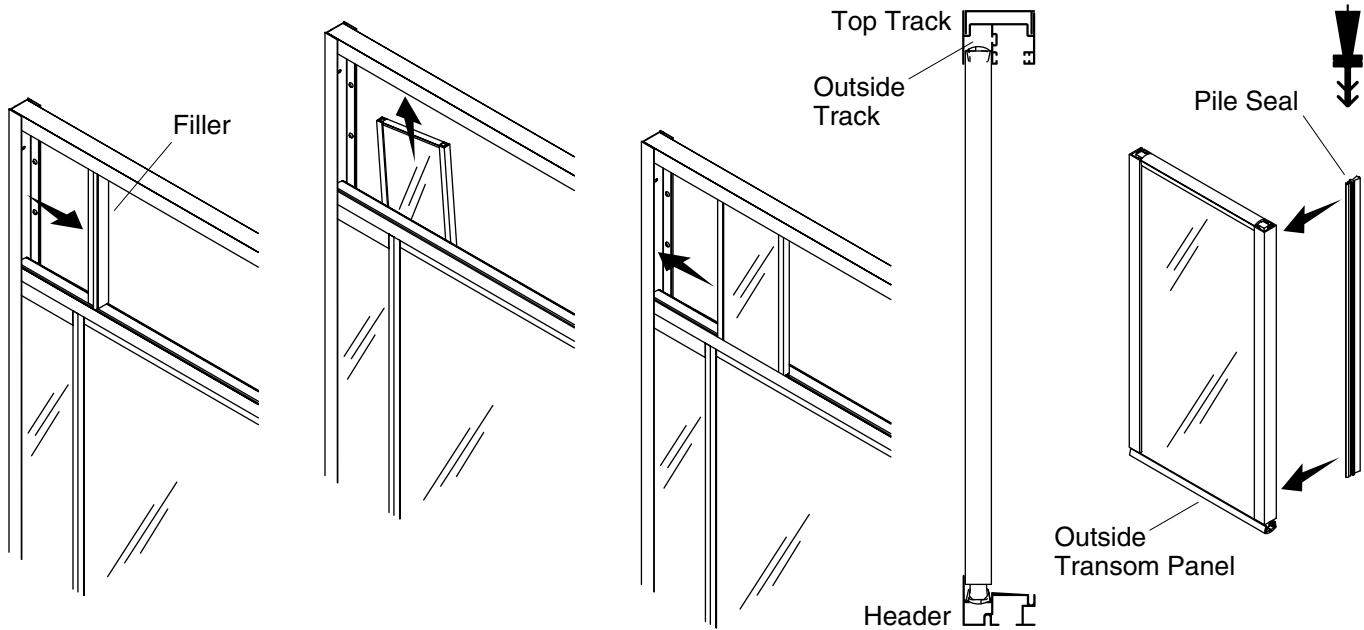
Strike Side Transom Filler

- Cut the transom seal to 12" (30.5 cm) in length.
- Slide the transom seal into the T-slot in the transom filler.
- Install the filler into the wall jamb above the strike jamb with the transom seal toward the inside of the shower.
- Using the pre-drilled holes in the wall jamb as a guide, drill 1/8" holes into the transom filler.
- Secure the transom filler to the wall jamb with two #8 x 3/4" flathead screws.



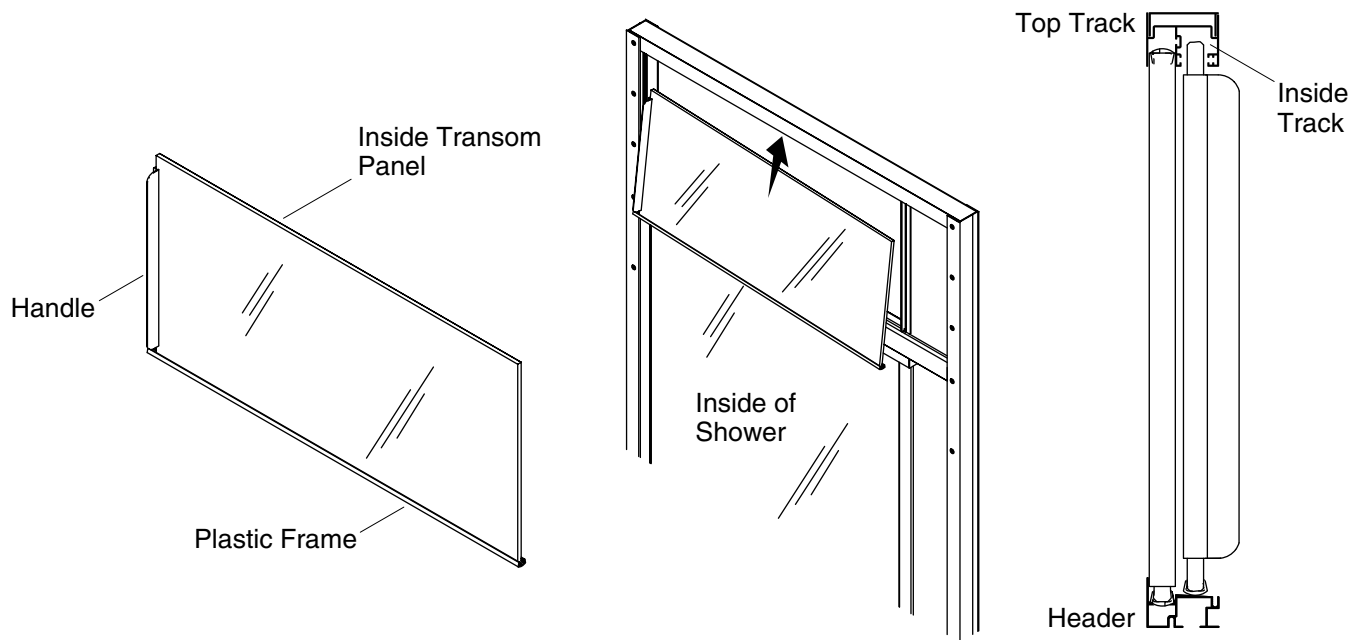
16. Secure the Top Track

- Remove the tape from the top track assembly.
- Lower the top assembly to rest on the top of both fillers.
- Using the pre-drilled holes in the wall jamb as a guide, drill 1/8" holes into the top track.
- Secure the top track with two #8 x 3/4" flathead screws.



17. Install the Outside Transom Panel

- Remove the filler above the side panel.
- Identify the top of the outside transom panel - the two metal side frames are flush with the plastic frame.
- From inside the shower, lift and tilt the outside transom panel up into the outside track of the top track.
- Tilt the bottom of the panel towards the header until it sits in the track on the top of the header.
- Slide the panel towards the wall jamb and align the side frame with the frame on the side panel.
- Reinstall the filler between the wall jamb and the panel with the bulb seal toward the panel.
- Using the pre-drilled holes in the wall jamb, drill 1/8" holes into the filler.
- Using a 3/32" hex wrench, secure the filler to the wall jamb with two #8 x 3/4" flathead screws.
- Press the pile seal into the channel on the inside of the transom panel frame.



18. Install the Inside Transom Panel

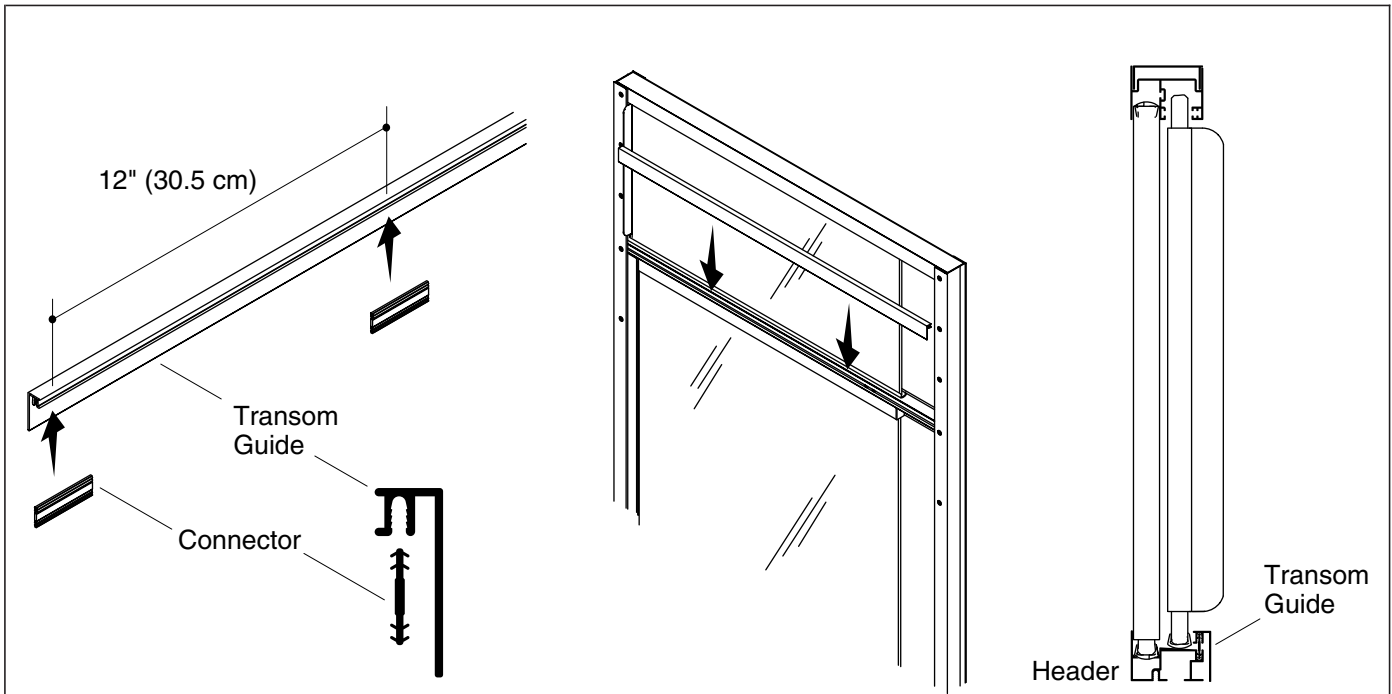
IMPORTANT! The plastic transom frame will come pre-installed to the inside transom panel. When the panel is installed, the handle will be oriented on the strike side of the door toward the inside of the shower and the plastic frame should be on the bottom. The plastic frame may be removed and reinstalled to the opposite side of the panel if needed.

- From inside the shower, lift the inside transom panel up into the inside track of the top track.
- Tilt the bottom of the panel towards the header until it sits on the top of the header.



CAUTION: Risk of injury or product damage. The panel will not be safely in place at this time. Hold the panel with two hands until it is temporarily in place inside the transom filler.

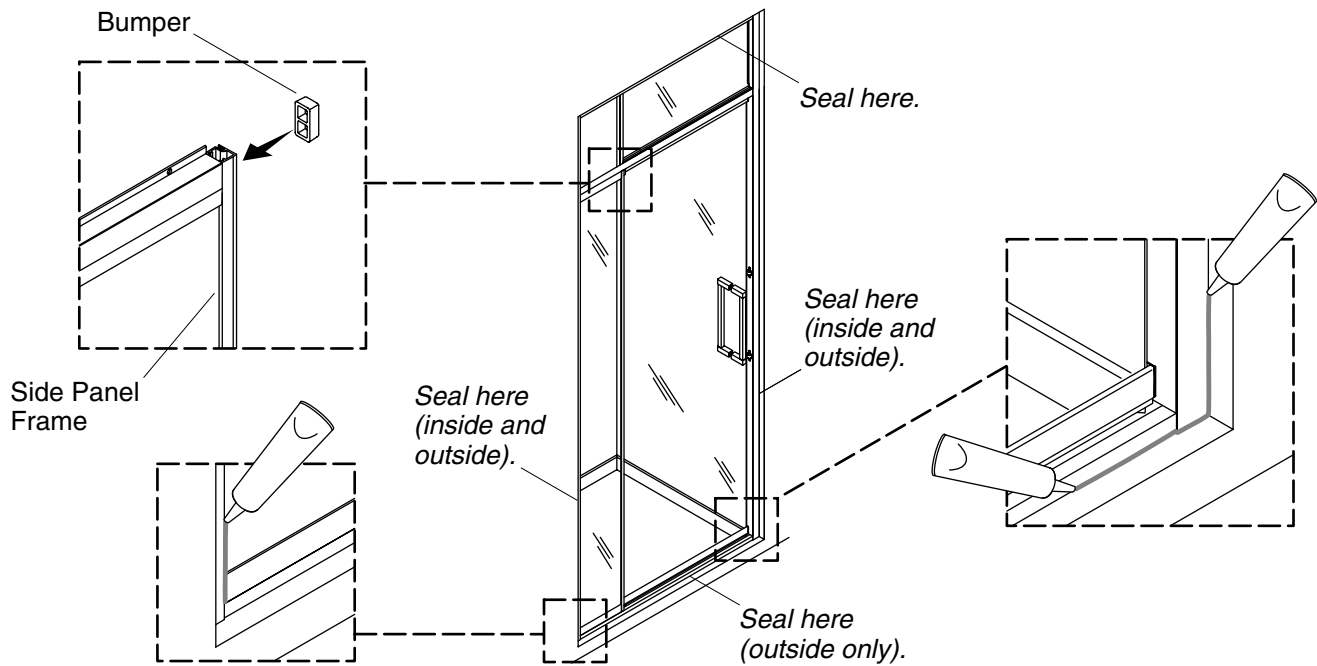
- Slide the panel into the transom filler on the strike side of the door.



19. Install the Transom Guide

- Press connectors into the channel in the transom guide. Position one connector on each end of the transom guide, then every 12" (30.5 cm) along the length of the guide.
- Press the transom assembly into the groove in the header.

NOTE: There will be a slight gap between the transom guide and the header.



20. Complete the Installation

Attach the Bumpers and Kohler Logo

- Install one bumper on the edge of the side panel frame as shown.
- Install two bumpers on the filler in the transom.
- If applicable, install the KOHLER logo on the center of the threshold (not shown).

Apply Sealant

IMPORTANT! Carefully follow the silicone sealant manufacturer's instructions for application and curing time.

NOTE: Thoroughly clean and dry all surfaces where silicone sealant will be applied.

- Use masking tape to protect areas adjacent to those where the sealant is being applied.
- Apply a bead of silicone sealant to the outside and inside of the vertical joints where wall jambs meet the wall.
- Apply a bead of sealant to the outside of the vertical joint between the wall jamb and side panel as shown.
- Apply a bead of silicone sealant to the dry side of the threshold where it meets the shower ledge. Do not apply sealant to the wet side of the threshold.
- Apply a bead of sealant where the header expander meets the ceiling to create a steam barrier.

Troubleshooting

This troubleshooting guide is for general aid only. For service and installation issues or concerns, call 1-800-4-KOHLER.

Troubleshooting Table

Symptoms	Recommended Action
Water Leaks	
1. Water leaks under the side panel.	A. From the outside the shower, apply silicone to the joint where the side panel meets the threshold.

Troubleshooting (cont.)

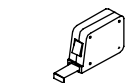
Troubleshooting Table

Symptoms	Recommended Action
2. Water leaks at intersection of side panel and wall jamb.	A. From the outside the shower, apply silicone to the joint where the side panel frame meets the wall jamb.
3. Water leaks under the door.	A. Verify all seals are in place. Refer to the "Assemble the Door" section.
	B. Adjust the door to decrease the gap between the threshold and the bottom of the door. Refer to the "Adjust and Secure the Door" section.
4. Water leaks between the door and side panel.	A. Contact the Customer Care Center to order service seal. Press the seal onto the edge of the door panel.
5. Water leaks by the strike jamb.	A. Adjust the door to decrease the gap between the door and the strike jamb. Refer to the "Adjust and Secure the Door" section.
	B. Adjust the wall jambs so the door contacts with the strike seal. Refer to the "Adjust and Secure the Door" section.
Steam Leaks	
NOTE: This product is designed to allow some steam to escape to allow for proper air movement.	
1. Steam leaks around the wall jambs/above the top track.	A. Allow the leak area to dry to completely. Apply silicone at all leak points.
2. Steam leaks around strike jamb.	A. Adjust the door to decrease the gap between the door and the strike jamb. Refer to the "Adjust and Secure the Door" section.
	B. Adjust the wall jambs so the door contacts with the strike seal. Refer to the "Adjust and Secure the Door" section.
Door Function	
1. The door hits the threshold.	A. Adjust the door to increase the gap between the door and the strike jamb to 1/4" (6 mm). Refer to the "Adjust and Secure the Door" section.
2. The door is difficult to open/shut.	A. Adjust the door to increase the gap between the door and the strike jamb so latches are not as tightly engaged. Refer to the "Adjust and Secure the Door" section.
	B. Adjust the wall jambs so the door contacts with the strike seal. Refer to the "Adjust and Secure the Door" section.
	C. Remove the bottom door seals and trim off one segment. Reinstall the seals.
3. The door opens too easily or unlatches on it's own.	A. Adjust the door to decrease the gap between the door and the strike jamb so latches are more tightly engaged. Refer to the "Adjust and Secure the Door" section.
Transom Function	
1. Inside transom panel rubs and makes noise when sliding.	A. Ensure both seals are installed in the top track. Refer to the "Install the Top Track and Expander" section.
	B. Ensure the plastic frame is installed to the bottom of the moving panel. Refer to the "Install the Inside Transom Panel" section.
	C. Ensure the top track is installed with the correct side facing toward the outside of the shower. Refer to the "Install the Top Track and Expander" section.
2. Inside transom panel does not close.	A. Ensure the transom fillers are installed correctly. Refer to the "Install the Transom Fillers" section.

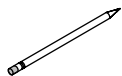
Guide d'installation

Porte de douche avec cadre et avec traverse

Outils et matériels



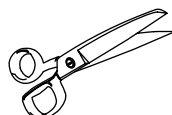
Mètre ruban



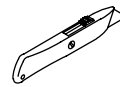
Crayon à papier



Lunettes de protection



Ciseaux



Couteau utilitaire



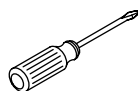
Perceuse et mèches variées



Niveau à bulle



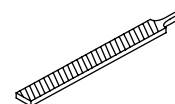
Joint en silicone



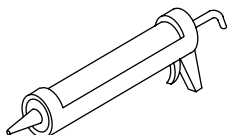
Tournevis cruciforme



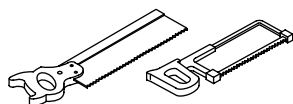
Ruban-cache



Lime



Pistolet à mastic



Scie à onglets ou à métaux avec des lames de 32 dents par pouce



Clé hexagonale 3/32" et 5/64" (fournie)

Plus:

- Toile de protection
- Maillet en caoutchouc
- Cales en bois
- Mèches 7/64", 1/8", 5/16", 3/8"

Avant de commencer



ATTENTION: Risque de blessures corporelles. Toujours porter des lunettes de protection lors de la découpe ou du perçage.



ATTENTION: Risque de blessure ou d'endommagement du produit. Ne pas tenter de découper le verre trempé. Le verre trempé se brise lorsqu'il est coupé.

AVIS: Ne pas toucher les bords du panneau de verre avec des outils ou des matériaux durs. Ne pas poser le rebord en verre non cadré directement sur le plancher. Ceci réduira le risque de cassure.

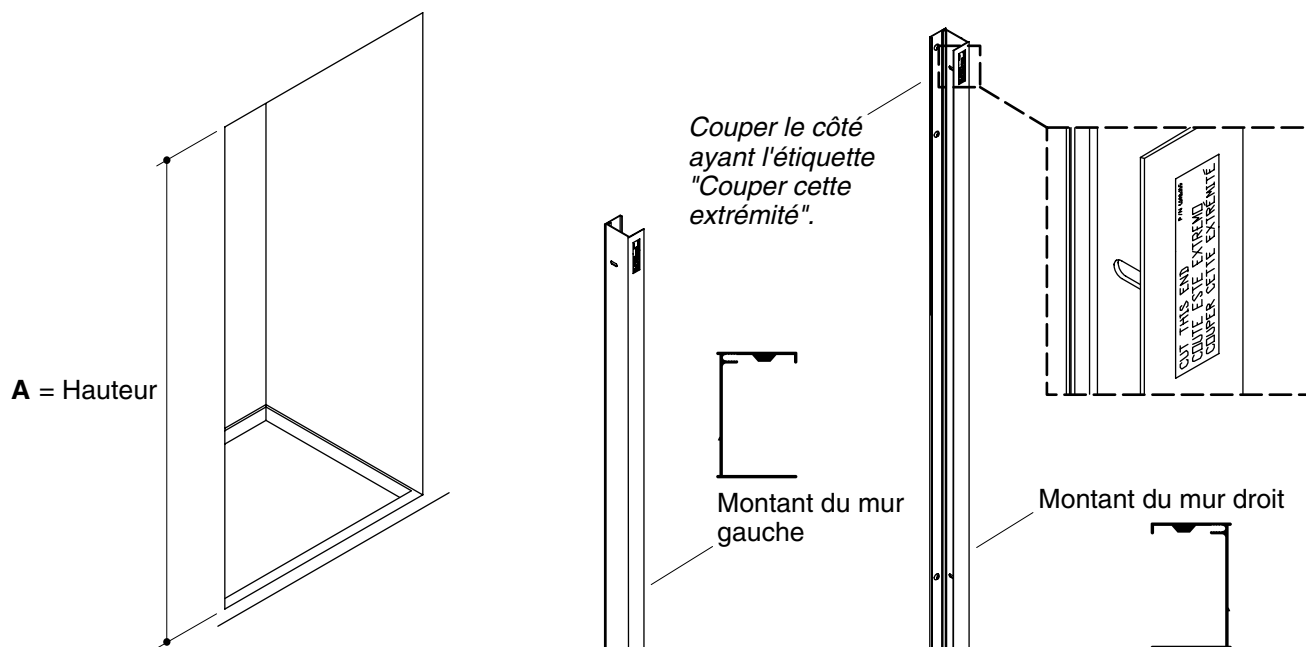
REMARQUE: Enregistrer le numéro du modèle dans le guide du propriétaire. Le numéro de modèle approprié permettra aux représentants du service clientèle d'assister rapidement en cas de besoin.

IMPORTANT! Cette porte est conçue pour s'adapter à des murs qui sont à moins de 3/8" (1 cm) hors d'aplomb. Vérifier que la zone où la porte sera fixée est comprise dans 3/8" (1 cm) ou moins de l'aplomb. La porte risque de ne pas fonctionner correctement si le mur est à plus de 3/8" (1 cm) hors d'aplomb.

- Votre nouvelle porte Kohler peut être installée avec l'ouverture vers la droite ou gauche. Pour de meilleurs résultats, installer la porte avec le côté pivot à l'écart de la pomme de douche. Ces instructions illustrent une porte installée avec une charnière à gauche. Les portes avec charnière à droite seraient opposées.
- Avant de commencer l'installation, préparer et identifier toutes les pièces. Les inspecter pour s'assurer de l'absence de tout dommage.

Avant de commencer (cont.)

- Le receveur de douche doit être installé et préparé à ce moment, ainsi que les matériaux du mur fini.
- Placer une toile de protection sur le fond de la douche pour recouvrir le drain et faciliter le nettoyage.
- Suivre attentivement les instructions relatives à l'application du joint d'étanchéité sur la porte. L'application d'un joint d'étanchéité ailleurs qu'aux endroits indiqués pourrait causer des fuites.
- Deux personnes sont nécessaires pour l'installation.
- Kohler Co. se réserve le droit d'apporter toutes modifications sur le design des produits et ceci sans préavis, tel que spécifié dans le catalogue des prix.



1. Détermination de la configuration de la porte

IMPORTANT! Les instructions varient selon la configuration de pivot choisie (gauche ou droite). Dans ces instructions, une installation avec charnière à gauche est illustrée.

- Déterminer si la porte pivotera vers la droite ou vers la gauche.

REMARQUE: La porte sera articulée sur le même côté que le panneau latéral.

- S'assurer que le mouvement de la porte n'est aucunement gêné dans la configuration choisie.
- La hauteur de l'ouverture "A" de l'installation doit être comprise entre 89" (226,1 cm) et 89-1/2" (227,3 cm).

2. Mesurer et couper les montants de mur

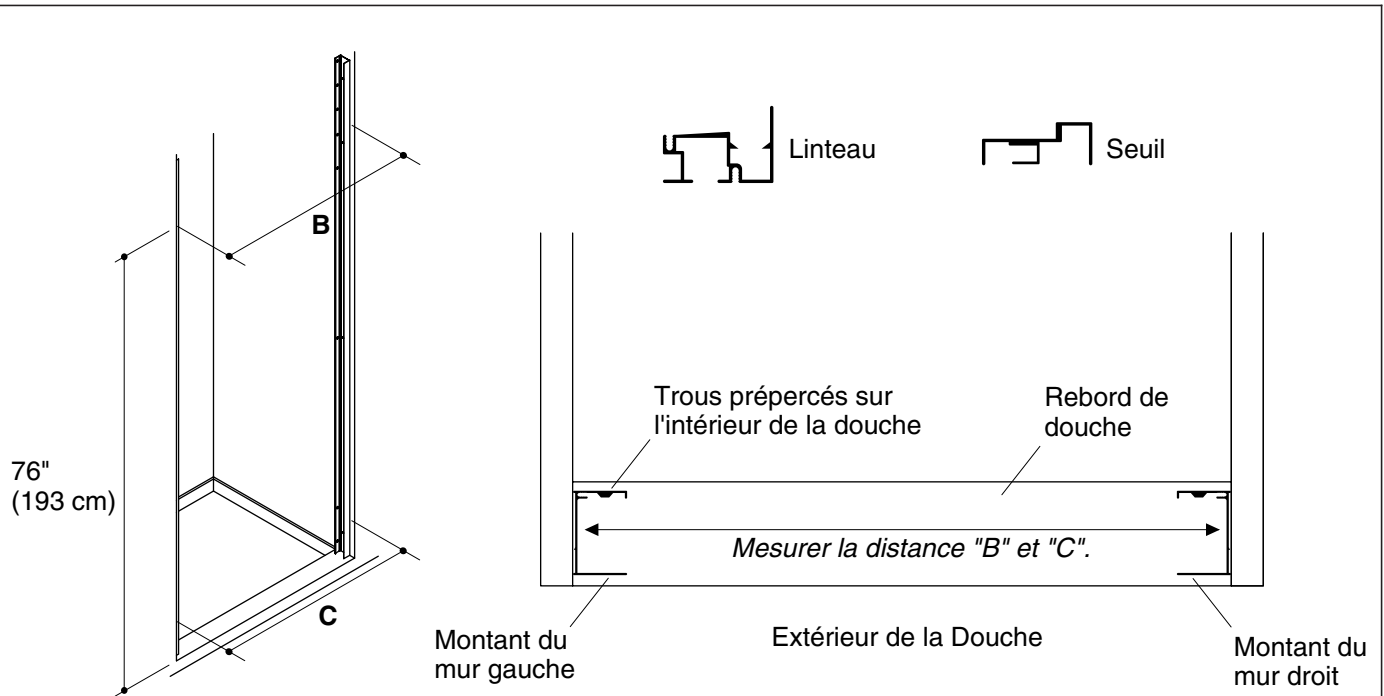


ATTENTION: Risque de blessures corporelles. Toujours porter des lunettes de protection lors du découpage.

IMPORTANT! Les montants de murs doivent se trouver à ras des murs latéraux et du rebord de la douche. Si la douche comprend des coins courbés aux emplacements où les murs latéraux entrent en contact avec le rebord, il sera nécessaire de façonner les extrémités inférieures des montants des murs avec une lime.

REMARQUE: Une étiquette indique le haut de chaque montant de mur. Ne pas retirer les étiquettes tant que les montants de mur ne sont pas installés.

- Mesurer soigneusement la hauteur "A" de l'ouverture finie. Se reporter à la fiche de raccordement pour vérifier que la porte entrera dans l'ouverture finie.
- Couper les montants de murs à cette mesure. S'assurer de couper du côté portant la mention "Couper cette extrémité". Pour obtenir les meilleurs résultats possibles, utiliser une lame de scie à métaux à 32 dents par pouce et une boîte à ongles.

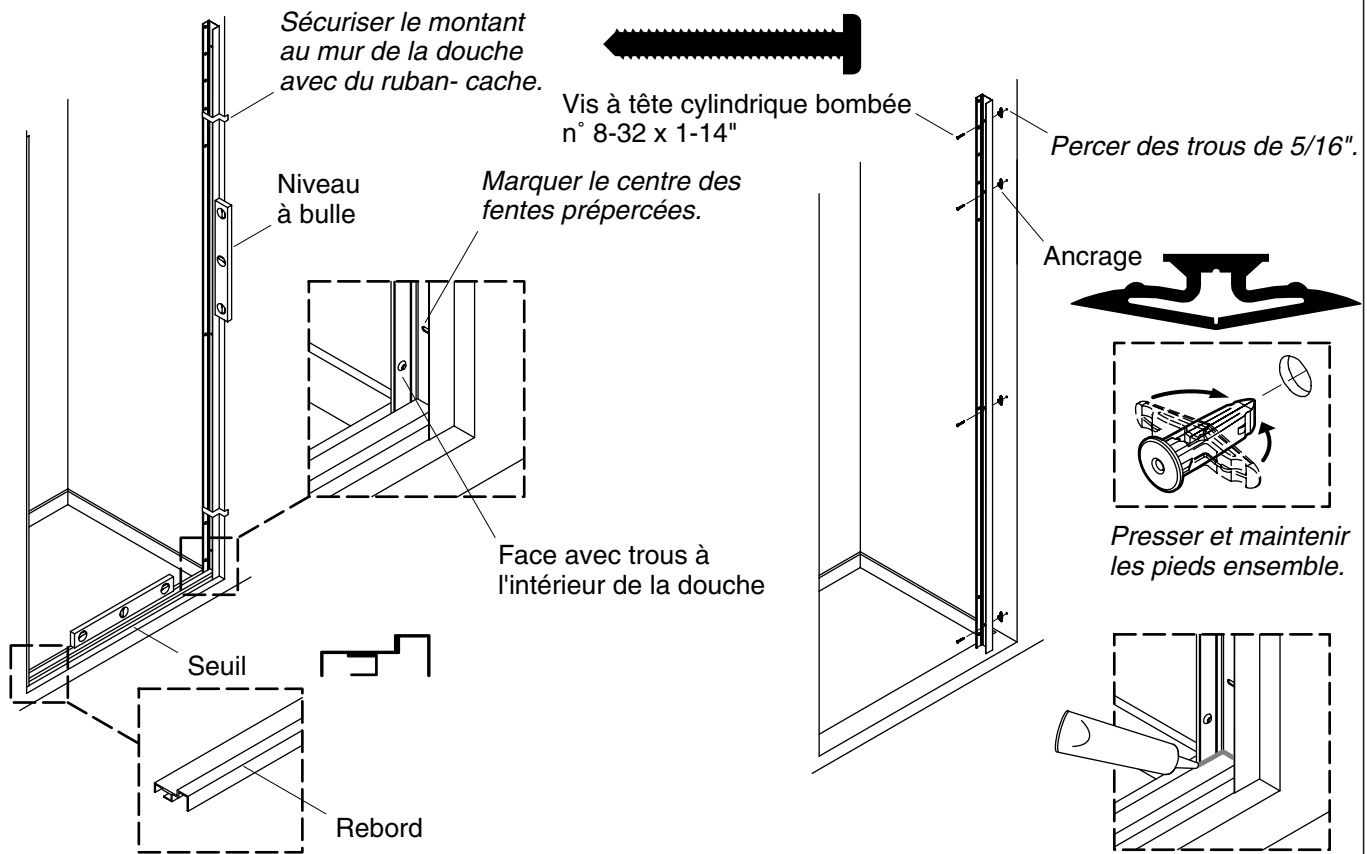


3. Mesurer et couper le linteau et le seuil



ATTENTION: Risque de blessures corporelles. Toujours porter des lunettes de protection lors du découpage.

- Fixer temporairement les montants de murs sur les murs latéraux de l'ouverture finie avec du ruban-cache. Diriger les montants de murs de manière à ce que les trous de vis soient tournés vers l'intérieur de la douche et l'étiquette "Top" (Haut) se trouve dans le haut.
- Mesurer avec précaution la distance (B) entre le haut des montants de murs, à 76" (193 cm) au-dessus du rebord de la douche. Marquer cette distance sur le linteau.
- Mesurer la distance (C) avec précaution entre le bas des montants du mur. Marquer cette dimension sur le seuil.
- Couper le long de l'intérieur de la ligne marquée pour couper le linteau et le seuil à la longueur voulue.
- Avec une lime, retirer toute ébarbure à l'endroit de découpe.



4. Installer les montants de mur et le seuil

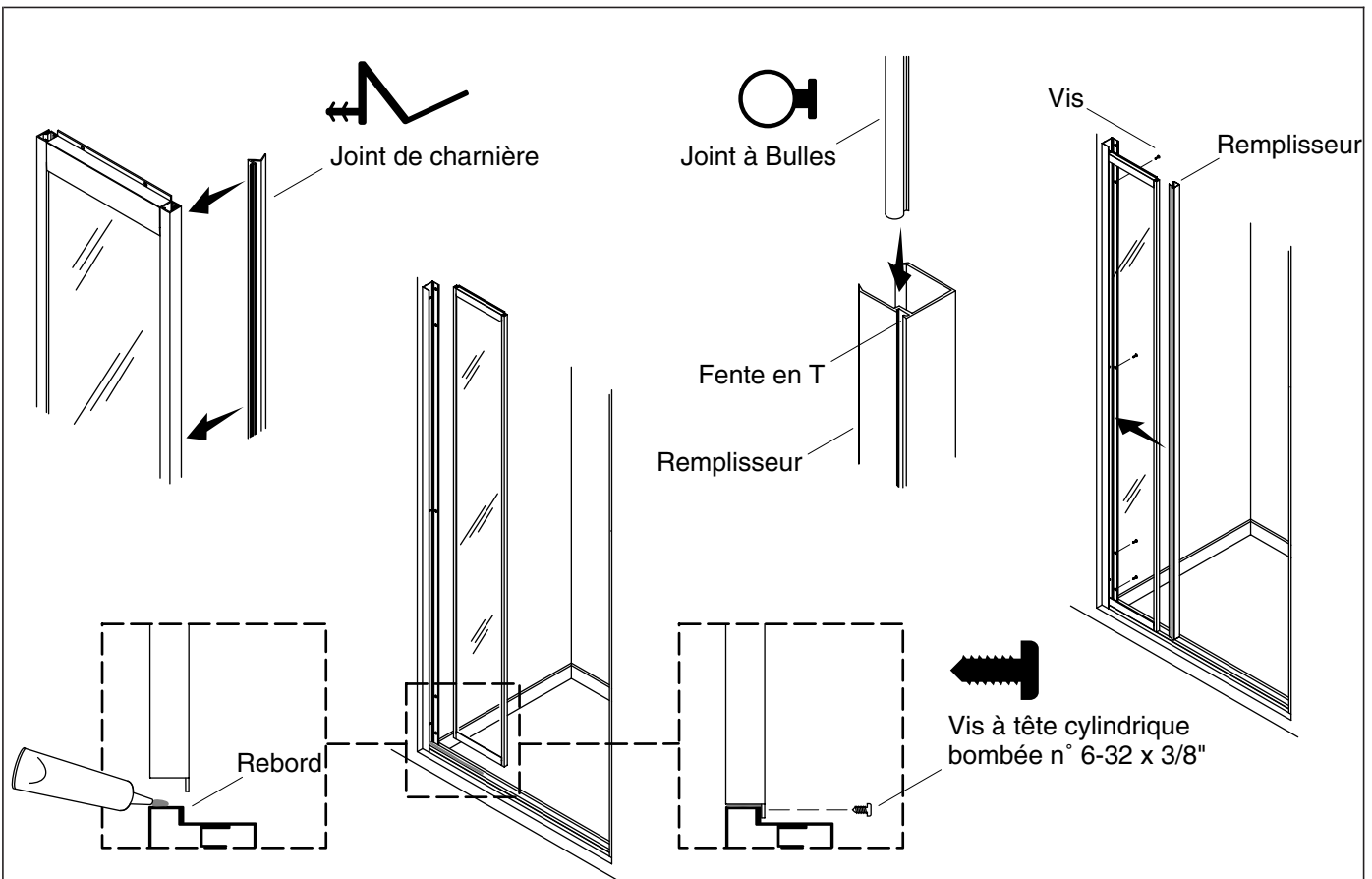
- Insérer les extrémités du seuil entre les montants du mur avec la lèvre dirigée vers l'extérieur de la douche.
- Vérifier que le seuil est posé à plat sur le rebord de la douche. Ajuster les montants des murs et le seuil selon les besoins pour assurer que le seuil est parallèle tout le long du rebord de la douche.
- Mettre d'aplomb les deux montants du mur à l'aide d'un niveau.
- Utiliser un crayon pour marquer la position du bas des deux montants du mur sur le rebord de la douche et sur le mur à proximité du haut des montants du mur.
- Marquer les centres des quatre fentes des montants du mur sur le mur de la douche.
- Retirer les montants du mur et le seuil.
- Percer des orifices de 5/16" aux emplacements indiqués.
- Bien nettoyer le rebord de la douche.
- Insérer des dispositifs d'ancrage dans les orifices percés.

IMPORTANT! Si le rebord du receveur de la douche n'est pas à plat, il sera nécessaire de caler le seuil afin d'assurer qu'il est installé à plat et à niveau.

- Utiliser les repères comme référence et repositionner le seuil et les montants du mur dans l'ouverture de la douche.
- Fixer les montants du mur sur le mur de la douche avec des vis à tête ronde #8 1-1/4".
- Vérifier que les montants du mur sont d'aplomb. Faire les réglages.
- Appliquer du mastic d'étanchéité à la silicone à l'intersection où chaque montant de mur entre en contact avec le seuil.

Installer les montants de mur et le seuil (cont.)

- Retirer les étiquettes des montants de mur.



5. Installer le panneau latéral

Installer le panneau latéral

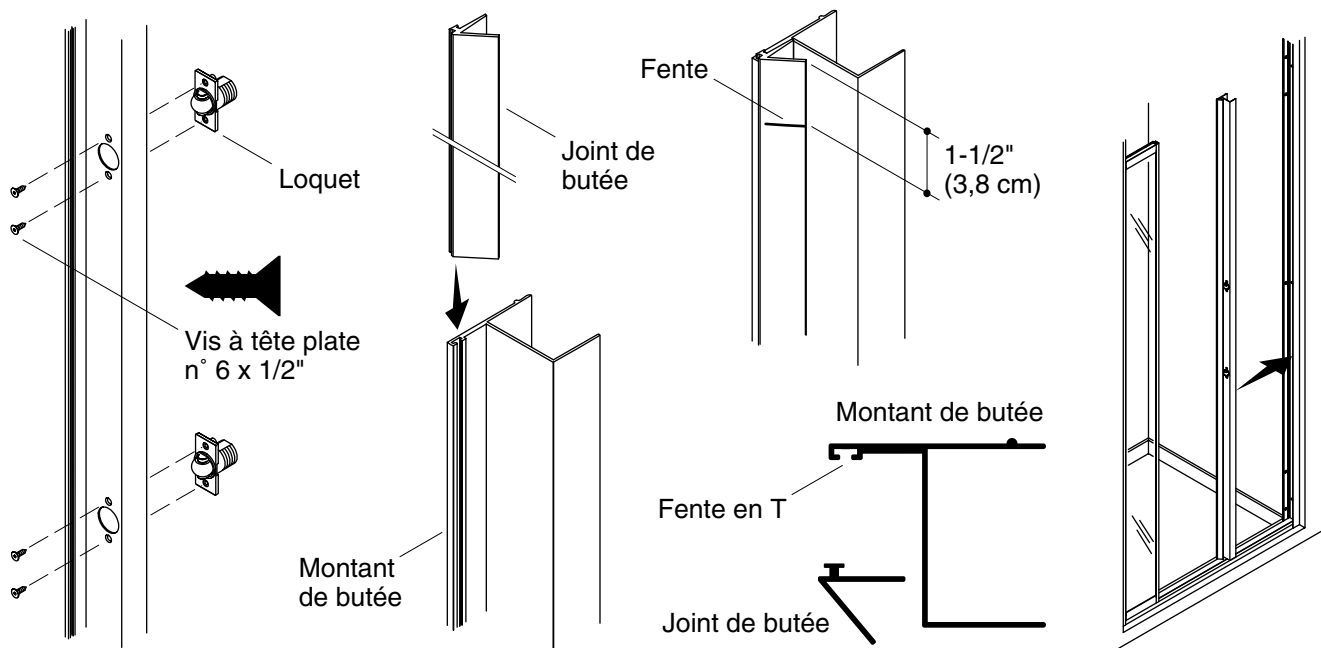
- Mesurer la largeur du panneau latéral.
- À partir du montant du mur où le panneau latéral sera installé, marquer la largeur mesurer sur le seuil.
- Appliquer un boudin de mastic d'étanchéité à la silicone le long du dessus du seuil entre le montant du mur et l'emplacement marqué.
- Orienter le panneau latéral avec l'étiquette dirigée vers le montant du mur et la lèvre inférieure dirigée vers l'intérieur de la douche.
- Placer le panneau latéral sur le seuil et le faire glisser à ras contre le montant du mur.
- Vérifier que le panneau latéral soit à ras du seuil.
- Utiliser une mèche de 7/64" pour percer un trou dans le seuil, à travers chacun des 2 trous percés au préalable dans la lèvre du panneau latéral.
- Fixer le panneau latéral sur le seuil en utilisant deux vis à tête ronde #6-32 x 3/8".

Installer le remplisseur du panneau latéral

- Faire glisser le joint bombé dans la rainure de la fente en T sur le remplisseur.
- Utiliser des ciseaux ou un couteau pour découper tout excès de joint bombé de manière à ce que celui-ci soit à égalité avec le dessus du remplisseur.
- À partir de l'intérieur de la douche, insérer le remplisseur entre le panneau latéral du montant du mur avec le joint bombé et la surface plate du remplisseur dirigés vers le panneau latéral.

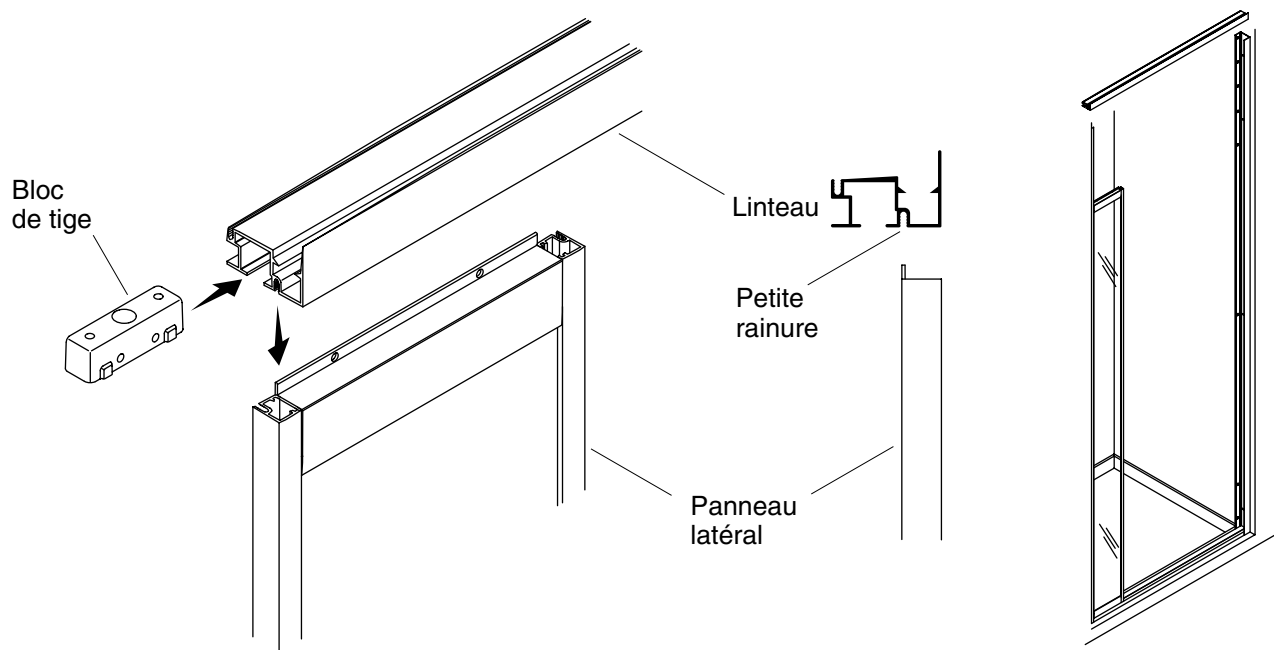
Installer le panneau latéral (cont.)

- Utiliser les trous percés au préalable dans le montant du mur et percer des trous de 1/8" dans le remplisseur.
- Utiliser une clé hexagonale de 3/32" pour fixer le remplisseur sur le montant du mur avec quatre vis à tête plate #8 x 3/4".
- Appuyer sur le joint de la charnière pour l'enfoncer dans le canal sur l'intérieur du cadre du panneau latéral.
- Couper la languette du joint de la charnière d'1-1/4" (3,2 cm) à chaque extrémité. Ceci permettra de fermer la porte complètement.



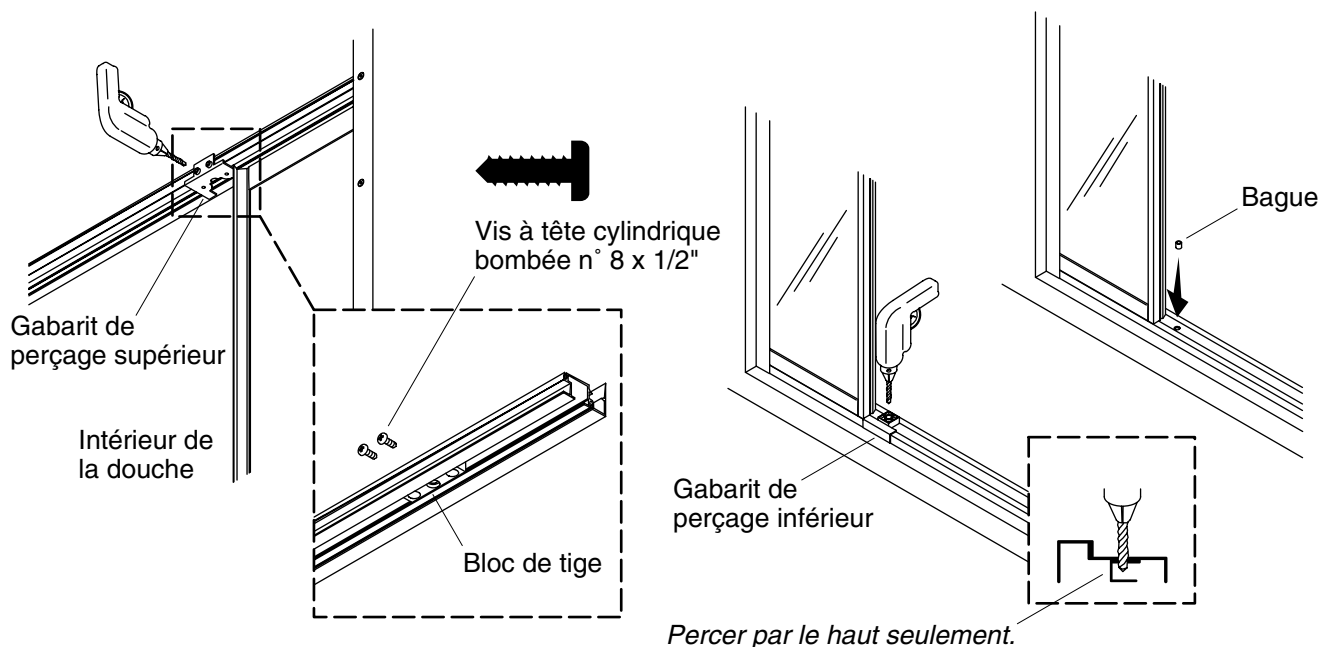
6. Installer le montant de fermeture

- Positionner le loquet sur le montant de fermeture.
- Utiliser la clé hexagonale de 5/64" fournie et fixer le loquet en place avec deux vis à tête plate #6 x 1/2".
- Répéter la procédure pour le deuxième loquet.
- Faire glisser avec précaution le joint bombé dans la fente en T sur le montant recevant la gâche. Ne pas couper le joint.
- Découper une fente horizontale dans la languette du joint à 1-1/2" (3,8 cm) de chaque extrémité.
- Insérer le montant recevant la gâche dans le montant du mur tel qu'illustré. Le fixer en place temporairement avec du ruban-cache.



7. Positionner le linéau

- Faire glisser le bloc de la goupille dans le linéau.
- Placer le linéau entre les montants du mur avec la lèvre dirigée vers le haut et vers l'extérieur de la douche.
- Mettre le linéau en place sur le dessus du panneau latéral et du montant recevant la gâche. Vérifier que la lèvre située sur le cadre du panneau latéral est engagée dans le petite rainure du linéau.



8. Installer le bloc de la tige et la bague

Fixer le bloc de la tige en place

- Insérer le gabarit de perçage supérieur dans le bloc de la tige.
- Faire glisser le gabarit avec le bloc de la tige contre le panneau latéral.

IMPORTANT! Utiliser les orifices latéraux du gabarit de perçage supérieur pour cette installation. Ne pas percer à travers les orifices du bas du gabarit.

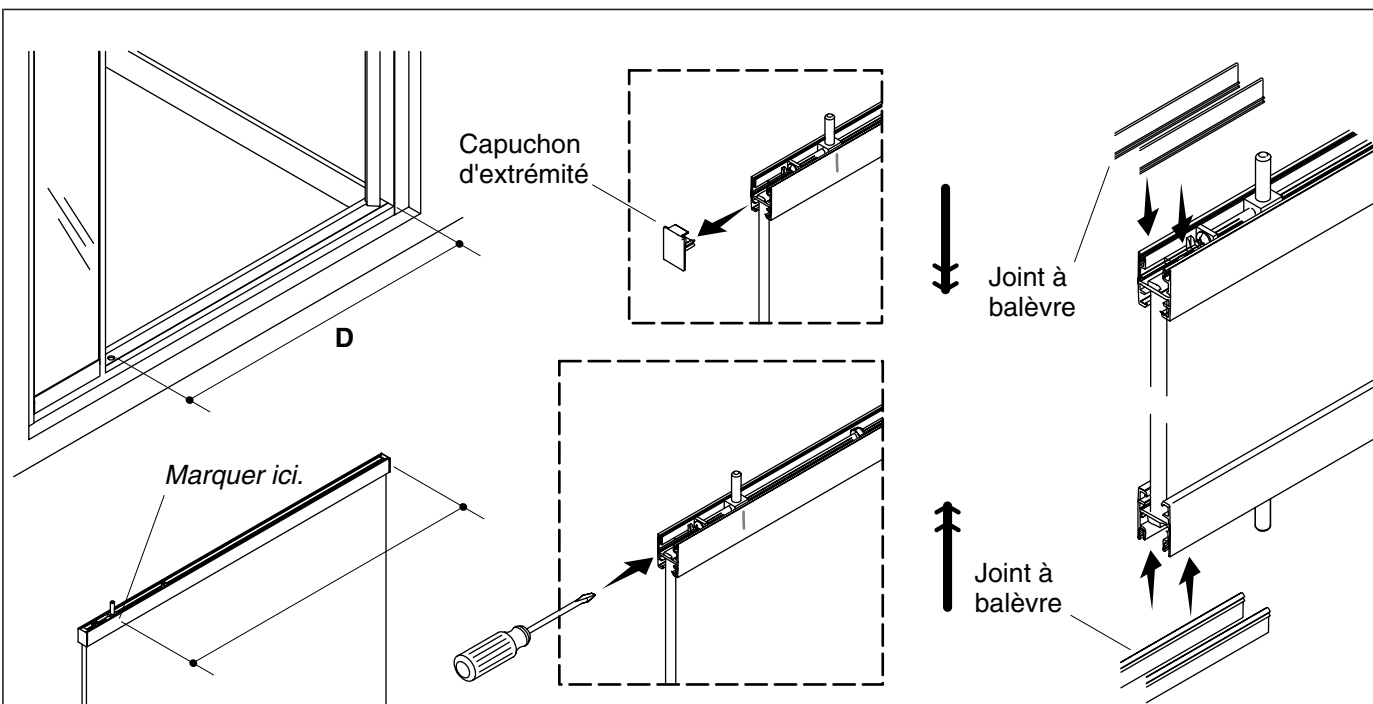
- À partir de l'intérieur de la douche, tenir le gabarit de perçage du haut et le bloc de la tige en place. Utiliser l'un des guides des orifices latéraux et percer un trou de 1/8" dans le linteau.
- Retirer le gabarit et fixer le bloc de la tige sur le linteau avec une vis à tête ronde #8 x 1/2".
- Repositionner le gabarit de perçage du haut dans le bloc de la tige et percer le deuxième trou de 1/8" dans le côté du linteau.
- Retirer le gabarit et fixer le bloc de la tige sur le linteau avec une vis à tête ronde #8 x 1/2".

Installer la bague

- Placer le gabarit de perçage du bas par-dessus le linteau et à ras du panneau latéral.

IMPORTANT! Percer seulement dans la surface supérieure du linteau. Ne pas percer à travers le bas du linteau.

- Maintenir le gabarit en place et percer un trou de 3/8" dans le haut du linteau.
- Utiliser un maillet en caoutchouc pour taper sur la bague en métal et l'enfoncer dans le trou percé.



9. Assembler la porte

REMARQUE: Laisser un petit espace du côté poignée de la porte pour dégagement de la butée de porte. Sans cet espace la porte ne se fermera pas.



ATTENTION: Risque de blessure ou d'endommagement du produit. Le verre trempé non encadré ne doit pas être en contact avec les surfaces dures pour ne pas briser. Ne pas toucher les bords du panneau de verre avec des outils ou des matériaux durs. Ne pas appuyer le panneau non encadré directement sur le plancher.

Placer les tiges d'emplacement sur le panneau de la porte

- Mesurer la distance "D" entre le montant recevant la gâche et le bord de la bague dans le seuil.
- Mesurer à partir du bord du verre avec les trous et marquer la distance "D" sur les cadres supérieur et inférieur du panneau de la porte.

IMPORTANT! Risque d'endommagement du produit. Ne pas soulever les capuchons d'extrémité au levier contre le bord en verre. Le fait de toucher le bord du panneau en verre trempé avec des outils ou des objets durs augmente le risque d'éclatement. Une cale en bois et un maillet en caoutchouc peuvent être utilisés pour taper avec précaution sur les capuchons pour les retirer.

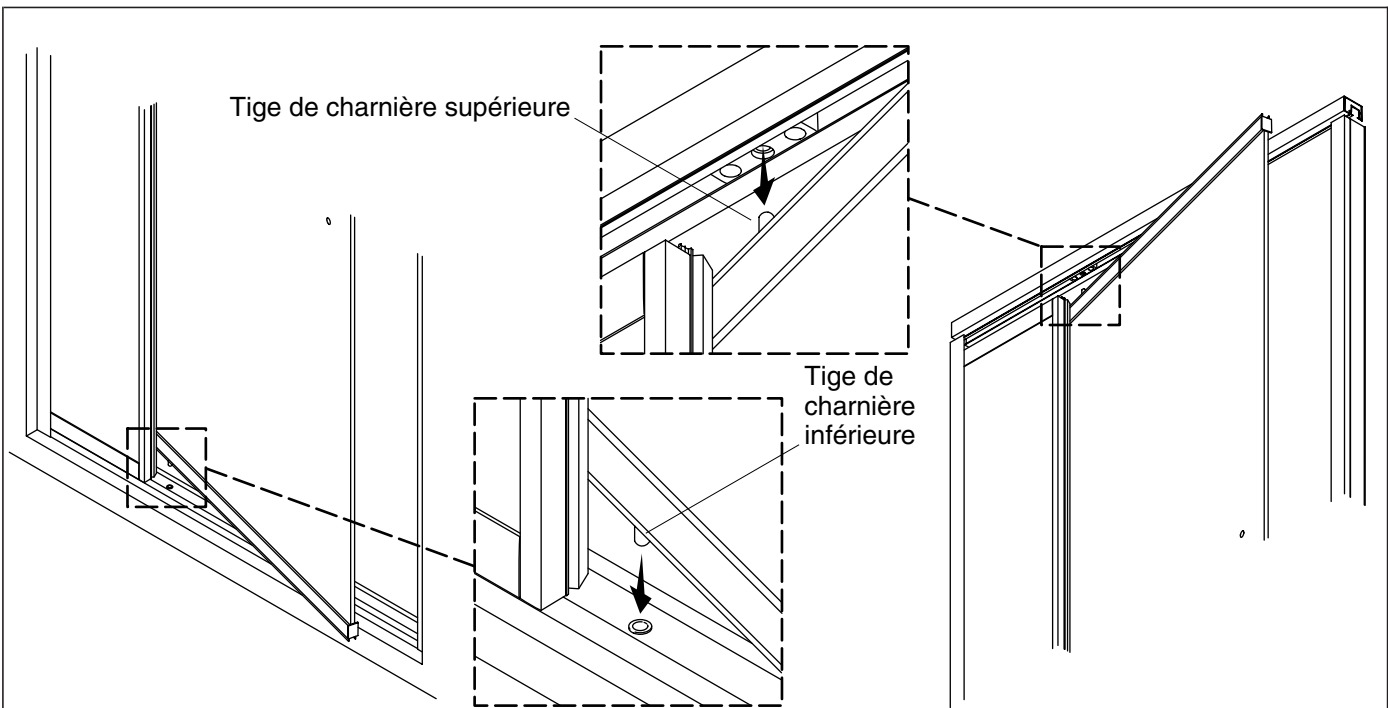
- Retirer les capuchons d'extrémité préassemblés du côté de la tige des cadres de panneaux de porte supérieur et inférieur afin de pouvoir accéder aux ajusteurs de la tige. **Mettre les capuchons d'extrémité de côté.**
- Utiliser un tournevis Phillips pour tourner l'ajusteur supérieur de la tige et tourner celle-ci jusqu'au repère sur le cadre. Tourner la vis dans le sens des aiguilles d'une montre pour amener la tige plus près du bord du verre.
- Répéter cette procédure pour l'ajusteur inférieur de la tige. Ne pas réinstaller les capuchons d'extrémité à ce moment.

Installer les joints sur le panneau de la porte

- Enfoncez un joint à balèvre dans chacun des deux canaux sur le cadre supérieur et le cadre inférieur du panneau de la porte.

Assembler la porte (cont.)

- S'assurer que chaque joint est entièrement inséré dans les canaux le long de toute la longueur du cadre. Lorsqu'un engagement complet a lieu, la partie exposée du joint sera égale à $1/4''$ (6 mm) ou moins.
- Si nécessaire, couper la partie de joint en excès à la même longueur que celle des cadres supérieur et inférieur.



10. Installer la Porte

IMPORTANT! Ces étapes nécessitent deux installateurs.

- Avec l'étiquette "CleanCoat" (Revêtement propre) dirigé vers l'extérieur de la douche, lever le panneau de la porte et guider la tige inférieure de la porte dans la bague située dans le seuil.
- Lever le linteau et placer la tige supérieure de la porte dans la bague se trouvant dans le bloc de la tige.
- Appuyer sur le linteau pour le mettre en place, en s'assurant que le cadre du panneau latéral est entièrement engagé dans le linteau.

Installateur #1

- Soulever la porte en position de manière à ce que la tige de charnière inférieure soit au-dessus de la bague du seuil.
- **Noter** baisser la porte de manière à ce que la tige de charnière s'ajuste dans la bague inférieure. Maintenir la porte en place pendant que l'installateur #2 aligne la tige de la charnière supérieure.

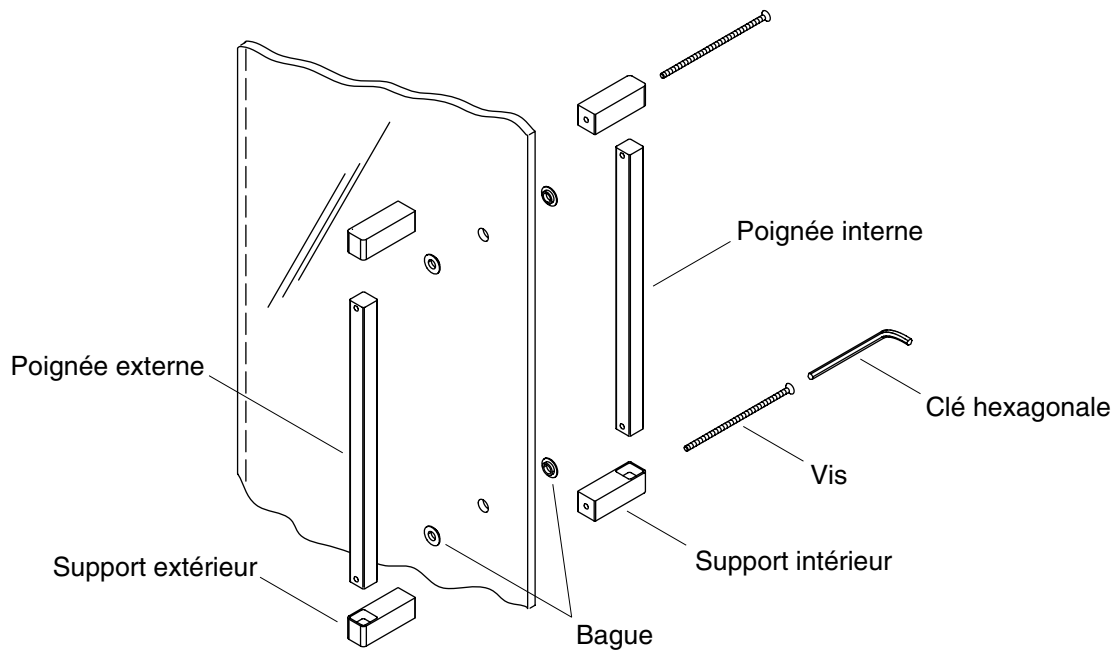
Installateur #2

- Lever le linteau et positionner la porte de manière à ce que la tige de la charnière supérieure soit alignée avec la bague se trouvant dans le bloc de la tige attaché sur le linteau.
- Appuyer sur le linteau pour le mettre en place. Vérifier que la lèvre située sur le cadre du panneau latéral est engagée dans la petite rainure du linteau.

REMARQUE: La porte devra peut-être être ajustée; ne pas effectuer d'ajustements finaux tant que le linteau et la poignée n'ont pas été installés.

Fixer le linteau en place

- À partir de l'intérieur de la douche, vérifier que la lèvre du cadre du panneau latéral est engagée dans la petite rainure du linteau.
- Utiliser les trous percés au préalable dans les montants de mur comme guides et percer un trou de 1/8" dans le linteau.
- Fixer le linteau en place en utilisant deux vis à tête plate #8 x 3/4".

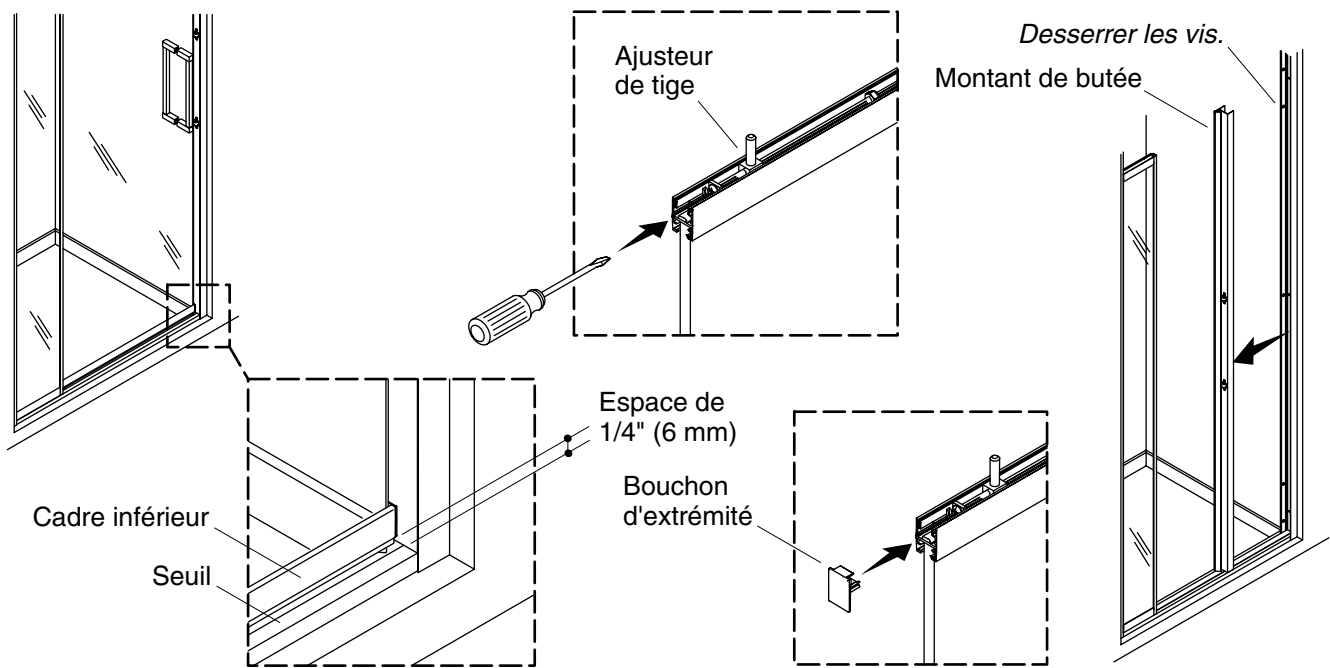


11. Installer les poignées

- Identifier la poignée et les supports intérieurs – avec des trous non filetés. Assembler les supports et la poignée intérieurs avec deux vis à tête plate #8 x 4-1/2" tel qu'illustré.
- Placer une bague sur chaque vis tel qu'indiqué.
- Placer l'ensemble de la poignée intérieure sur le panneau de porte en insérant avec précaution les deux vis à travers les trous dans le verre.
- Placer une deuxième bague sur chaque vis et dans les trous du verre.
- Assembler les supports et la poignée extérieurs tel qu'indiqué et attacher la poignée intérieure en serrant les vis à la main.

AVIS: Ne pas trop serrer. Un serrage excessif peut endommager le panneau de la porte.

- Avec la clé hexagonale de 3/32" fournie, serrer les vis pour sécuriser la poignée en place.



12. Ajuster et fixer la porte

Pour ajuster le panneau de la porte

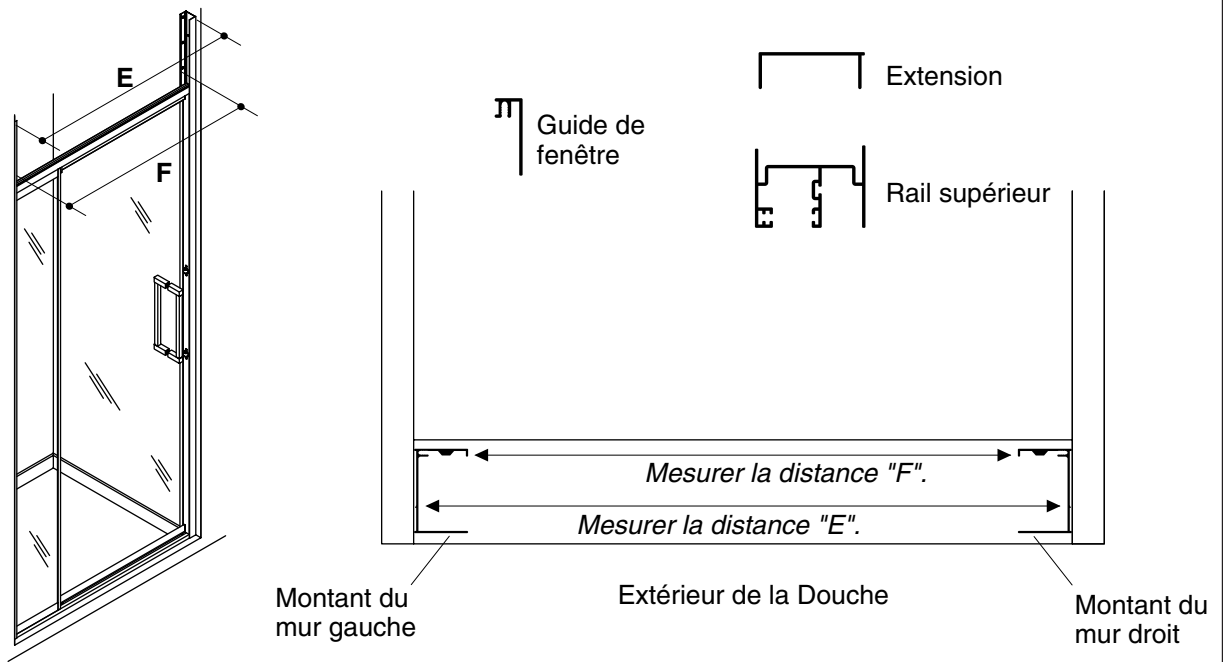
- Ouvrir la porte pour accéder aux régleurs de la tige situés dans les cadres du haut et du bas sur le côté pivot du panneau en verre.
- Utiliser un tournevis Phillips pour tourner l'ajusteur supérieur de la tige et tourner celle-ci jusqu'au repère sur le cadre. Tourner la vis dans le sens des aiguilles d'une montre pour amener la tige plus près du bord du verre.
- Ajuster la porte de manière à ce qu'il y ait un écart de 1/4" (6 mm) au moins entre le cadre du bas et le dessus du seuil.
- La porte doit être alignée de manière égale le long du montant recevant la gâche et doit pouvoir s'ouvrir facilement sans que les capuchons d'extrémité ne frappent contre le montant recevant la gâche. Si les capuchons d'extrémité frappent le montant recevant la gâche, la porte ou le montant recevant la gâche auront besoin d'un ajustement supplémentaire.
- S'assurer que le panneau de la porte comprime le joint de la gâche le long de toute la longueur de la porte. Si un écart est présent sur le haut ou le bas, il sera nécessaire d'ajuster le montant du mur.
- Si le montant du mur doit être ajusté, retirer le montant recevant la gâche et desserrer les vis maintenant le montant du mur en place (ne pas les retirer). Déplacer le montant du mur selon les besoins et fixer les vis en place.
- Vérifier l'ouverture et la fermeture de la porte pour s'assurer que les bord en verre entrent en contact avec les loquets.
- Réinstaller les capuchons d'extrémité sur les cadres supérieur et inférieur du panneau de la porte en tapant légèrement dessus avec un maillet en caoutchouc pour les mettre en place.
- Si les capuchons d'extrémité sont desserrés lors de leur réinstallation, les retirer, appliquer un mastic d'étanchéité à la silicone, et les réinstaller.

Pour fixer le montant recevant la gâche en place

- À partir de l'intérieur de la douche, utiliser les trous percés au préalable dans les montants du mur comme guides et percer des trous de 1/8" dans le montant recevant la gâche.

Ajuster et fixer la porte (cont.)

- Fixer le montant recevant la gâche en place en utilisant quatre vis à tête plate #8 x 3/4". Ne pas trop serrer.



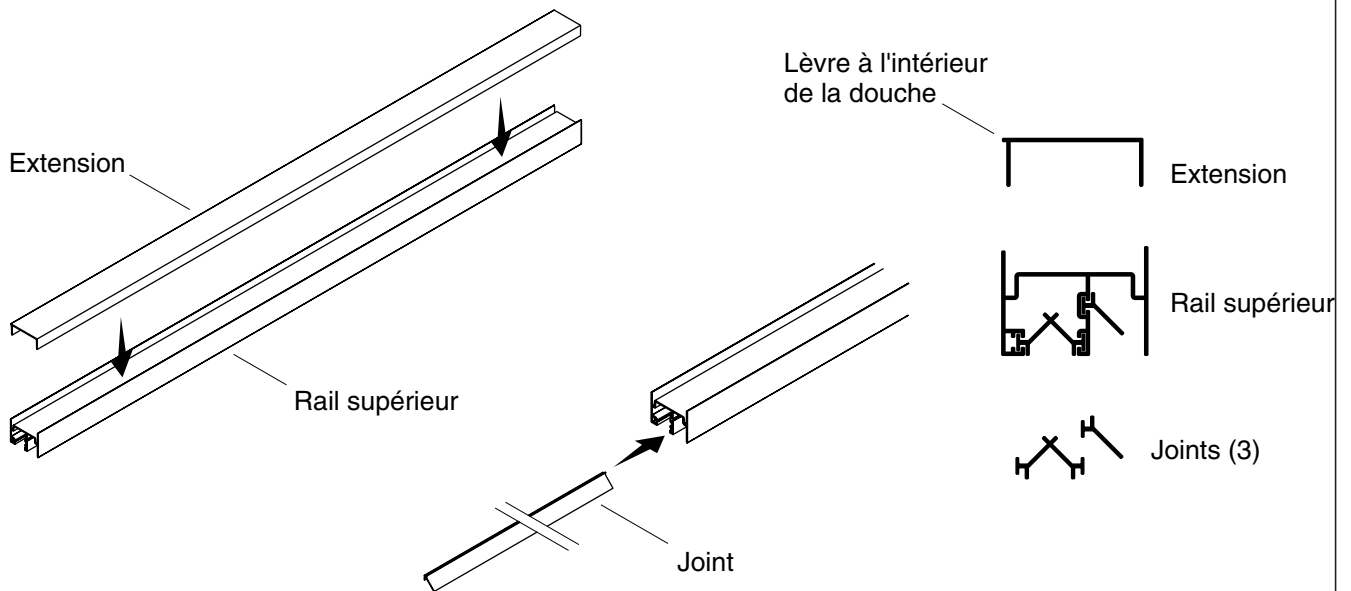
13. Couper le rail supérieur et le montant extensible

Rail supérieur et montant extensible

- Mesurer la distance "E" tel qu'indiqué dans le haut des montants du mur.
- Soustraire 1/8" (3 mm) à la dimension "E".
- Transférer cette mesure sur le rail supérieur et le montant extensible.
- Couper le rail supérieur et le montant extensible le long de la ligne marquée.

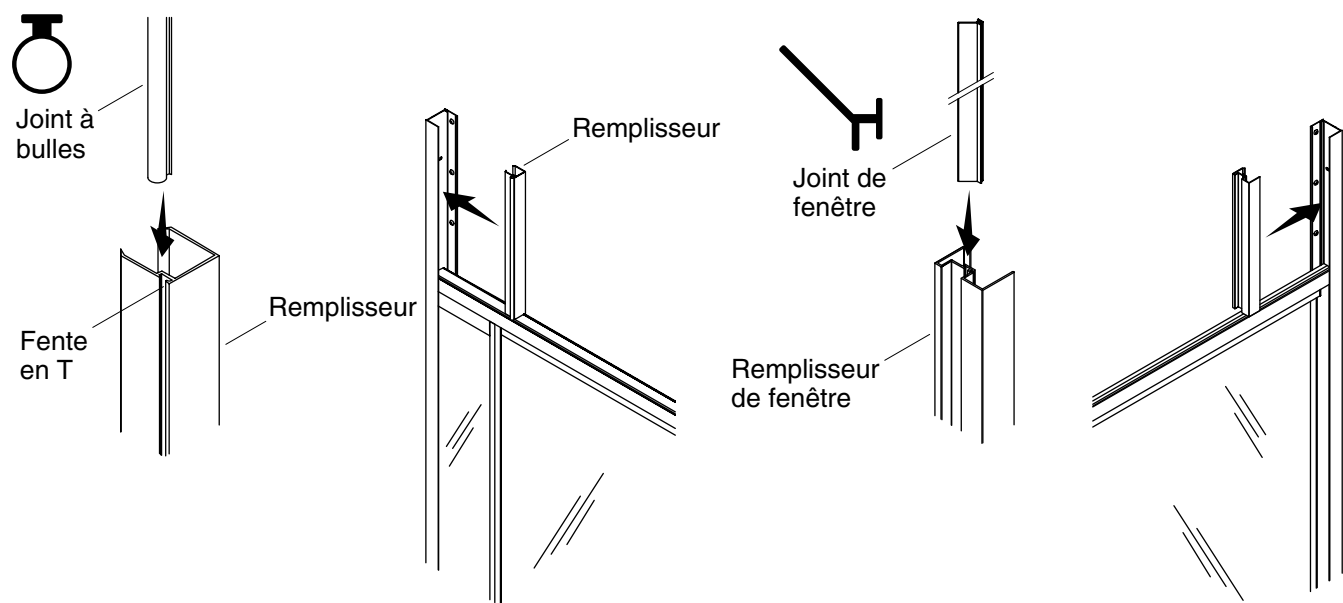
Guide de fenêtre

- Mesurer la distance "F," au-dessus du linteau, entre les montants du mur.
- Transférer cette mesure sur le guide de la fenêtre.
- Couper le guide de la fenêtre le long de l'intérieur de la ligne tracée.



14. Installer le rail supérieur et le montant extensible

- Couper les trois joints de la fenêtre à la même longueur que celle du rail supérieur.
- Faire glisser les joints de la fenêtre dans les fentes en T du rail supérieur tel qu'indiqué.
- Insérer le montant extensible dans le rail supérieur avec la lèvre située sur le même côté que le canal à 2 joints du rail supérieur.
- Orienter l'ensemble du rail supérieur avec la lèvre et deux joints dirigés vers l'intérieur de la douche.
- Insérer l'ensemble du rail supérieur entre les montants du mur en inclinant l'ensemble et en faisant glisser les extrémités dans les montants du mur.
- Pousser l'ensemble du rail supérieur vers le haut et vers le plafond et le maintenir en place temporairement avec du ruban-cache.



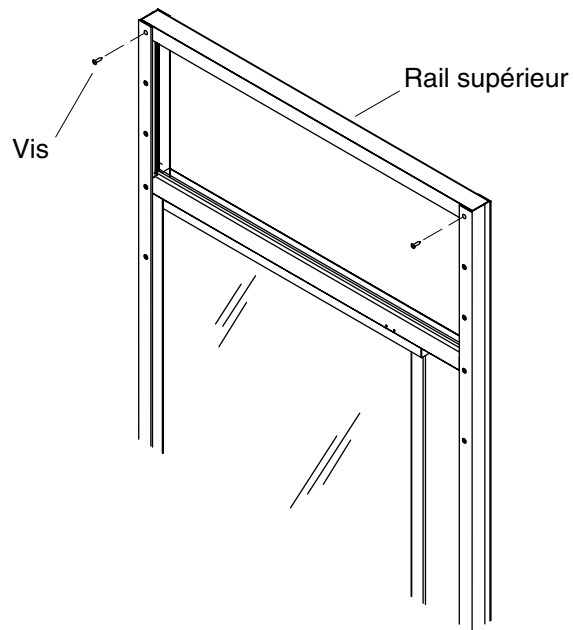
15. Installer les remplisseurs de la fenêtre

Remplisseur de fenêtre du côté du panneau latéral

- Couper le joint bombé à une longueur de 12" (30,5 cm).
- Faire glisser le joint bombé dans la fente en T du remplisseur.
- Placer le remplisseur dans le montant du mur au-dessus du panneau latéral avec la surface place du remplisseur tournée vers l'extérieur et le joint bombé tourné vers l'extérieur de la douche. Ne pas sécuriser à ce moment.

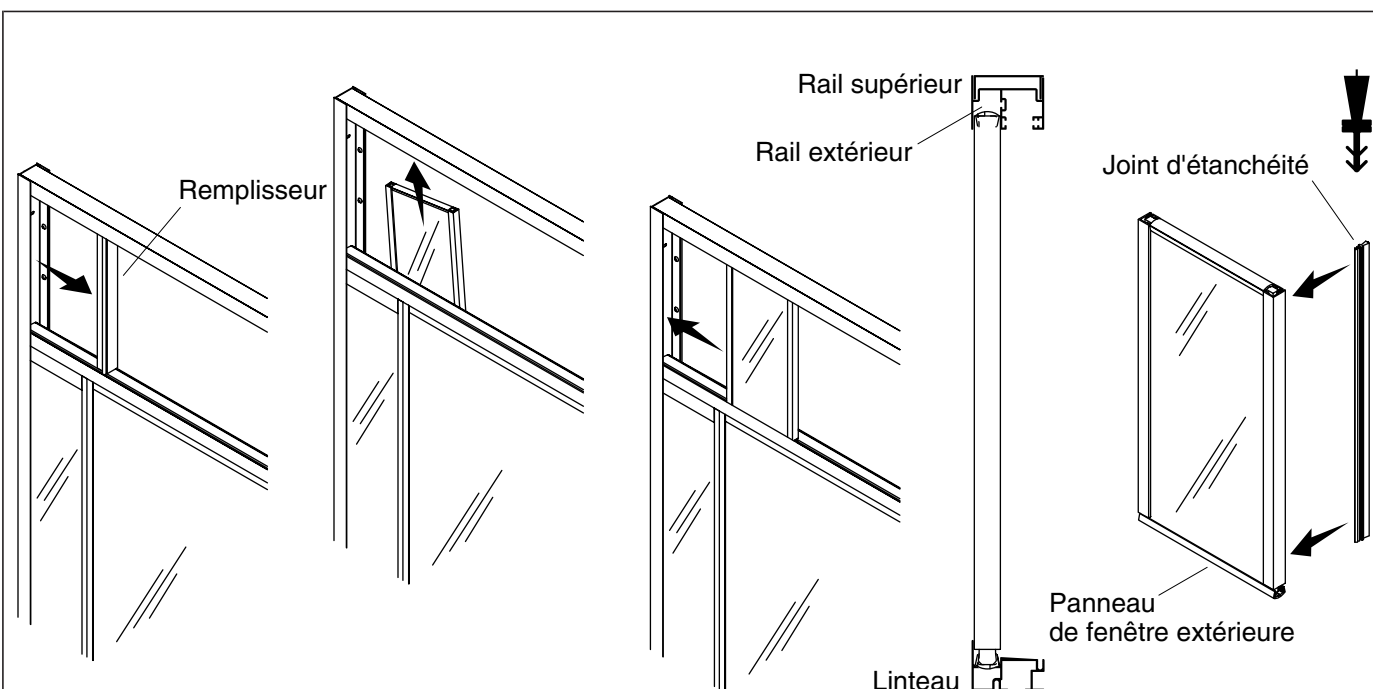
Remplisseur de fenêtre côté gâche

- Couper le joint de la fenêtre à une longueur de 12" (30,5 cm).
- Faire glisser le joint de la fenêtre dans la fente en T du remplisseur de la fenêtre.
- Installer le remplisseur dans le montant de la fenêtre au-dessus du montant recevant la gâche avec le joint de la fenêtre tourné vers l'intérieur de la douche.
- Utiliser les trous percés au préalable dans les montants du mur comme guides et percer des trous de 1/8" dans le remplisseur de fenêtre.
- Fixer le remplisseur de fenêtre sur le montant du mur avec deux vis à tête plate #8 x 3/4".



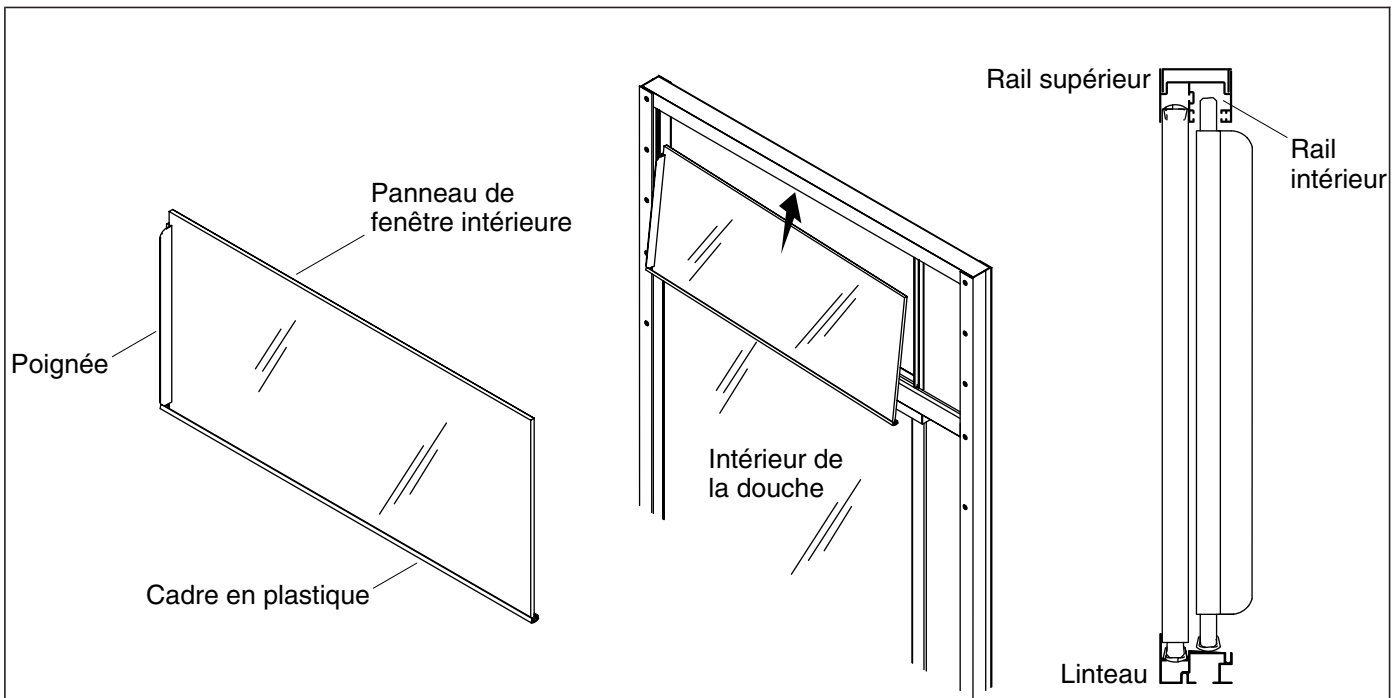
16. Fixer le rail supérieur en place

- Retirer le ruban du rail supérieur.
- Abaisser l'ensemble supérieur pour le reposer sur le dessus des deux remplisseurs.
- Utiliser les trous percés au préalable dans les montants de mur comme guides et percer des trous de 1/8" dans le rail supérieur.
- Sécuriser le rail supérieur à l'aide de deux vis à tête plate #8 x 3/4".



17. Installer le panneau extérieur de la fenêtre

- Retirer le remplisseur situé au-dessus du panneau latéral
- Identifier le dessus du panneau extérieur de la fenêtre - les deux cadres latéraux métalliques sont à ras du cadre en plastique.
- À partir de l'intérieur de la douche, lever et incliner le panneau extérieur de la fenêtre dans le rail extérieur du rail supérieur.
- Incliner le bas du panneau vers le linteau, jusqu'à ce qu'il soit assis dans le rail sur le haut du linteau.
- Faire glisser le panneau vers le montant du mur et aligner le cadre latéral avec le cadre situé sur le panneau latéral.
- Réinstaller le remplisseur entre le montant du mur et le panneau avec le joint bombé vers le panneau.
- Utiliser les trous percés au préalable dans le montant du mur et percer des trous de 1/8" dans le remplisseur.
- Utiliser une clé hexagonale de 3/32" pour fixer le remplisseur en place sur le montant du mur avec deux vis à tête plate #8 x 3/4".
- Appuyer sur le joint de la charnière pour l'enfoncer dans le canal sur l'intérieur du cadre du panneau latéral.



18. Installer le panneau intérieur de la fenêtre

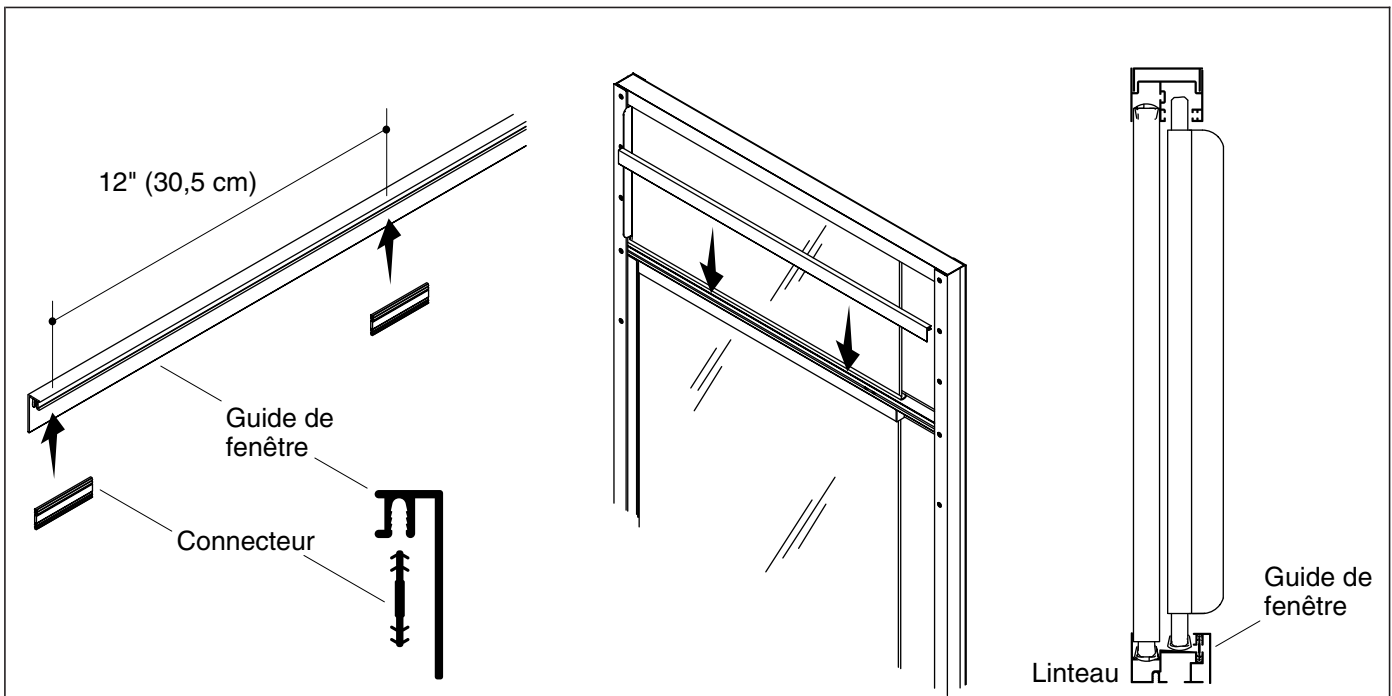
IMPORTANT! Le cadre en plastique de la fenêtre est préinstallé sur le panneau intérieur de la fenêtre. Lorsque le panneau est installé, la poignée est orientée sur le côté gâche de la porte, vers l'intérieur de la douche et le cadre en plastique doit se trouver sur le bas. Le cadre en plastique doit être retiré et réinstallé sur le côté opposé du panneau si nécessaire.

- À partir de l'intérieur de la douche, lever le panneau intérieur dans le rail intérieur du rail supérieur.
- Incliner le bas du panneau vers le linteau, jusqu'à ce qu'il soit assis sur le dessus du linteau.



ATTENTION: Risque de blessure ou d'endommagement du produit. Le panneau ne sera pas en place en toute sécurité à ce moment. Tenir le panneau avec deux mains jusqu'à ce qu'il soit en place temporairement à l'intérieur du remplisseur de la fenêtre.

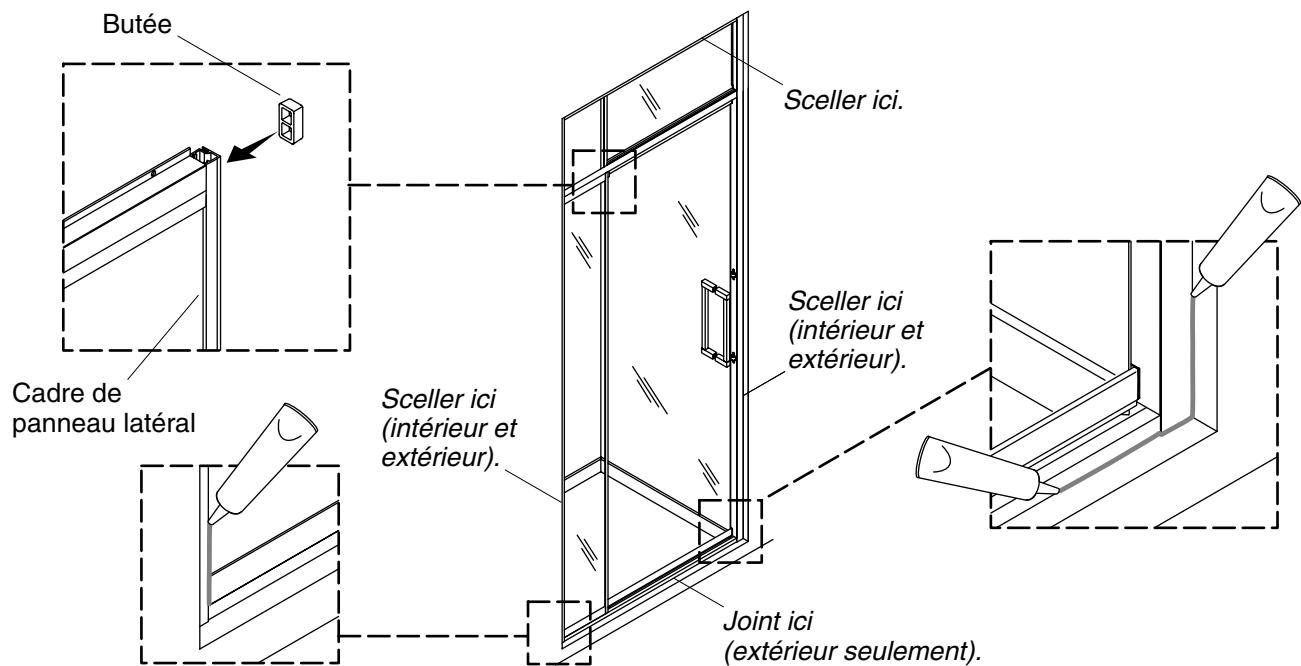
- Faire glisser le panneau dans le remplisseur de la fenêtre sur le côté gâche de la porte.



19. Installer le guide de la fenêtre

- Appuyer sur les connecteurs pour les enfoncer dans le canal et dans le guide de la fenêtre. Placer un connecteur sur chaque extrémité du guide de la fenêtre, puis tous les 12" (30,5 cm) le long de la longueur du guide.
- Appuyer sur l'ensemble de la fenêtre pour l'enfoncer dans la rainure du linteau.

REMARQUE: Il y aura un léger écart entre le guide de la fenêtre et le linteau.



20. Terminer l'installation

Attacher les butées et le logo Kohler

- Installer une butée sur le bord du cadre du panneau latéral tel qu'indiqué.
- Installer deux butées sur le remplisseur dans la fenêtre.
- Le cas échéant, installer le logo KOHLER sur le centre du seuil (non illustré).

Appliquer du produit d'étanchéité

IMPORTANT! Suivre avec précaution les instructions du fabricant du mastic à la silicone pour l'application et durée de durcissement.

REMARQUE: Bien nettoyer et sécher toutes les surfaces sur lesquelles du mastic à la silicone a été appliqué.

- Utiliser du ruban-cache pour protéger les surfaces avoisinantes à celles où le joint est appliqué.
- Appliquer un boudin de mastic à la silicone sur l'extérieur et l'intérieur des joints verticaux, à l'emplacement où les montants du mur entrent en contact avec le mur.
- Appliquer un boudin de mastic d'étanchéité sur l'extérieur du joint vertical, entre le montant du mur et le panneau latéral, tel qu'indiqué.
- Appliquer un boudin de mastic à la silicone sur le côté sec du seuil, à l'emplacement où il entre en contact avec le rebord de la douche. Ne pas appliquer de mastic d'étanchéité sur le côté mouillé du seuil.
- Appliquer un boudin de mastic d'étanchéité à l'emplacement où le montant extensible du linteau entre en contact avec le plafond pour créer une barrière de vapeur.

Dépannage

Ce guide de dépannage est seulement destiné à une aide générale. Pour des problèmes ou questions concernant l'entretien et l'installation, composer le 1-800-4-KOHLER.

Tableau de dépannage

Symptômes	Action recommandée
Fuites d'eau	
1. Fuites d'eau sous le panneau latéral.	A. À partir de l'extérieur de la douche, appliquer de la silicone sur le joint, à l'emplacement où le panneau latéral entre en contact avec le seuil.
2. Fuites d'eau au niveau de l'intersection du panneau latéral et du montant du mur.	A. À partir de l'extérieur de la douche, appliquer de la silicone sur le joint, à l'emplacement où le panneau latéral entre en contact avec le montant du mur.
3. Fuites d'eau sous la porte.	A. Vérifier que tous les joints sont en place. Se référer à la section "Assembler la porte". B. Ajuster la porte pour réduire l'écart entre le seuil et le bas de la porte. Se référer à la section "Ajuster et fixer la porte".
4. Fuites d'eau entre la porte et le panneau latéral.	A. Contacter le centre d'assistance à la clientèle pour commander un joint d'entretien. Appuyer sur le joint pour l'enfoncer dans le rebord du panneau de la porte.
5. Fuites d'eau au niveau du montant recevant la gâche.	A. Ajuster la porte pour réduire l'écart entre la porte et le montant recevant la gâche. Se référer à la section "Ajuster et fixer la porte". B. Ajuster les montants du mur de manière à ce que la porte entre en contact avec le joint de la gâche. Se référer à la section "Ajuster et fixer la porte".
Fuites de vapeur	
REMARQUE : Ce produit est conçu pour permettre à une certaine quantité de vapeur de s'échapper afin de permettre une circulation d'air appropriée.	
1. Fuites de vapeur autour des montants du mur/au-dessus du rail supérieur.	A. Laisser la zone avec fuite sécher entièrement. Appliquer de la silicone au niveau de tous les points de fuite.
2. Fuites de vapeur autour du montant recevant la gâche.	A. Ajuster la porte pour réduire l'écart entre la porte et le montant recevant la gâche. Se référer à la section "Ajuster et fixer la porte". B. Ajuster les montants du mur de manière à ce que la porte entre en contact avec le joint de la gâche. Se référer à la section "Ajuster et fixer la porte".
Fonctionnement de la porte	
1. La porte frappe contre le seuil.	A. Ajuster la porte pour augmenter l'écart entre la porte et le montant recevant la gâche à 1/4" (6 mm). Se référer à la section "Ajuster et fixer la porte".
2. La porte s'ouvre/se ferme avec difficulté.	A. Ajuster la porte pour augmenter l'écart entre la porte et le montant recevant la gâche de manière à ce que les loquets ne soient pas engagés de manière aussi serrée. Se référer à la section "Ajuster et fixer la porte". B. Ajuster les montants du mur de manière à ce que la porte entre en contact avec le joint de la gâche. Se référer à la section "Ajuster et fixer la porte". C. Retirer les joints inférieurs de la porte et couper un segment. Réinstaller les joints.
3. La porte s'ouvre trop facilement ou se déverrouille toute seule.	A. Ajuster la porte pour réduire l'écart entre la porte et le montant recevant la gâche de manière à ce que les loquets soient engagés plus fermement. Se référer à la section "Ajuster et fixer la porte".
Fonctionnement de la fenêtre	

Dépannage (cont.)

1. Le panneau de fenêtre intérieur frotte et fait du bruit lors de son glissement.

A. S'assurer que les deux joints sont installés dans le rail supérieur. Se référer à la section "Installer le rail supérieur et le montant extensible".

B. S'assurer que le cadre en plastique est installé sur le bas du panneau qui se déplace. Se reporter à la section "Installer le panneau intérieur de la fenêtre".

C. S'assurer que le rail supérieur est installé avec le côté correct tourné vers l'extérieur de la douche. Se référer à la section "Installer le rail supérieur et le montant extensible".

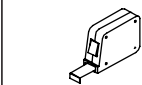
2. Le panneau intérieur de la fenêtre ne se ferme pas.

A. S'assurer que les remplisseurs de la fenêtre sont installés correctement. Se référer à la section "Installer les remplisseurs de la fenêtre".

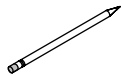
Guía de instalación

Puerta de ducha con marco y claraboya

Herramientas y materiales



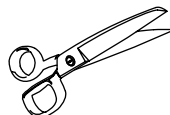
Cinta para medir



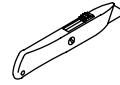
Lápiz



Lentes de seguridad



Tijeras



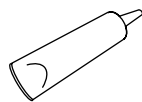
Cuchillo



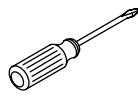
Taladro y variedad de brocas



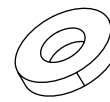
Nivel



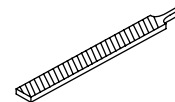
Sellador de silicona



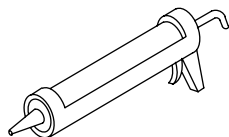
Destornillador Phillips



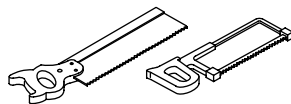
Cinta de enmascarar



Lima



Pistola para calafatear



Serrucho de costilla o sierra para metales con hoja de 32 dientes por pulgada



Llave hexagonal de 3/32" y 5/64" (provista)

Plus:

- Lona
- Mazo de goma
- Cuñas de madera
- Brocas de taladro 7/64", 1/8", 5/16", 3/8"

Antes de comenzar



PRECAUCIÓN: Riesgo de lesiones personales Utilice siempre lentes de seguridad al cortar o taladrar.



PRECAUCIÓN: Riesgo de lesiones personales o daños al producto No trate de cortar el vidrio templado. El vidrio templado se quiebra al tratar de cortarlo.

AVISO: No toque el borde del panel de vidrio templado con herramientas o con objetos duros. No coloque el borde del vidrio templado sin marco directamente sobre el piso. Esto reduce el riesgo de que se quiebre.

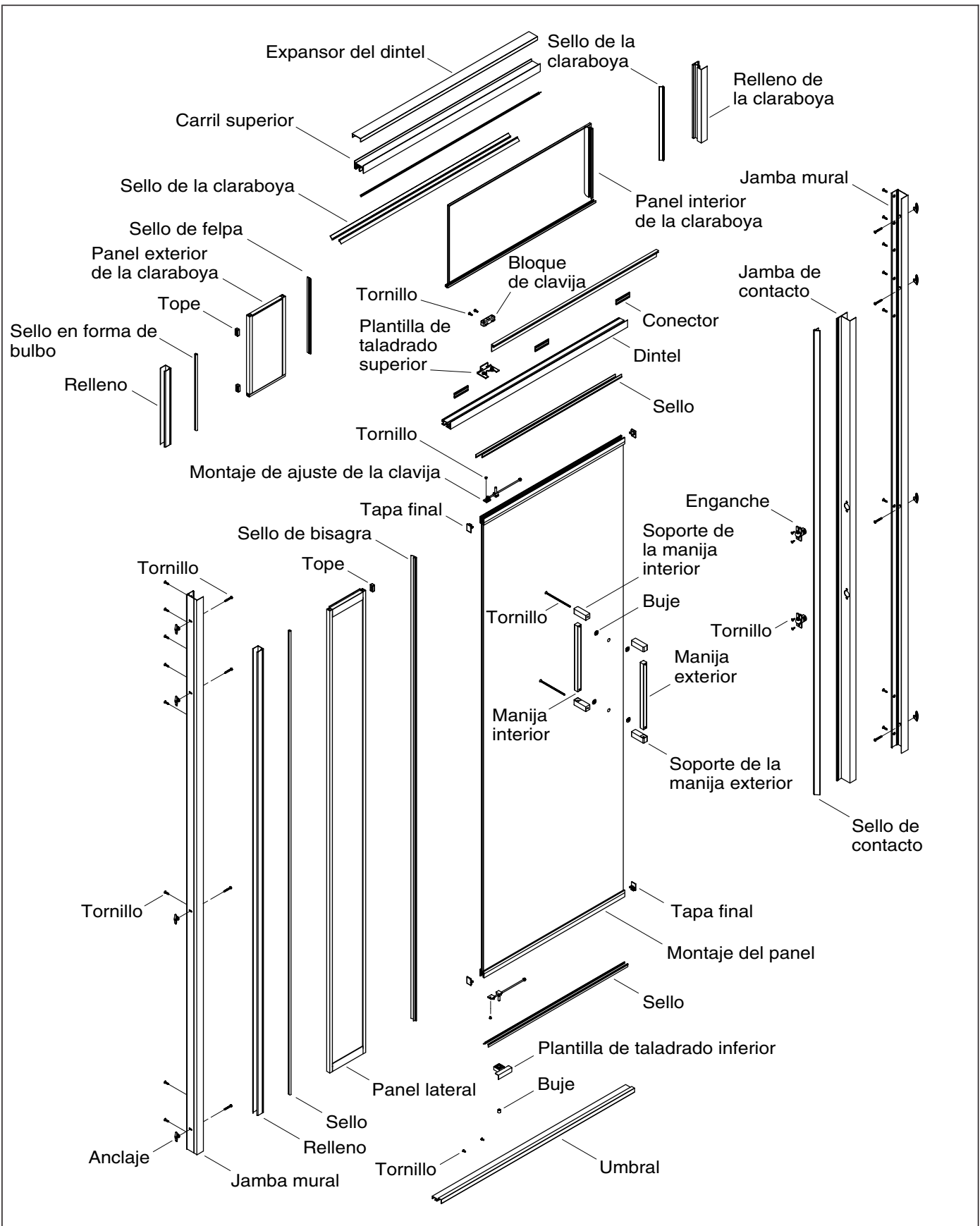
NOTA: Anote el número del modelo en la Guía del usuario. El número de modelo correcto le permite al representante de servicio al cliente ayudarle rápidamente en caso necesario.

¡IMPORTANTE! Esta puerta está diseñada para paredes que están fuera de plomada menos de 3/8" (1 cm). Verifique que el área donde se deba fijar la puerta esté a menos de 3/8" (1 cm) de plomada. Tal vez la puerta no funcione correctamente si la pared está más de 3/8" (1 cm) fuera de plomada.

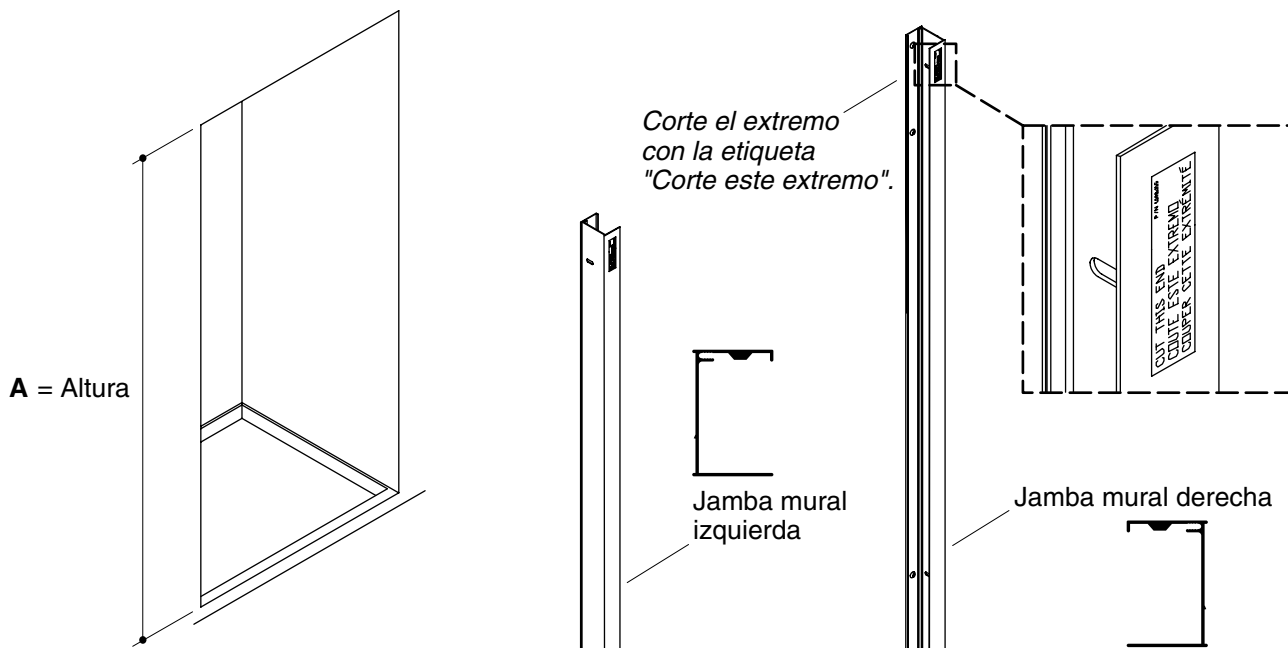
- Su nueva puerta Kohler se puede instalar con la abertura tanto hacia la derecha como hacia la izquierda. Para obtener mejores resultados, instale la puerta con el lado pivotante del lado opuesto a la cabeza de ducha. Estas instrucciones muestran la puerta instalada con una bisagra izquierda. Las puertas que se abren hacia la derecha deben instalarse al contrario.
- Antes de empezar la instalación, separe e identifique todas las piezas. Revise que no tengan daños.
- El receptor de la ducha debe estar instalado y preparado en este momento, incluyendo los materiales de la pared acabada.

Antes de comenzar (cont.)

- Coloque una lona en la parte inferior de la ducha para cubrir el desagüe y facilitar la limpieza.
- Siga atentamente las instrucciones respecto a la aplicación de sellador en la puerta. Podría haber fugas si se sella en áreas distintas a las que se muestran.
- Dos personas deben realizar esta instalación.
- Kohler Co. se reserva el derecho de modificar sin previo aviso el diseño de los productos, tal como se especifica en la lista de precios.



Identificación de las piezas



1. Determine la configuración de la puerta

¡**IMPORTANTE!** Las instrucciones de montaje dependen de la configuración del lado pivote que haya sido elegida (izquierda o derecha). Para los fines de estas instrucciones, se ilustra una instalación con "bisagra a la izquierda".

- Determine si la puerta debe pivotar en el lado derecho o izquierdo.

NOTA: La puerta debe estar abisagrada en el lado donde está el panel lateral.

- Asegúrese de que la puerta pueda abrirse por completo en la configuración elegida.
- La altura de la abertura "A" en su instalación debe ser entre 89" (226,1 cm) y 89-1/2" (227,3 cm).

2. Mida y corte las jambas murales

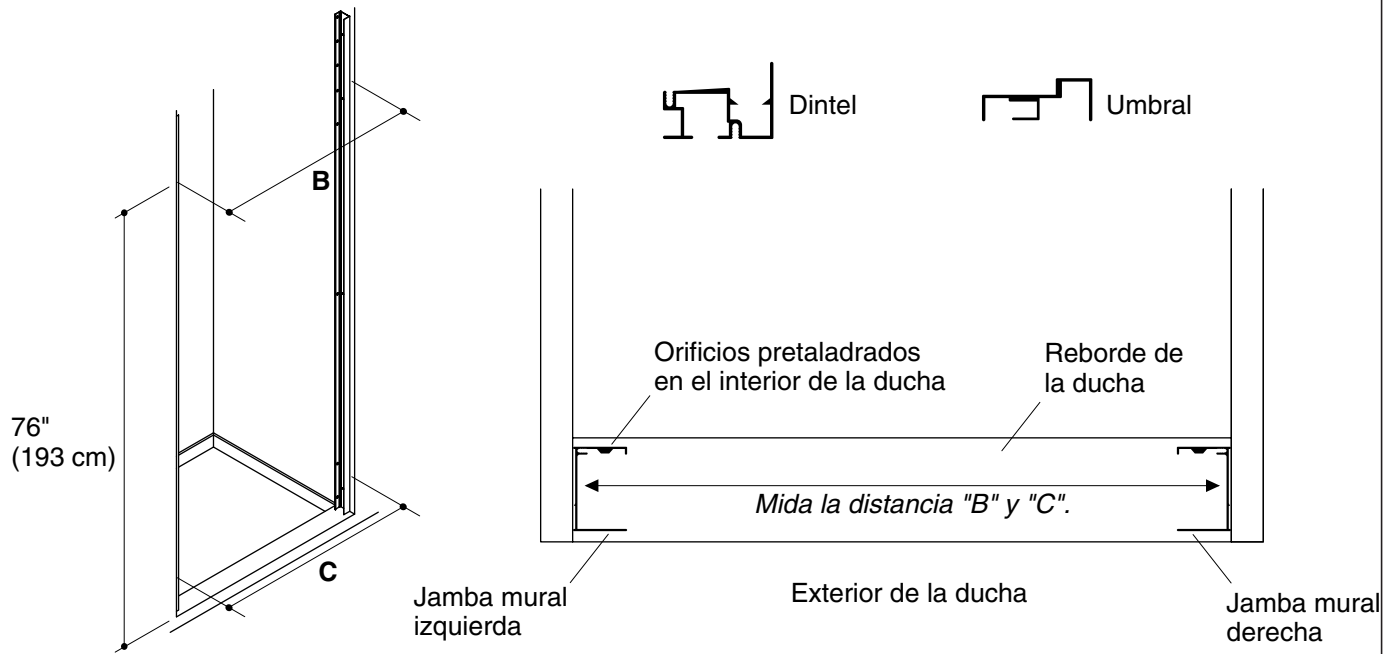


PRECAUCIÓN: Riesgo de lesiones personales Al cortar siempre utilice anteojos de seguridad.

¡**IMPORTANTE!** Las jambas murales deben quedar al ras contra las paredes laterales y el reborde de la ducha. Si la ducha tiene esquinas curvadas donde las paredes laterales hacen contacto con el reborde, puede que sea necesario contornear con una lima el extremo inferior de las jambas murales.

NOTA: Una etiqueta marca la parte superior de cada una de las jambas murales. No retire las etiquetas mientras no haya instalado las jambas murales.

- Con cuidado mida la altura "A" de la abertura acabada. Consulte el diagrama de instalación para verificar que la puerta encaje en la abertura acabada.
- Corte las jambas murales a esta medida. Asegúrese de cortar el lado marcado "Corte este extremo". Para obtener mejores resultados, utilice una hoja de sierra para metales de 32 dientes por pulgada y una caja de ingletes.

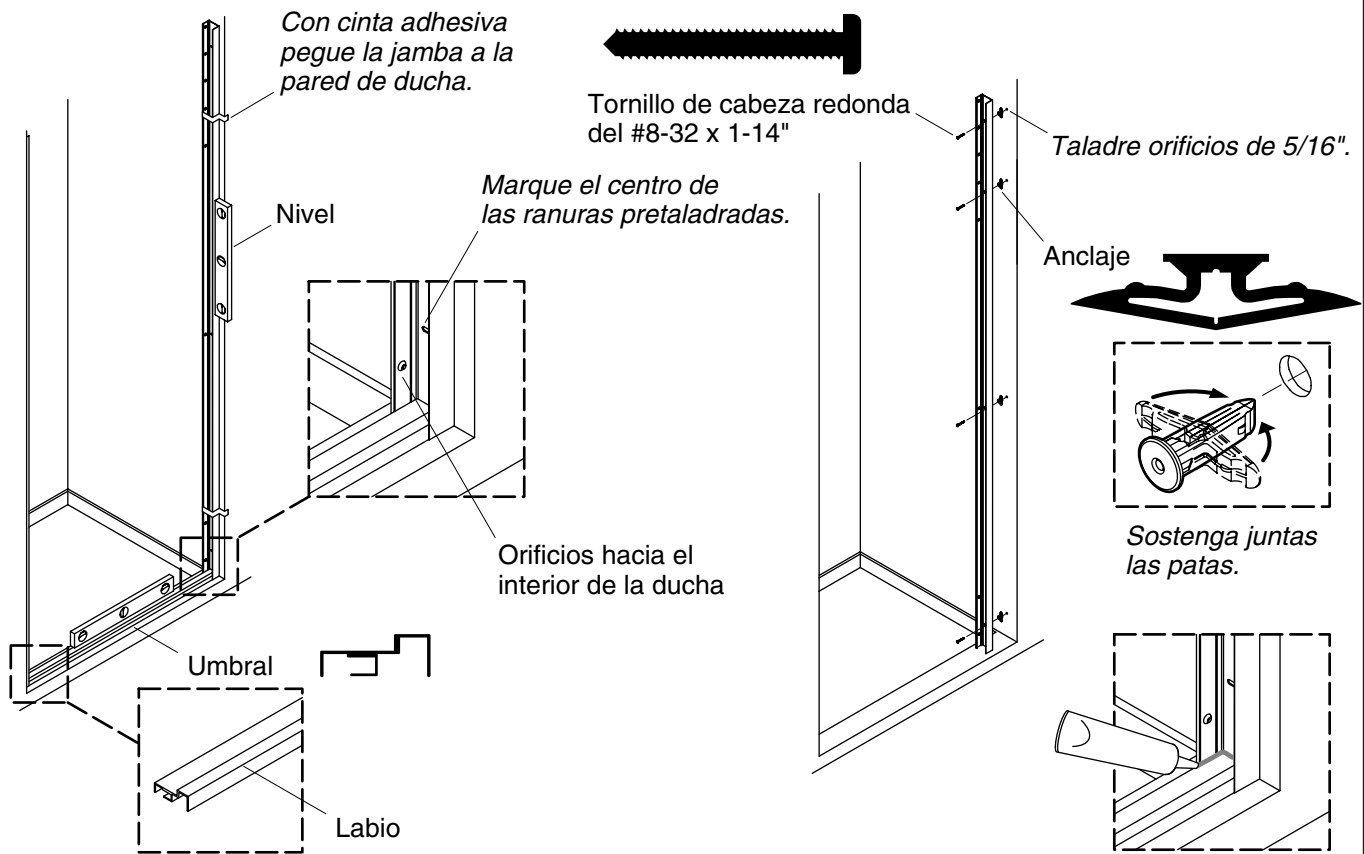


3. Mida y corte el dintel y el umbral



PRECAUCIÓN: Riesgo de lesiones personales Al cortar siempre utilice anteojos de seguridad.

- Fije temporalmente con cinta de enmascarar las jambas murales a las paredes laterales de la abertura acabada. Oriente las jambas murales de tal forma que los orificios para los tornillos queden de cara al interior de la ducha y la etiqueta que indica "Parte superior" quede hacia arriba.
- Mida con cuidado la distancia (B) entre la parte superior de las jambas murales, 76" (193 cm) sobre el reborde de la ducha. Marque esta distancia en el dintel.
- Mida con cuidado la distancia (C) entre la parte inferior de las jambas murales. Marque esta distancia en el umbral.
- Corte a lo largo del interior de la línea marcada para cortar el dintel, el extensor, y el umbral a la longitud deseada.
- Utilice una lima para eliminar las rebabas donde se hayan hecho los cortes.



4. Instale las jambas murales y el umbral

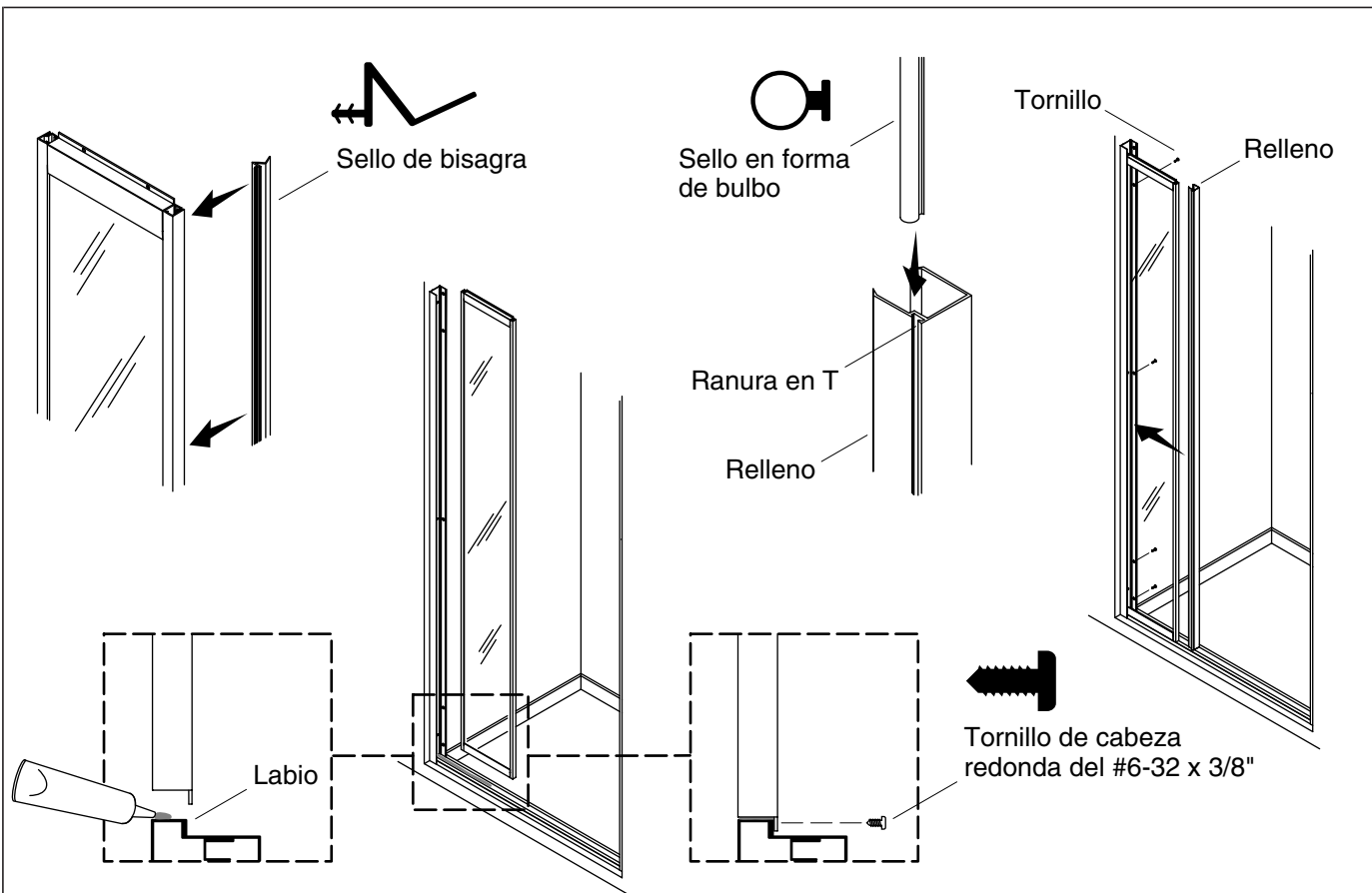
- Meta los extremos del umbral entre las jambas murales con el labio hacia el exterior de la ducha.
- Verifique que el umbral quede plano en el reborde de la ducha. Ajuste las jambas murales y el umbral lo que sea necesario para asegurar que el umbral quede paralelo a lo largo del reborde de la ducha.
- Coloque ambas jambas murales a plomada por medio de un nivel.
- Con un lápiz marque la posición de la parte inferior de ambas jambas murales en el reborde de la ducha y en la pared cercana a la parte superior de las jambas murales.
- Marque los centros de las cuatro ranuras de las jambas murales en la pared de la ducha.
- Retire las jambas murales y el umbral.
- Taladre orificios de 5/16" en los lugares marcados.
- Limpie bien el reborde de la ducha.
- Instale los anclajes de pared en los orificios taladrados.

¡IMPORTANTE! Si el reborde del receptor de su ducha no está plano, debe colocar una cuña en el umbral de tal forma que quede plano y nivelado.

- Usando las marcas como referencia, vuelva a colocar el umbral y las jambas murales en la abertura para la ducha.
- Fije las jambas murales a la pared de la ducha con tornillos de cabeza redonda #8-18 x 1-1/4".
- Verifique que las jambas murales queden a plomada. Haga los ajustes necesarios.
- Aplique sellador de silicona en la intersección en que cada una de las jambas murales se encuentra con el umbral.

Instale las jambas murales y el umbral (cont.)

- Retire las etiquetas de las jambas murales.



5. Instale el panel lateral

Instale el panel lateral

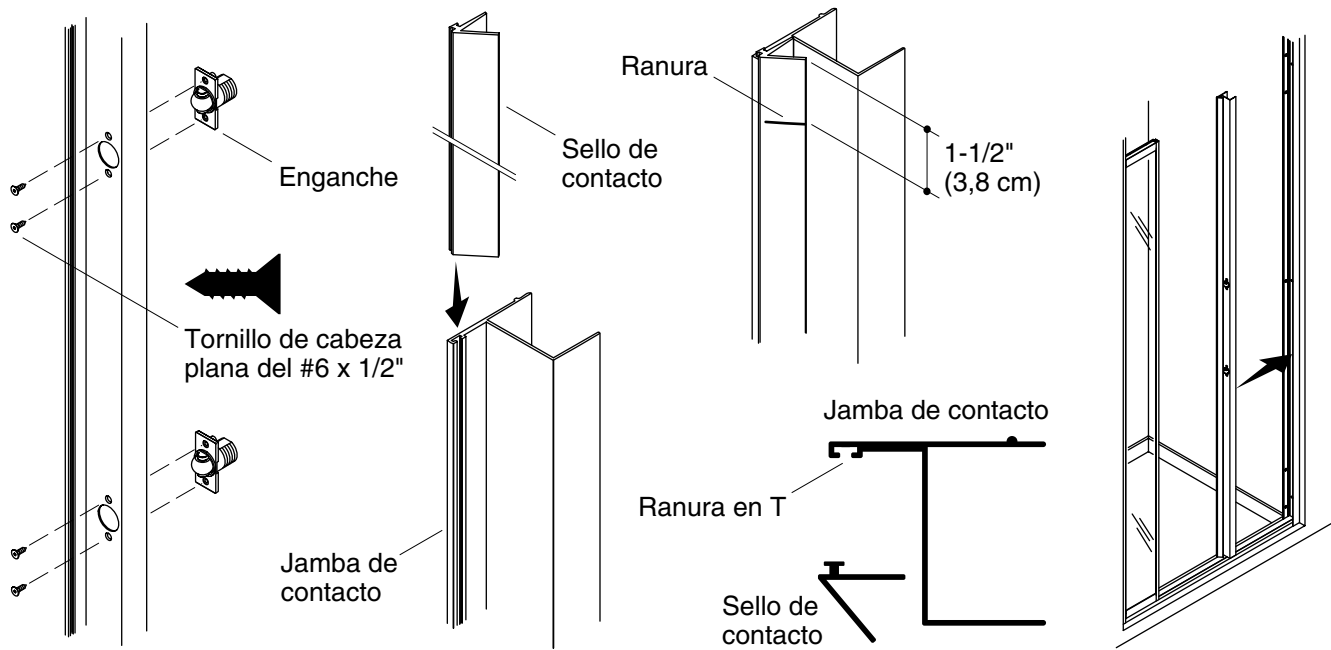
- Mida el ancho del panel lateral.
- A partir de la jamba mural donde el panel lateral va a ser instalado, marque el ancho medido en el umbral.
- Aplique una tira de sellador de silicona a lo largo de la parte superior del umbral desde la jamba mural hasta el lugar marcado.
- Oriente el panel lateral con la etiqueta hacia la jamba mural y el labio inferior hacia el interior de la ducha.
- Coloque el panel lateral en el umbral y deslícelo a que quede al ras contra la jamba mural.
- Verifique que el panel lateral quede al ras en el umbral.
- Con una broca de 7/64" taladre un orificio en el umbral a través de cada uno de los 2 orificios ya taladrados en el labio del panel lateral.
- Fije el panel lateral al umbral con dos tornillos de cabeza redonda #6-32 x 3/8".

Instale el panel de relleno lateral

- Deslice el sello en forma de bulbo en la ranura en T en el relleno.
- Utilice unas tijeras o un cuchillo para recortar el exceso del sello en forma de bulbo, de manera que el sello quede al ras con la parte superior del relleno.
- Desde el interior de la ducha, introduzca el relleno entre el panel lateral de la jamba mural con el sello en forma de bulbo y la superficie plana del relleno hacia el panel lateral.
- Utilizando los orificios ya taladrados en la jamba mural, taladre orificios de 1/8" en el relleno.

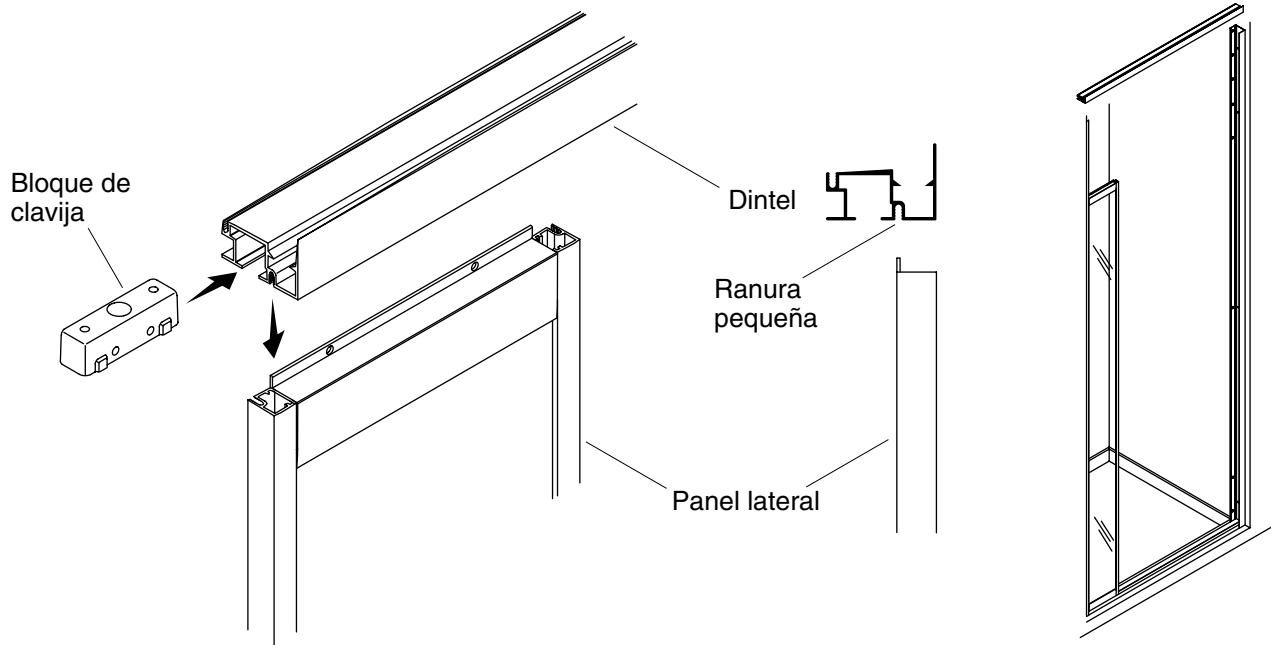
Instale el panel lateral (cont.)

- Con una llave hexagonal de 3/32", fije el relleno a la jamba mural con cuatro tornillos de cabeza plana #8 x 3/4".
- Oprima el sello de bisagra en el canal en el interior del marco del panel lateral.
- Recorte la lengüeta del sello de bisagra 1-1/4" (3,2 cm) a cada extremo. Esto permite que la puerta se cierre por completo.



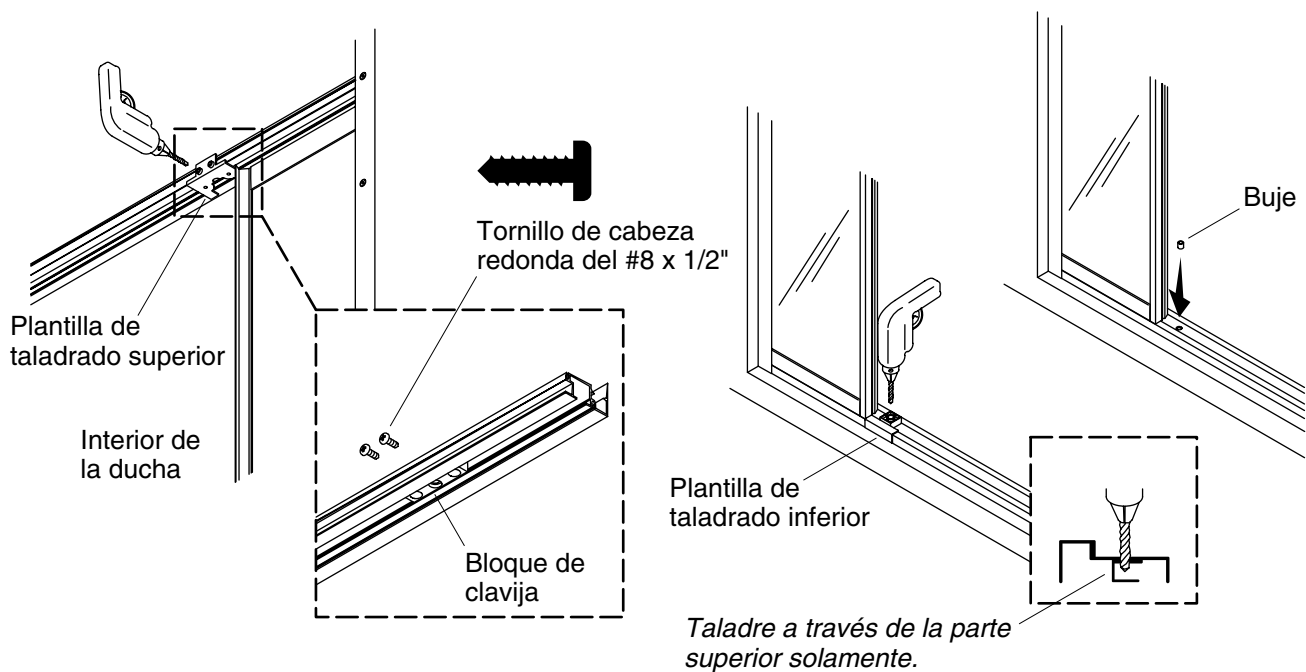
6. Instale la jamba de contacto

- Coloque el pestillo en la jamba de contacto.
- Con la llave hexagonal de 5/64" provista, fije el pestillo en su lugar con dos tornillos de cabeza plana #6 x 1/2".
- Repita este procedimiento con el segundo pestillo.
- Deslice el sello en forma de bulbo en la ranura en T en la jamba de contacto. No recorte el sello.
- Corte una ranura horizontal en la lengüeta del sello a 1-1/2" (3,8 cm) de cada uno de los extremos.
- Inserte la jamba de contacto dentro de la jamba mural como se muestra. Fíjela temporalmente en su lugar con cinta de enmascarar.



7. Ubique el dintel

- Deslice el bloque de clavija en el dintel.
- Coloque el dintel entre las jambas murales con el labio hacia arriba y hacia el exterior de la ducha.
- Coloque el dintel en su lugar sobre el panel lateral y la jamba de contacto. Verifique que el labio en el marco lateral del panel esté metido en la ranura pequeña del dintel.



8. Instale el bloque de clavija y el buje

Asegure el bloque de clavija

- Introduzca la plantilla de taladro superior en el bloque de clavija.
- Deslice la plantilla con el bloque de clavija al ras contra el panel lateral.

¡IMPORTANTE! Use los orificios laterales en la plantilla de taladro superior para esta instalación. No taladre a través de los orificios inferiores de la plantilla.

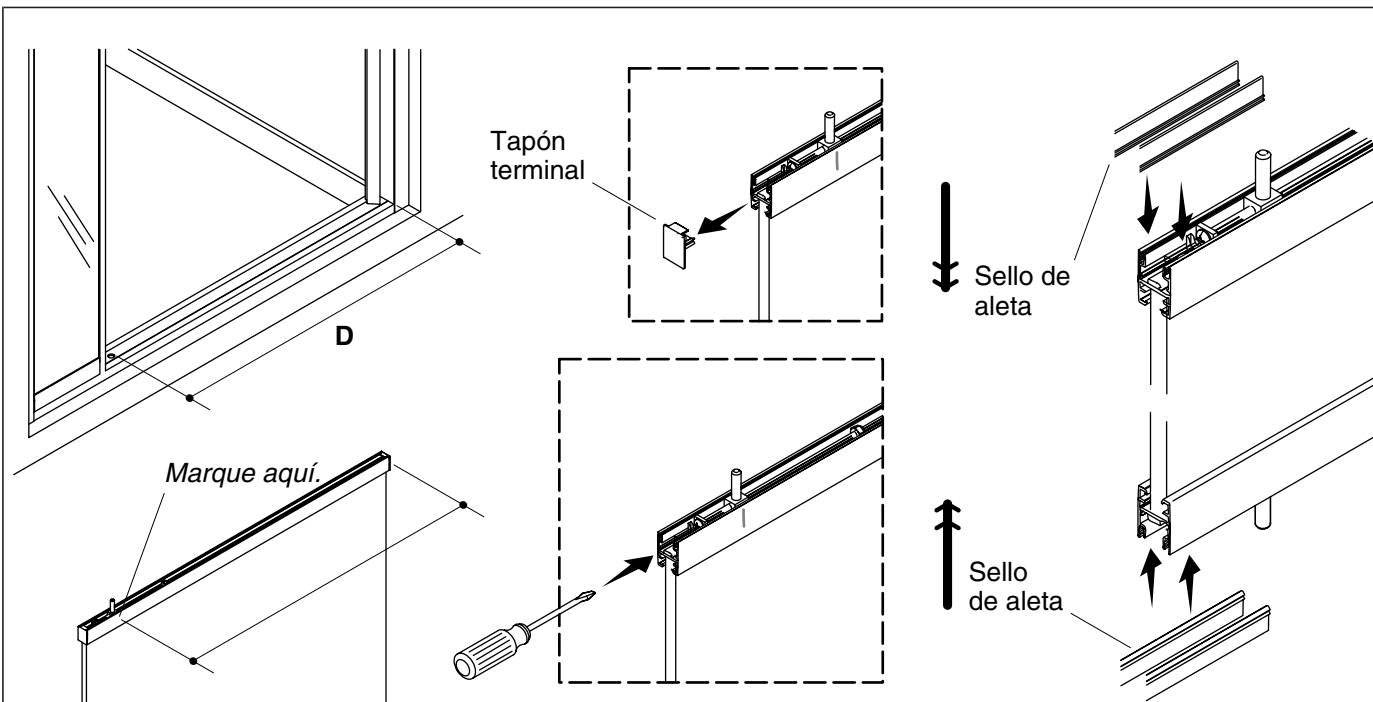
- Desde el interior de la ducha, sujete la plantilla de taladro superior y el bloque de clavija en su lugar. Usando una de las guías de orificios laterales, taladre un orificio de 1/8" dentro del dintel.
- Retire la plantilla y asegure el bloque de clavija al dintel con un tornillo de cabeza redonda #8 x 1/2".
- Cambie de lugar la plantilla de taladro superior y el bloque de clavija y taladre el segundo orificio de 1/8" en la parte lateral del dintel.
- Retire la plantilla y asegure el bloque de clavija al dintel con un tornillo de cabeza redonda #8 x 1/2".

Instale el buje

- Coloque la plantilla de taladro inferior sobre el umbral y al ras contra el panel lateral.

¡IMPORTANTE! Taladre sólo en la superficie superior del umbral. No taladre a través de los orificios inferiores del umbral.

- Sujete la plantilla en su lugar y taladre un orificio de 3/8" en la parte superior del umbral.
- Use un mazo de goma para martillar el buje de metal en el orificio taladrado.



9. Ensamble la puerta

NOTA: Deje un pequeño espacio para la jamba de contacto en el lado de la puerta donde está la manija. La puerta no cierra bien si no se deja este espacio.



PRECAUCIÓN: Riesgo de lesiones personales o daños al producto El vidrio templado sin marco no debe tocar superficies duras, ya que se puede quebrar. No toque el borde del panel de vidrio templado con herramientas o con objetos duros. No coloque el vidrio templado sin marco directamente sobre el piso.

Coloque los pasadores de ubicación en el panel de la puerta

- Mida la distancia "D" entre la jamba de contacto y el borde del buje en el umbral.
- Mida del borde del vidrio con orificios, marque la distancia "D" en los marcos superior e inferior del panel de la puerta.

¡IMPORTANTE! Riesgo de daños al producto No saque las tapas de los extremos haciendo palanca contra el borde del vidrio. Si se toca el borde del panel de vidrio templado con herramientas o con objetos duros aumenta el riesgo de que se quiebre. Se pueden usar una cuña de madera y un mazo de goma para sacar las tapas dando golpecitos con cuidado.

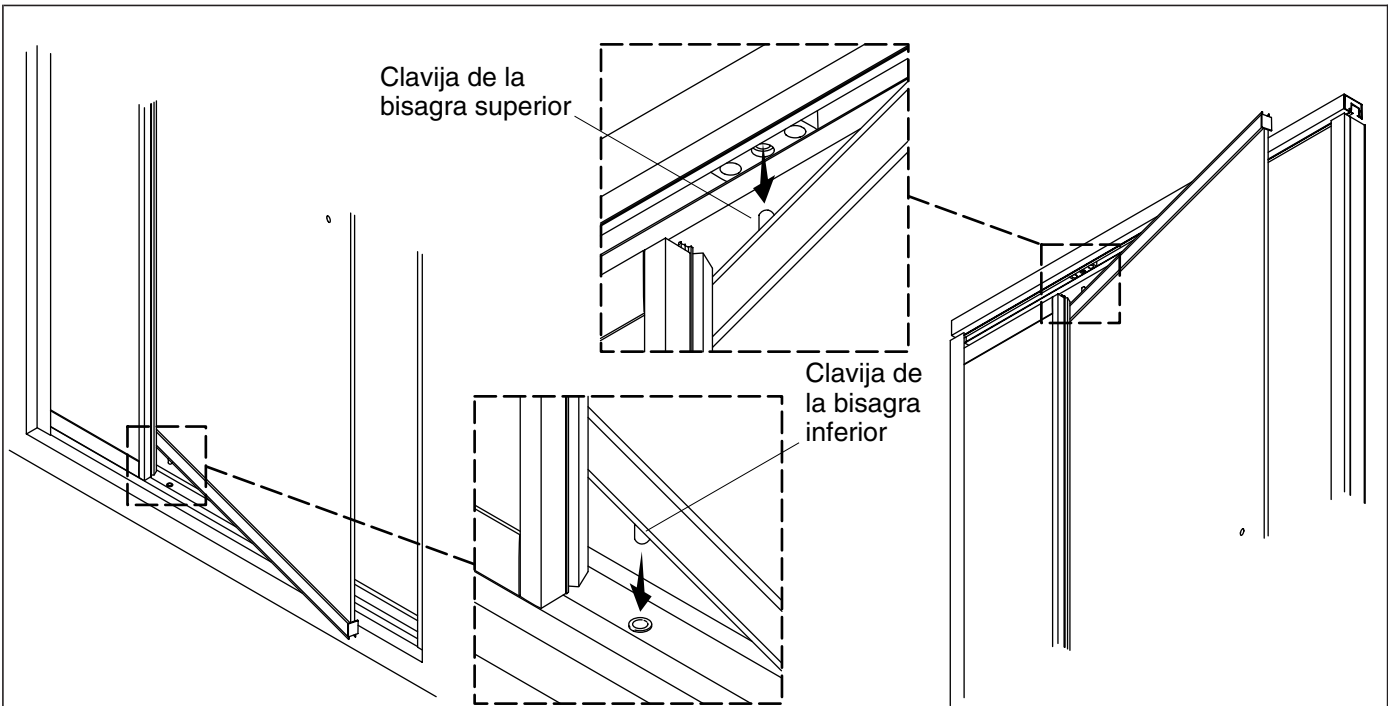
- Saque las tapas de los extremos ya ensambladas del lado de las clavijas en los marcos superior e inferior de la puerta para obtener acceso a las clavijas de ajuste. **Coloque las tapas de los extremos a un lado.**
- Con un destornillador Phillips, gire el ajustador de clavija superior para mover la clavija a la marca en el marco. Haga girar el tornillo hacia la derecha para acercar la clavija al borde del vidrio.
- Repita con el ajustador de clavija inferior. No apriete las tapas de los extremos en este momento.

Instale los sellos en el panel de la puerta

- Oprima un sello de aleta en cada uno de los dos canales en el marco superior y en el marco inferior del panel de la puerta.
- Asegúrese de que cada uno de los sellos esté completamente dentro de los canales a todo lo largo de la longitud del marco. Cuando esté completamente dentro, la parte expuesta del sello será de 1/4" (6 mm) o menos.

Ensamble la puerta (cont.)

- De ser necesario, recorte el exceso de sello a la misma longitud que los marcos superior e inferior.



10. Instale la puerta

¡IMPORTANTE! Este paso requiere dos personas.

- Con la calcomanía de "CleanCoat" hacia la parte exterior de la ducha, levante el panel de la puerta y guíe la clavija inferior de la puerta hacia dentro del buje en el umbral.
- Levante el dintel y coloque la clavija superior de la puerta dentro del buje en el bloque de clavija.
- Oprima el dintel hacia abajo a su lugar, asegurándose de que el marco del panel lateral quede bien metido en el dintel.

Instalador #1

- Levante la puerta a una posición tal en la que la clavija de la bisagra inferior quede arriba del buje en el umbral.
- **Con cuidado** baje la puerta para que la clavija de bisagra entre en el buje inferior. Sostenga la puerta en su lugar mientras el instalador #2 alinea la clavija de bisagra superior.

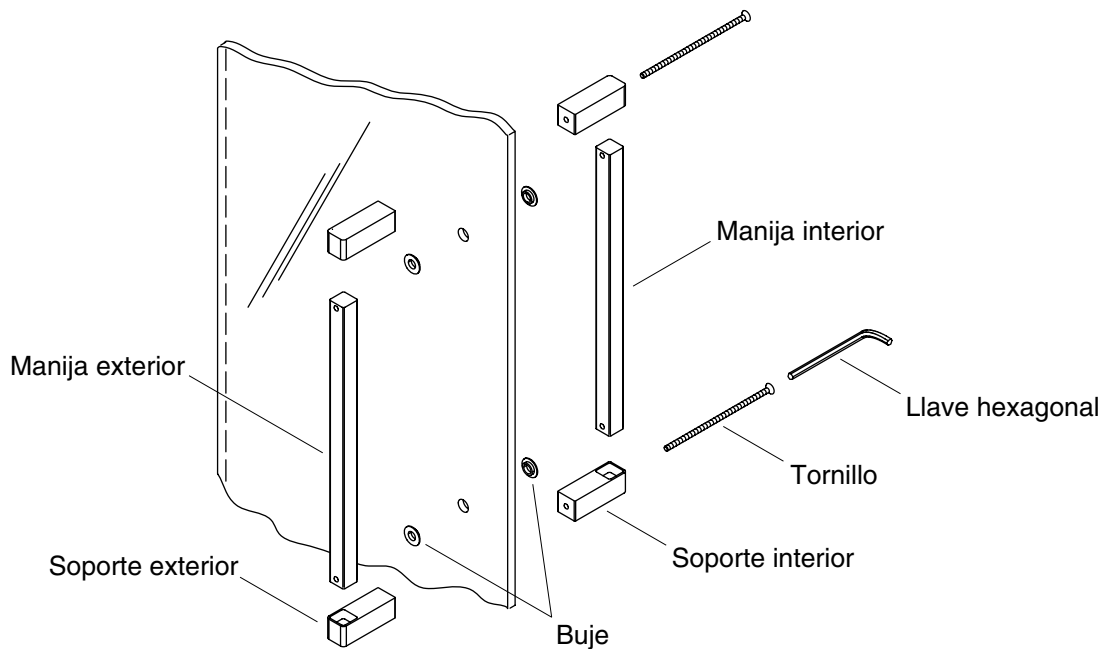
Instalador #2

- Levante el dintel y coloque la puerta de tal forma que la clavija de la bisagra superior quede alineada con el buje en el bloque de clavija unido al dintel.
- Presione el dintel hacia abajo a su lugar. Verifique que el labio en el marco lateral del panel esté metido en la ranura pequeña del dintel.

NOTA: Es posible que la puerta necesite ajuste; no haga los ajustes finales mientras no haya instalado el dintel o la manija.

Asegure el dintel

- Desde el interior de la ducha, verifique que el labio en el marco lateral del panel esté metido en la ranura pequeña del dintel.
- Utilizando los orificios ya taladrados en la jamba mural, taladre orificios de 1/8" en el dintel.
- Asegure el dintel en su lugar con dos tornillos de cabeza plana #8 x 3/4".

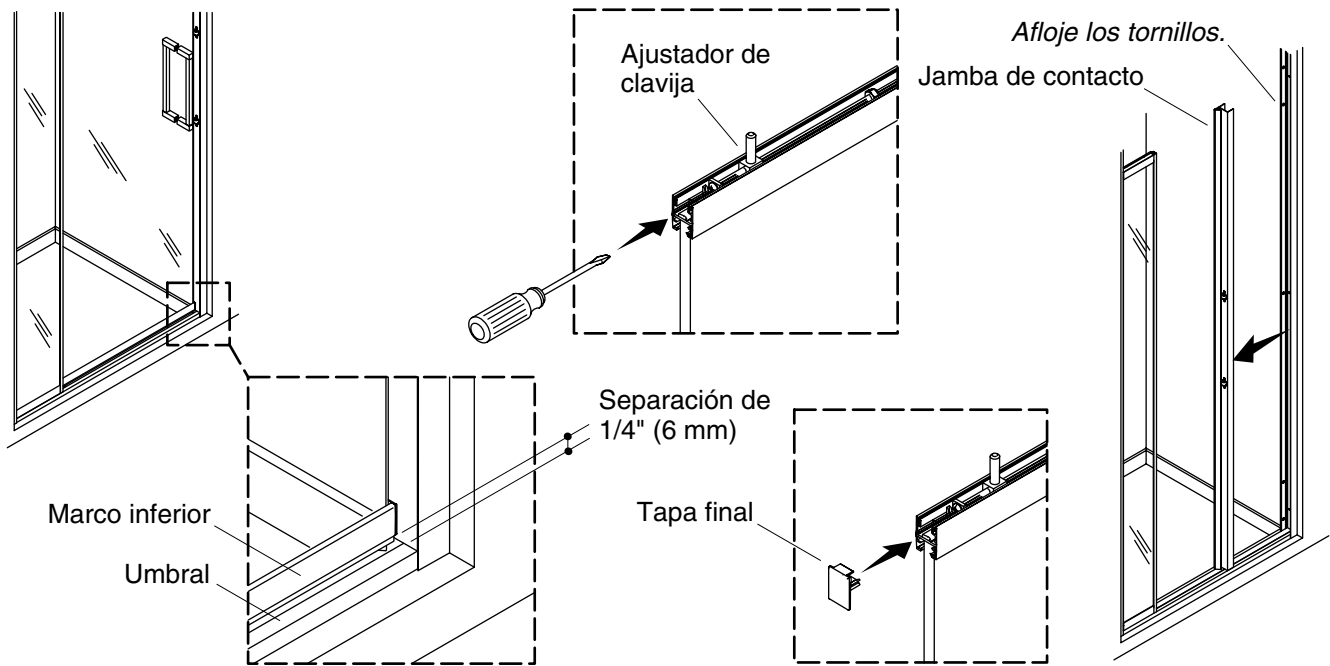


11. Instale las manijas

- Identifique la manija y los soportes interiores – con orificios sin cuerda. Ensamble los soportes y la manija interiores con 2 tornillos de cabeza plana #8 x 4-1/2", como se indica.
- Coloque un buje en cada uno de los tornillos, como se muestra.
- Coloque el montaje de la manija interior en el panel de la puerta introduciendo con cuidado los dos tornillos a través de los orificios en el vidrio.
- Coloque un segundo buje en cada tornillo y dentro de los orificios en el vidrio.
- Monte los soportes exteriores y la manija como se indica, y únalos a la manija interior apretando los tornillos a mano.

AVISO: No apriete demasiado. Apretar demasiado puede causar daños al panel de la puerta.

- Con la llave hexagonal provista de 3/32", apriete los dos tornillos para fijar la manija en su lugar.



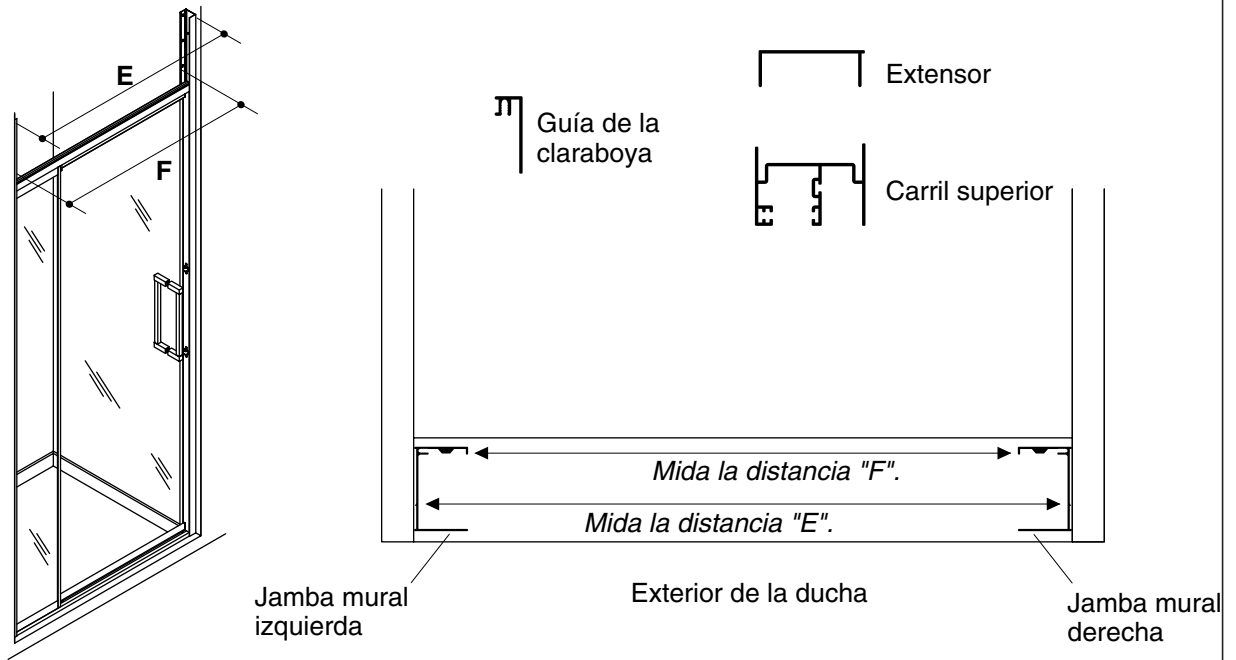
12. Ajuste y fije la puerta

Para ajustar el panel de la puerta

- Abra la puerta para obtener acceso a los ajustadores de clavijas que se encuentran en los marcos superior e inferior en el lado pivote del panel de vidrio.
- Con un destornillador Phillips, gire el ajustador de clavija superior para mover la clavija a la marca en el marco. Haga girar el tornillo hacia la derecha para acercar la clavija al borde del vidrio.
- Ajuste la puerta de tal forma que quede un espacio de por lo menos 1/4" (6 mm) entre el marco inferior y la parte superior del umbral.
- La puerta debe quedar alineada de manera uniforme a lo largo de la jamba de contacto, y debe poder abrirse sin dificultad sin que las tapas de los extremos golpeen la jamba de contacto. Si las tapas de los extremos llegaron a golpear la jamba de contacto, será necesario hacer más ajustes a la puerta o a la jamba de contacto.
- Asegúrese de que el panel de la puerta comprima el sello de la jamba mural a lo largo de toda la longitud de la puerta. Si hay un espacio en la parte superior o inferior, la jamba mural debe ser ajustada.
- Si la jamba mural requiere ajuste, retire la jamba mural y afloje los tornillos que sostienen la jamba mural en su lugar (no los quite). Mueva la jamba mural lo que sea necesario y apriete los tornillos.
- Revise cómo abre y cierra la puerta para asegurarse de que los bordes del vidrio hagan contacto con los pestillos.
- Vuelva a instalar las tapas de extremo en los marcos superior e inferior del panel de la puerta golpeándolos ligeramente en su lugar con un mazo de goma.
- Si las tapas de los extremos quedan sueltas al volverlas a instalar; retírelas, aplíqueles sellador de silicona y vuelva a instalarlas.

Para asegurar la jamba de contacto

- Desde el interior de la ducha, use como guía los orificios ya taladrados en la jamba mural y taladre orificios de 1/8" en la jamba de contacto.
- Fije la jamba mural en su lugar con cuatro tornillos de cabeza plana #8-18 x 2". No apriete demasiado.



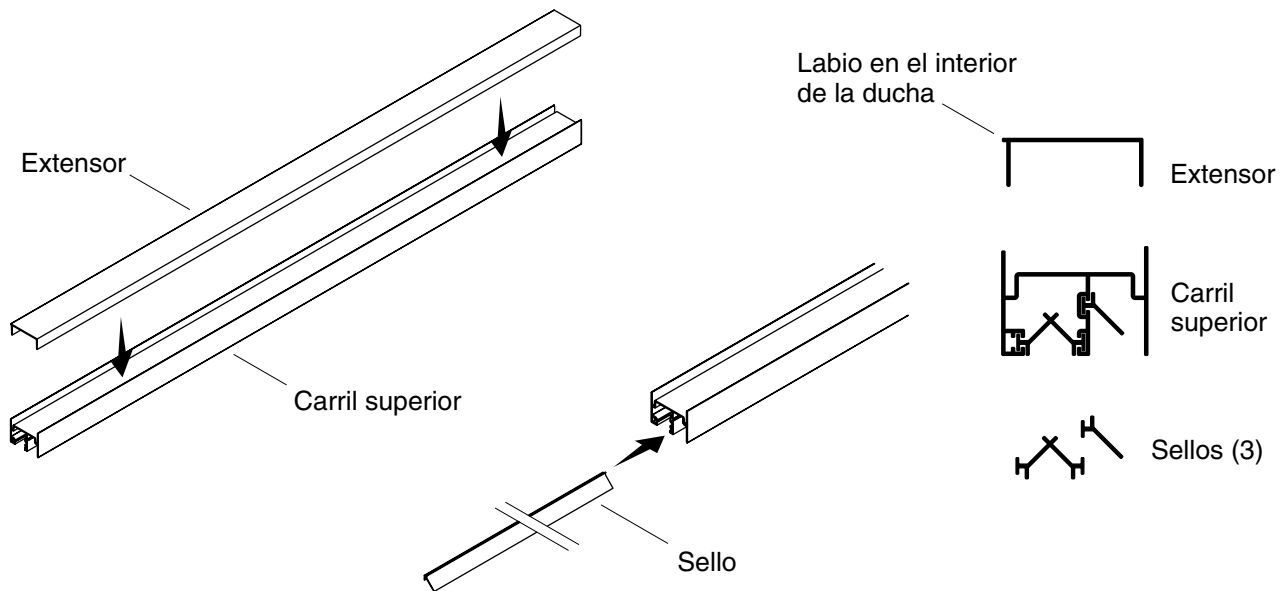
13. Corte el carril superior y el extensor

Corte el carril superior y el extensor

- Mida la distancia "E" como se indica en la parte superior de las jambas murales.
- Reste 1/8" (3 mm) de la dimensión "D"
- Transfiera esta medición al carril superior y al extensor.
- Corte el carril superior y el extensor a lo largo de la línea marcada.

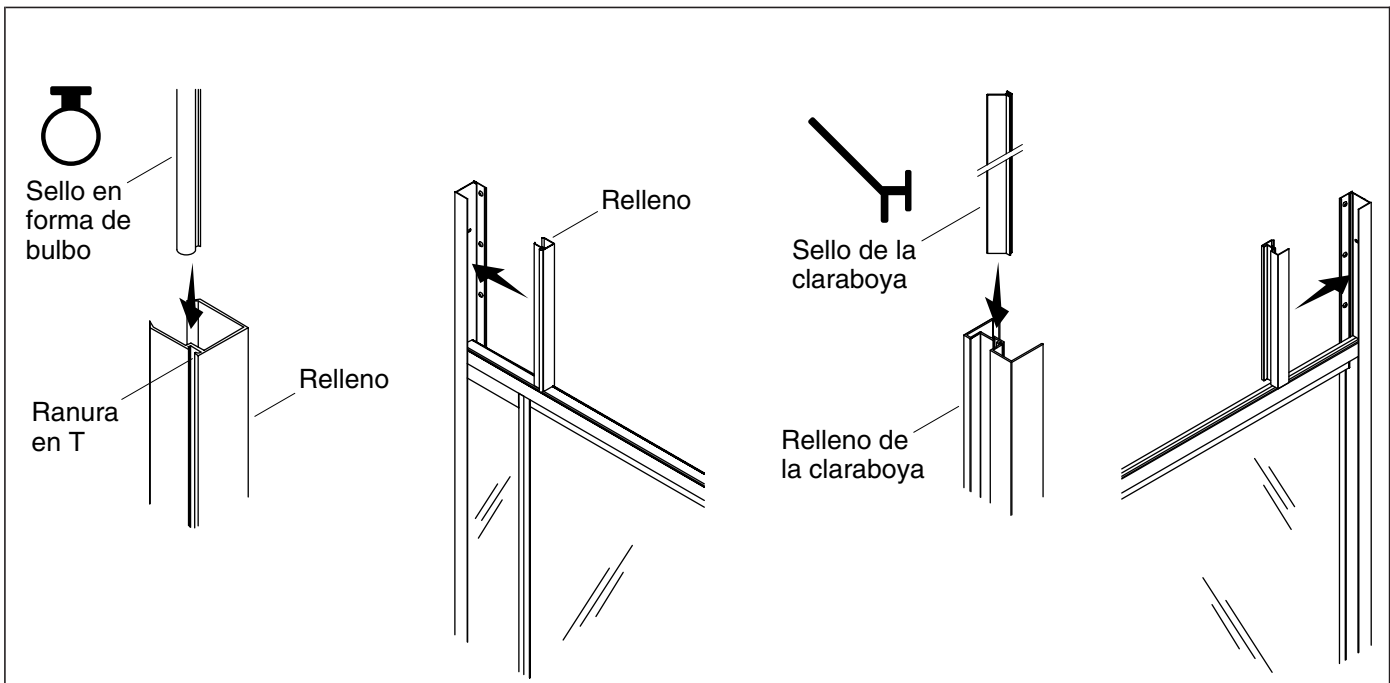
Guía de la claraboya

- Mida la distancia "F" sobre el dintel, entre las jambas murales.
- Transfiera esta medición a la guía de la claraboya.
- Corte la guía de la claraboya a lo largo del interior de la línea marcada.



14. Instale el carril superior y el extensor

- Corte los tres sellos de claraboya a la misma longitud que el carril superior.
- Deslice los sellos de claraboya en las ranuras en T del carril superior, como se indica.
- Introduzca el extensor en el carril superior con el labio del mismo lado que el canal de 2 sellos del carril superior.
- Oriente el montaje del carril superior de forma que el labio y los dos sellos queden hacia el interior de la ducha.
- Introduzca el montaje del carril superior entre las jambas murales, inclinando el montaje y deslizando los extremos dentro de las jambas murales.
- Empuje el montaje del carril superior hacia arriba hasta el techo, y péguelo con cinta adhesiva temporalmente en su lugar.



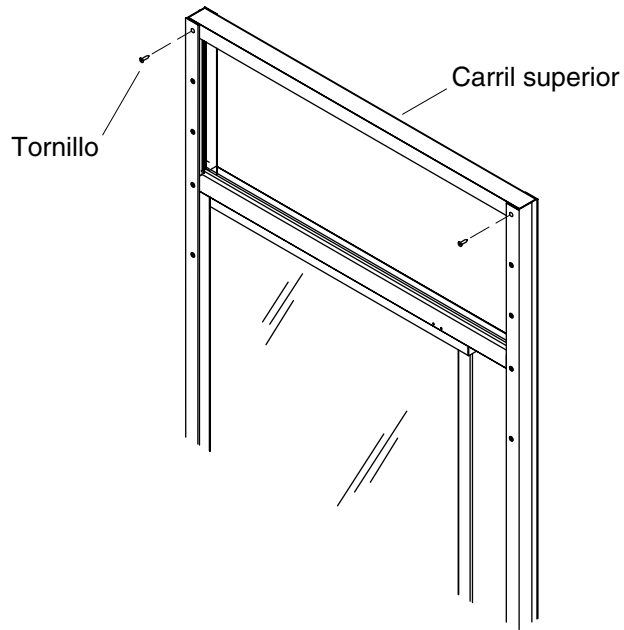
15. Instale los rellenos de la claraboya

Relleno lateral de la claraboya del panel lateral

- Corte el sello en forma de bulbo a una longitud de 12" (30,5 cm).
- Deslice el sello en forma de bulbo en la ranura en T en el relleno.
- Coloque el relleno en la jamba mural sobre el panel lateral con la superficie plana del relleno hacia fuera y el sello en forma de bulbo hacia el exterior de la ducha. No lo fije en este momento.

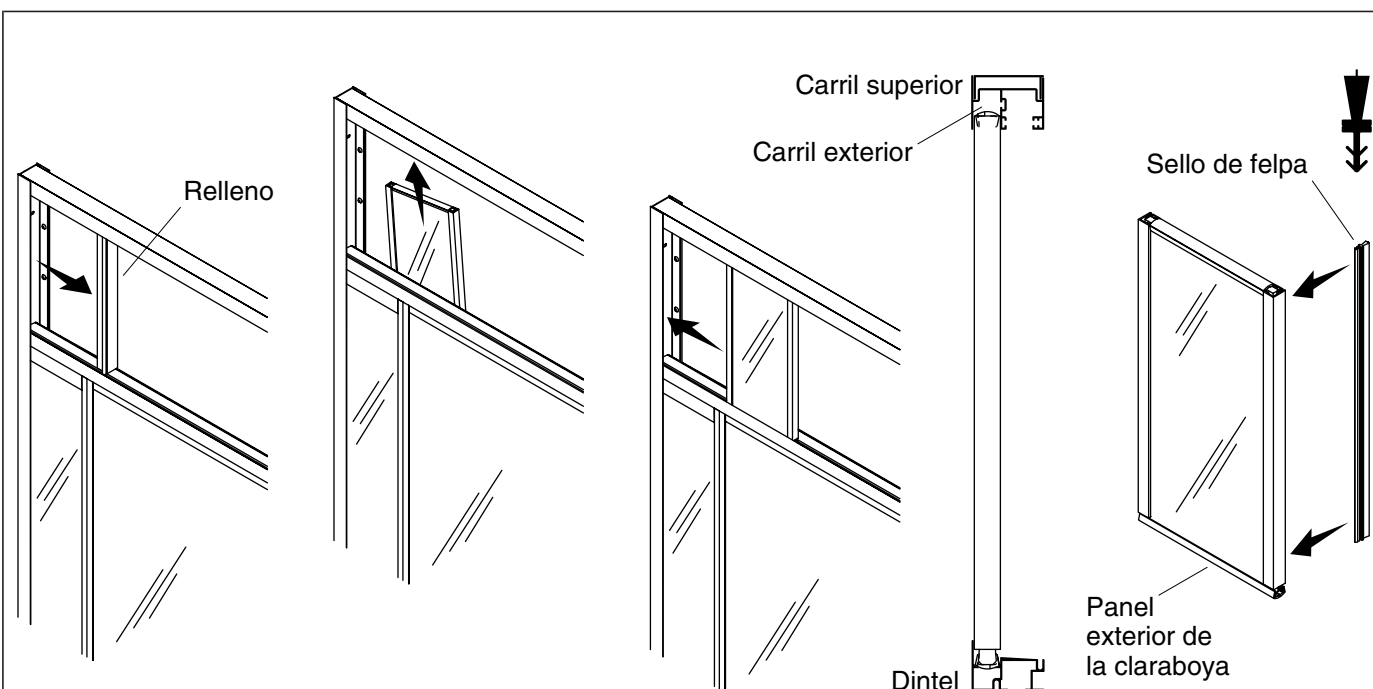
Relleno de la claraboya del lado de contacto

- Corte el sello de la claraboya a una longitud de 12" (30,5 cm).
- Deslice el sello de la claraboya en la ranura en T en el relleno de la claraboya.
- Instale el relleno en la jamba mural sobre la jamba de contacto, con el sello de la claraboya hacia el interior de la ducha.
- Utilizando como guía los orificios taladrados con anticipación en la jamba mural, taladre orificios de 1/8" en el relleno de la claraboya.
- Asegure el relleno de la claraboya a la jamba mural con dos tornillos #8 x 1/2".



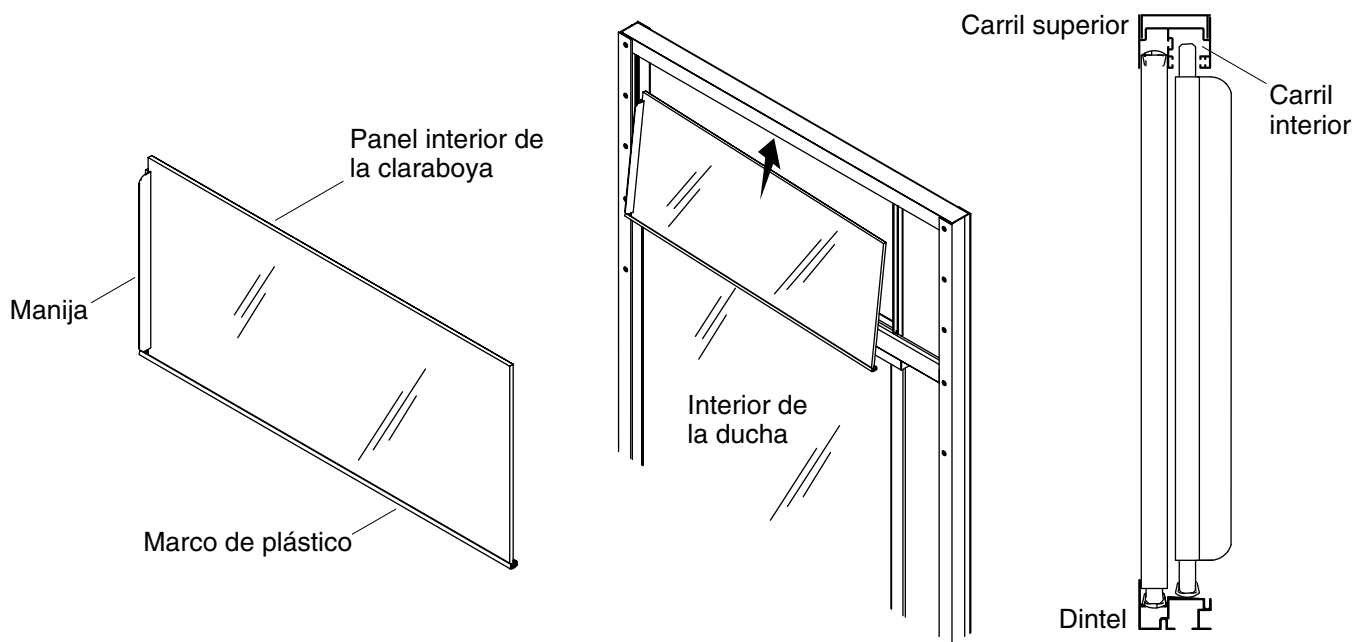
16. Asegure el carril superior

- Retire la cinta adhesiva del montaje del carril superior.
- Baje el montaje superior a que descanse en la parte superior de ambos rellenos.
- Utilizando como guía los orificios taladrados con anticipación en la jamba mural, taladre orificios de 1/8" en el carril superior.
- Fije el carril superior con dos tornillos de cabeza plana #8-18 x 3/8".



17. Instale el panel exterior de la claraboya

- Retire el relleno de arriba del panel lateral.
- Identifique la parte superior del panel exterior de la claraboya - los dos marcos laterales de metal están al ras con el marco de plástico.
- desde el interior de la ducha, levante e incline el panel exterior de la claraboya hacia dentro del carril exterior del carril superior.
- Incline la parte inferior del panel hacia el dintel hasta que quede asentado en el carril en la parte superior del dintel.
- Deslice el panel hacia la jamba mural y deje alineado el marco lateral con el marco en el panel lateral.
- Vuelva a instalar el relleno entre la jamba mural y el panel con el sello en forma de bulbo hacia el panel.
- Utilizando los orificios ya taladrados en la jamba mural, taladre orificios de 1/8" en el relleno.
- Con una llave hexagonal de 3/32", fije el relleno a la jamba mural con dos tornillos de cabeza plana #8 x 3/4".
- Oprima el sello de felpa en el canal en el interior del marco del panel de la claraboya.



18. Instale el panel interior de la claraboya

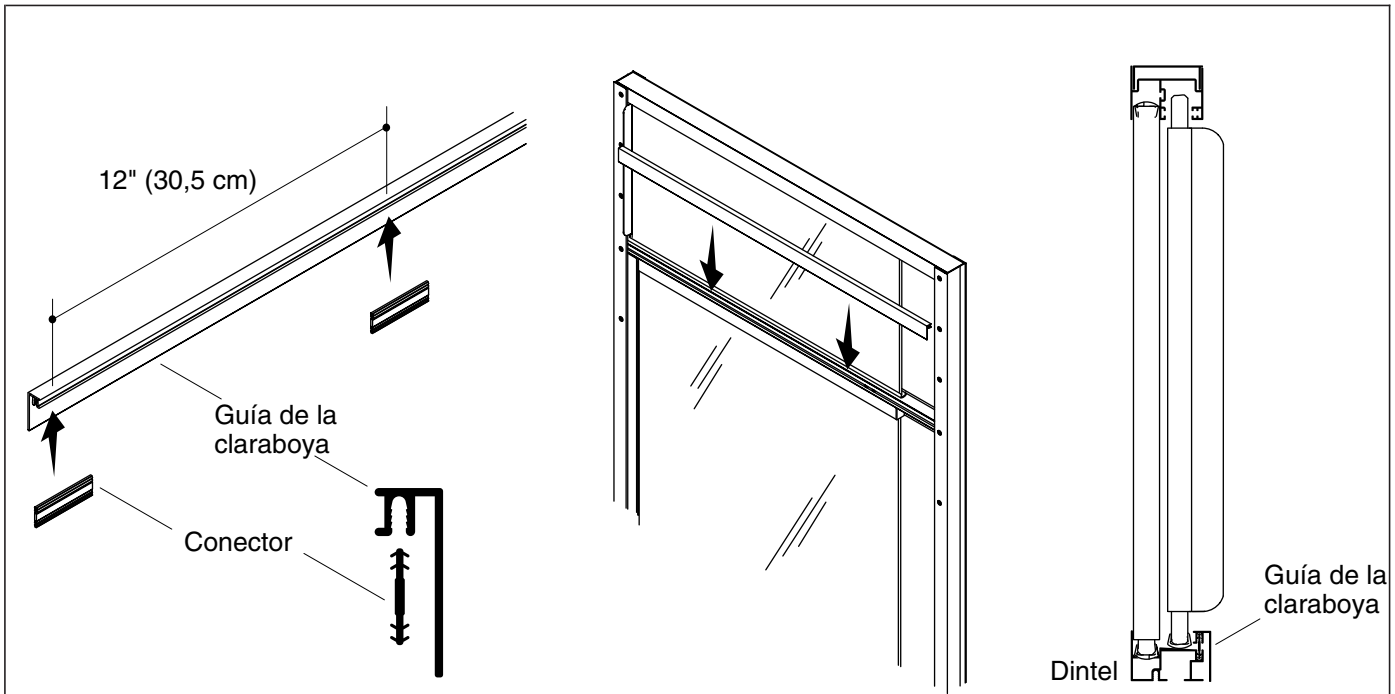
¡IMPORTANTE! El marco de plástico de la claraboya viene ya instalado al panel interior de la claraboya. Cuando se instala el panel, la manija queda orientada en el lado de contacto de la puerta hacia el interior de la ducha y el marco de plástico debe quedar en la parte inferior. Si es necesario, es posible retirar el marco de plástico y volver a instalarlo en el lado opuesto del panel.

- Desde el interior de la ducha, levante el panel interior de la claraboya hacia arriba dentro del carril interior del carril superior.
- Incline la parte inferior del panel hacia el dintel hasta que quede asentado en la parte superior del dintel.



PRECAUCIÓN: Riesgo de lesiones personales o daños al producto El panel no queda asegurado en su lugar en este momento. Sostenga el panel con las dos manos hasta que quede temporalmente en su lugar dentro del relleno de la claraboya.

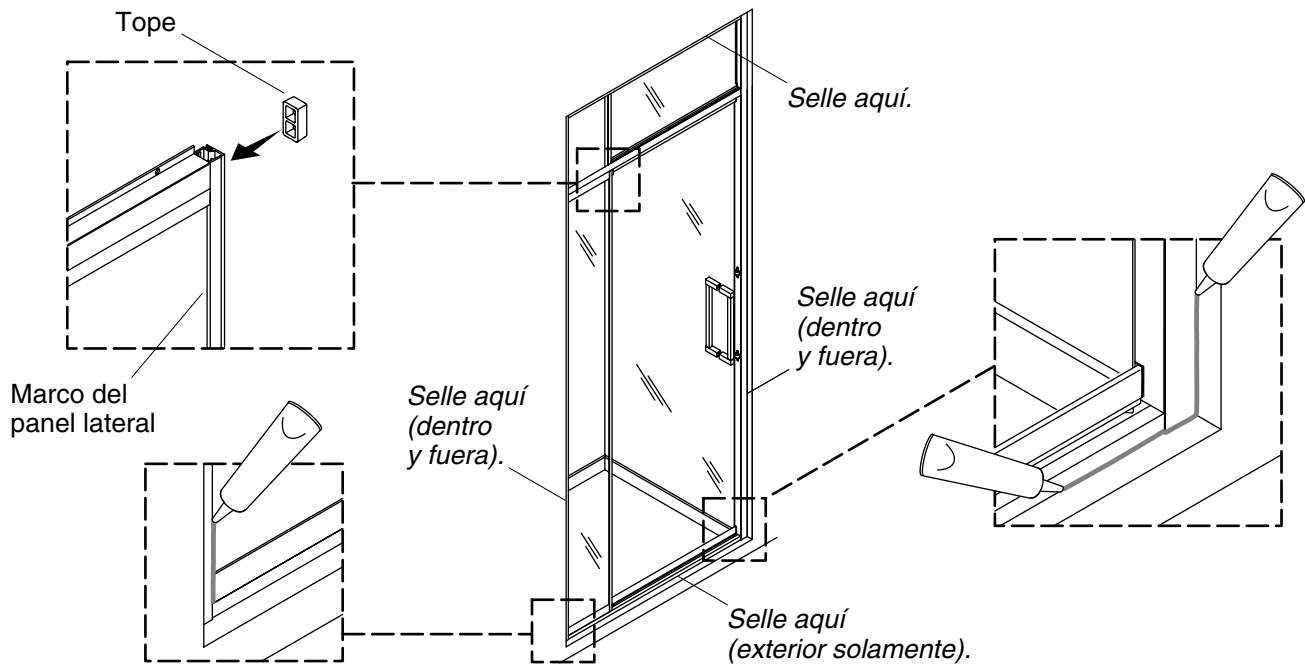
- Deslice el panel dentro del relleno de la claraboya en el lado de contacto de la puerta.



19. Instale la guía de la claraboya

- Oprima los conectores en el canal en la guía de la claraboya. Coloque un conector en cada extremo de la guía de la claraboya, luego cada 12" (30,5 cm) a todo lo largo de la longitud de la guía.
- Oprima el montaje de la claraboya dentro de la ranura en el dintel.

NOTA: Queda un ligero espacio entre la guía de la claraboya y el dintel.



20. Termine la instalación

Instale los topes y el logotipo de Kohler

- Instale un tope en el borde del marco del panel lateral como se indica.
- Instale dos topes en el relleno de la claraboya.
- Si se aplica, instale el logotipo de KOHLER en el centro del umbral (no se muestra).

Aplique sellador

¡IMPORTANTE! Con cuidado siga las instrucciones del fabricante del sellador de silicona con respecto a la aplicación y al tiempo de secado.

NOTA: Limpie y seque por completo todas las superficies en las que haya aplicado sellador de silicona.

- Use cinta de enmascarar para proteger las áreas adyacentes a las superficies en las que se aplica sellador.
- Aplique una tira de sellador de silicona al exterior y al interior de las juntas verticales donde todas las jambas se encuentran con la pared.
- Aplique una tira de sellador de silicona al exterior de la junta vertical entre la jamba mural y el panel lateral, como se indica.
- Aplique una tira de sellador de silicona al lado seco del umbral donde hace contacto con el reborde de la ducha. No aplique sellador en el lado húmedo del umbral.
- En el caso de una puerta que permite acumular vapor, aplique una tira de sellador donde el expansor del dintel hace contacto con el techo para crear una barrera para el vapor.

Procedimiento para resolver problemas

Esta guía para resolver problemas está diseñada únicamente como ayuda general. Si tiene preguntas con respecto al servicio o a la instalación, llame al 1-800-4-KOHLER.

Tabla para resolver problemas

Síntomas	Acción recomendada
Fugas de agua	

Procedimiento para resolver problemas (cont.)

Tabla para resolver problemas

Síntomas	Acción recomendada
1. Se fuga agua bajo el panel lateral.	A. Desde el exterior de la ducha, aplique silicona a la junta donde el panel lateral se une al umbral.
2. Se fuga agua por la intersección del panel lateral y la jamba umbral.	A. Desde el exterior de la ducha, aplique silicona a la junta donde el panel lateral se une a la jamba umbral.
3. Se fuga agua bajo la puerta.	A. Verifique que los sellos estén en su lugar. Consulte la sección "Ensamble la puerta". B. Ajuste la puerta para disminuir el espacio entre el umbral y la parte inferior de la puerta. Consulte la sección "Ajuste y asegure la puerta".
4. Se fuga agua entre la puerta y el panel lateral.	A. Comuníquese con el Centro de Atención al Cliente para ordenar sellos de servicio. Presione el sello en el borde del panel de la puerta.
5. Se fuga agua junto a la jamba de contacto.	A. Ajuste la puerta para disminuir el espacio entre la puerta y la jamba de contacto. Consulte la sección "Ajuste y asegure la puerta". B. Ajuste las jambas murales de tal forma que la puerta haga contacto con el sello de contacto. Consulte la sección "Ajuste y asegure la puerta".
Fugas de vapor	
NOTA: Este producto está diseñado para permitir que algo de vapor escape para permitir que el aire circule correctamente.	
1. El vapor se fuga alrededor de las jambas murales y sobre el carril superior.	A. Deje que el área de la fuga se seque por completo. Aplique silicona en todos los puntos de fuga.
2. El vapor se fuga alrededor de la jamba de contacto.	A. Ajuste la puerta para disminuir el espacio entre la puerta y la jamba de contacto. Consulte la sección "Ajuste y asegure la puerta". B. Ajuste las jambas murales de tal forma que la puerta haga contacto con el sello de contacto. Consulte la sección "Ajuste y asegure la puerta".
Funcionamiento de la puerta	
1. La puerta golpea el umbral.	A. Ajuste la puerta para disminuir el espacio entre la puerta y la jamba de contacto a 1/4" (6 mm). Consulte la sección "Ajuste y asegure la puerta".
2. Es difícil abrir y cerrar la puerta.	A. Ajuste la puerta para aumentar el espacio entre la puerta y la jamba de contacto, de tal forma que los pestillos no queden tan apretados. Consulte la sección "Ajuste y asegure la puerta". B. Ajuste las jambas murales de tal forma que la puerta haga contacto con el sello de contacto. Consulte la sección "Ajuste y asegure la puerta". C. Retire los sellos inferiores de la puerta y recorte un segmento. Vuelva a instalar los sellos.
3. La puerta se abre con demasiada facilidad o se abren los pestillos por sí solos.	A. Ajuste la puerta para disminuir el espacio entre la puerta y la jamba de contacto, de tal forma que los pestillos queden más apretados. Consulte la sección "Ajuste y asegure la puerta".
Funcionamiento de la claraboya	
1. El panel interior de la claraboya roza y hace ruido al deslizarlo.	A. Asegúrese de que ambos sellos estén instalados en el carril superior. Consulte la sección "Instale el carril superior y el expansor". B. Asegúrese de que el marco de plástico esté instalado en la parte inferior del panel móvil. Consulte la sección "Instale el panel interior de la claraboya".

Procedimiento para resolver problemas (cont.)

	<p>C. Asegúrese de que el carril superior esté instalado con el lado correcto hacia el exterior de la ducha. Consulte la sección "Instale el carril superior y el expansor".</p>
<p>2. El panel interior de la claraboya no cierra.</p>	<p>A. Asegúrese de que los rellenos de la claraboya estén instalados correctamente. Consulte la sección "Instale los rellenos de la claraboya".</p>

USA/Canada: 1-800-4KOHLER

México: 001-800-456-4537

kohler.com

THE BOLD LOOK
OF **KOHLER**®

©2010 Kohler Co.

1144163-2-A