

PIVOT NEO-ANGLE SHOWER DOORS

K-705230

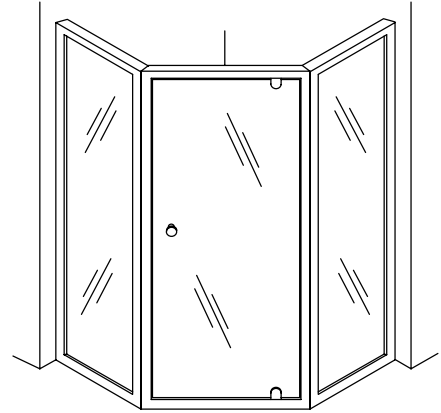
FEATURES

- Easy installation, factory preassembled door
- 1" (2.5cm) adjustability per side
- Corrosion resistant
- Stainless steel hardware
- Water tight design
- Easy clean removable seals
- Right or left door swing
- 1/4" (6mm) Frameless glass door panel
- Solid brass door handle

CODES/STANDARDS

Specified model meets or exceeds the following:

- ANSI Z97.1 (tempered glass)



GLASS OPTIONS

- B1 Intrex™
- L Clear
- A1-BH Basilica With Brass
- A2-SH Basilica With Silver

COLORS/FINISHES

- 0 White
- SH Bright Silver Finish
- BH Bright Brass Finish

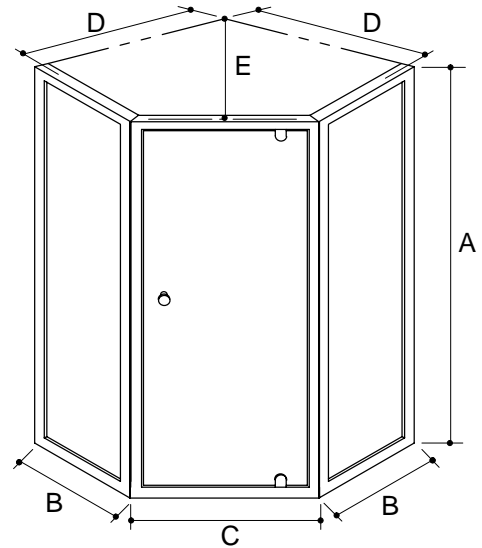
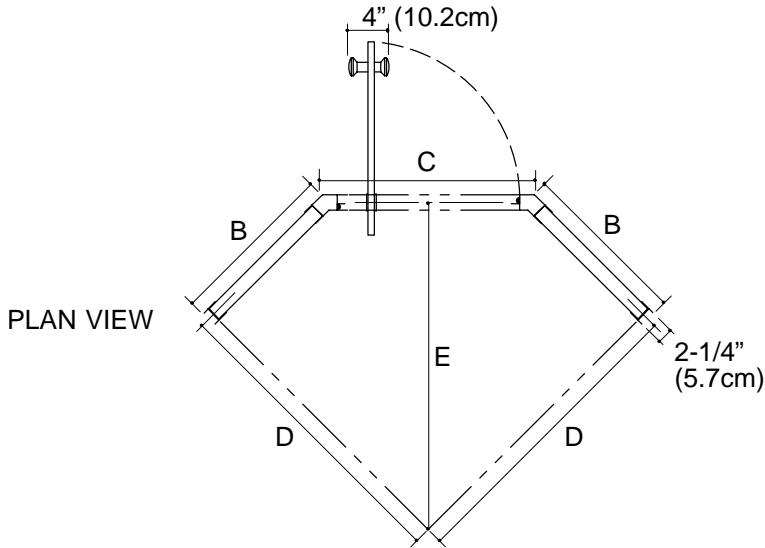
SPECIFIED MODEL:

Model	Application	Glass Options				Frame Finishes/Colors		
		B1	L	A1-BH	A2-SH	SH	BH	0
K-705230*	Shower-K9536/K9866 and K1517/K1551	<input type="checkbox"/>	<input type="checkbox"/>	<input type="checkbox"/>	<input type="checkbox"/>	<input type="checkbox"/>	<input type="checkbox"/>	<input type="checkbox"/>
K-705231*	Shower-K1579/K1587	<input type="checkbox"/>	<input type="checkbox"/>	<input type="checkbox"/>	<input type="checkbox"/>	<input type="checkbox"/>	<input type="checkbox"/>	<input type="checkbox"/>
K-705232	Shower-K9542	<input type="checkbox"/>	<input type="checkbox"/>			<input type="checkbox"/>	<input type="checkbox"/>	<input type="checkbox"/>
K-705233		<input type="checkbox"/>	<input type="checkbox"/>			<input type="checkbox"/>	<input type="checkbox"/>	<input type="checkbox"/>
K-705235	Side Kit Panel Only	<input type="checkbox"/>	<input type="checkbox"/>			<input type="checkbox"/>	<input type="checkbox"/>	<input type="checkbox"/>
K-705236	Side Kit Panel Only	<input type="checkbox"/>	<input type="checkbox"/>			<input type="checkbox"/>	<input type="checkbox"/>	<input type="checkbox"/>
K-705237	Side Kit Panel Only	<input type="checkbox"/>	<input type="checkbox"/>			<input type="checkbox"/>	<input type="checkbox"/>	<input type="checkbox"/>

*Only doors are available in glass options, not side panels.

PRODUCT SPECIFICATION:

Arica pivot neo-angle shower door. Door shall have easy installation, with factory preassembled door. Door shall have 1" (2.5cm) adjustability per side, be corrosion resistant with stainless steel hardware. Door shall feature water tight design, easy clean removable seals, with right or left door swing and 1/4" (6mm) frameless glass door panel. Door shall have solid brass door handle. Shower door shall be Kohler Model K-_____ - _____ - _____.



DIMENSIONAL CHART

Rough-In Notes	A	B	C	D	E
K-705230	72" (182.9cm)	15-3/8" (39.1cm) – 16-3/8" (41.6cm)	26-1/16" (66.2cm) – 28" (71.1cm)	33-13/16" (85.9cm) – 36-3/16" (91.9cm)	34-13/16" (88.4cm) – 37-3/16" (94.5cm)
K-705231	72" (182.9cm)	26-3/4" (67.9cm) – 27-3/4" (70.5cm)	26-1/16" (66.2cm) – 28" (71.1cm)	45-3/16" (114.8cm) – 47-9/16" (120.8cm)	50-7/8" (129.2cm) – 53-1/4" (135.3cm)
K-705232	72" (182.9cm)	17-3/8" (44.1cm) – 18-3/8" (46.7cm)	28-1/16" (71.3cm) – 30" (76.2cm)	37-1/4" (94.6cm) – 39-5/8" (100.6cm)	38-5/8" (98.1cm) – 41" (104.1cm)
K-705233	72" (182.9cm)	15-3/8" (39.1cm) – 16-3/8" (41.6cm)	28-1/16" (71.3cm) – 30" (76.2cm)	35-1/4" (89.5cm) – 37-5/8" (95.6cm)	35-13/16" (91cm) – 38-3/16" (97cm)
*K-705235	72" (182.9cm)	18" (45.7cm) – 19" (48.3cm)			
*K-705236	72" (182.9cm)	19" (48.3cm) – 20" (50.8cm)			
*K-705237	72" (182.9cm)	20" (50.8cm) – 21" (53.3cm)			

Note: Dimensions are taken on centerline of curb/threshold from finished wall.

* Side panel kits only. Can be used with any 72" (182.9cm) Arica pivot doors.

PRODUCT DIAGRAM

K-705230 Arica Bypass Shower Doors