

PIVOT NEO-ANGLE SHOWER DOORS

K-704517, K-704516,

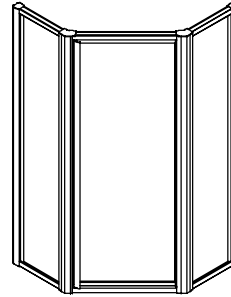
FEATURES

- 3/4" (2cm) adjustability per side
- Soft touch foam handle insert
- Corrosion-resistant stainless steel hardware
- Full length magnetic seal
- Right or left door swing

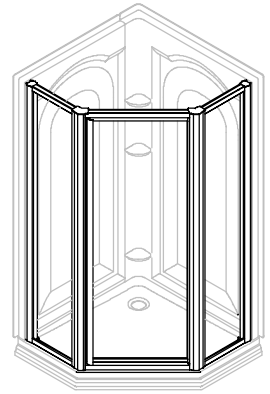
CODES/STANDARDS

Specified model meets or exceeds the following:

- ANSI Z97.1 (tempered glass)'



K-704517



K-704516

GLASS OPTIONS

- B1 Intrex™
- L Crystal Clear

COLORS/FINISHES

- SH Bright Silver Finish
- BH Bright Brass Finish
- MX Matte Nickel Finish

Accessories:

- 0 White
- CP Polished Chrome
- Other Refer to Price Book for additional colors

SPECIFIED MODEL:

Model	Description	Glass Options		Frame Finishes/Colors		
K-704516	Shower Door - For use with K-1018 walls and K-9455 receptor	<input type="checkbox"/> B1	<input type="checkbox"/> L	<input type="checkbox"/> SH	<input type="checkbox"/> BH	<input type="checkbox"/> MX
K-704517	Shower Door - For use with K-9455 receptor	<input type="checkbox"/> B1	<input type="checkbox"/> L	<input type="checkbox"/> SH	<input type="checkbox"/> BH	<input type="checkbox"/> MX

Recommended Accessories			
K-1018	Shower walls	<input type="checkbox"/> 0	<input type="checkbox"/> Other _____
K-9455	Shower receptor	<input type="checkbox"/> 0	<input type="checkbox"/> Other _____
K-9132	Drain	<input type="checkbox"/> CP	<input type="checkbox"/> Other _____

PRODUCT SPECIFICATION:

Devonshire™ pivot neo-angle with two in-line panel shower door. Door shall include 3/4" (2cm) adjustability per side. Door handle shall have a soft touch foam handle insert. Door shall have corrosion-resistant stainless steel hardware, with full length magnetic seal. Door shall feature right or left door swing. Shower door shall be Kohler Model K-_____ - _____ - _____.

DEVONSHIRE™

PRODUCT INFORMATION

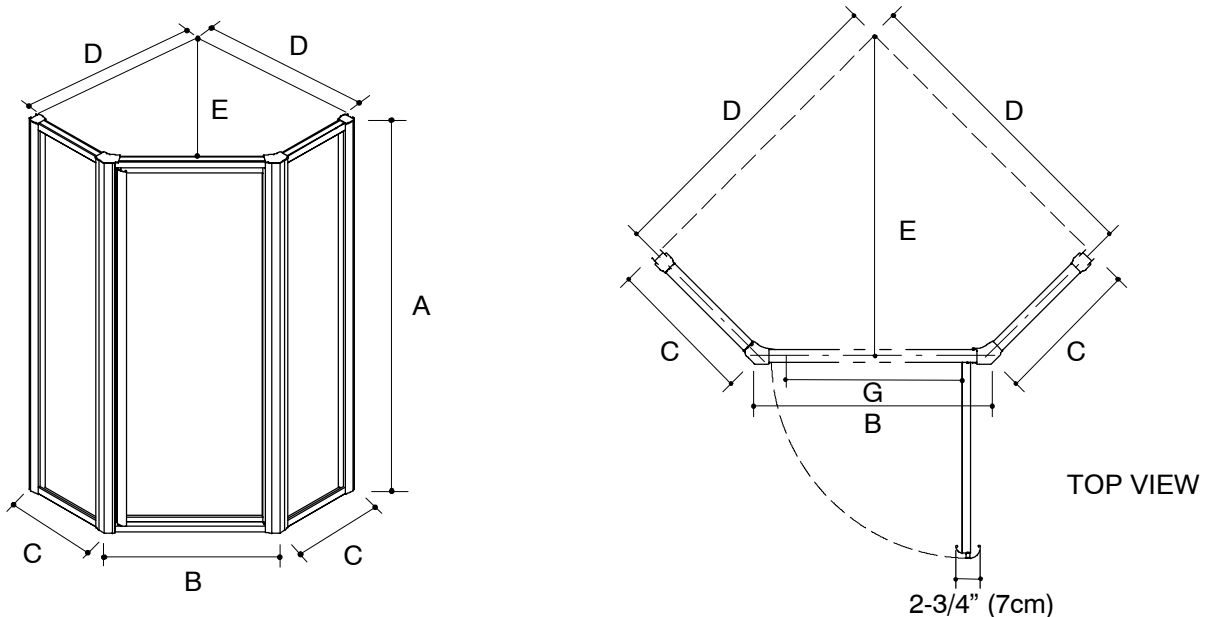
Fixture:	K-704516	K-704517
Weight	84 lbs. (38.1kg)	86-1/2 lbs. (39.2kg)
Glass, tempered safety		

INSTALLATION NOTES

Door can be for either left-hand or right-hand opening. Door shown below is for left-hand opening.

Roughing-In Notes	A	B	C (Min - Max)	D (Min - Max)	E (Min - Max)	G (Walk Through)
K-704516	72" (182.9cm)	27-3/4" (70.5cm)	16-3/4" (42.5cm) - 17-1/2" (44.5cm)	35-3/8" (89.9cm) - 36-1/8" (91.8cm)	36-1/2" (92.7cm) - 37-5/8" (95.6cm)	21-3/4" (55.2cm)
K-704517	72" (182.9cm)	27-3/4" (70.5cm)	17-15/16" (45.5cm) - 18-11/16" (47.5cm)	36-9/16" (92.8cm) - 37-5/16" (94.8cm)	38-7/32" (97.1cm) - 39-5/16" (99.8cm)	21-3/4" (55.2cm)

Note: Dimensions are taken on centerline of curb/threshold from finished wall.



PRODUCT DIAGRAM