

**BATH AND SHOWER VALVE TRIM
K-T15235**

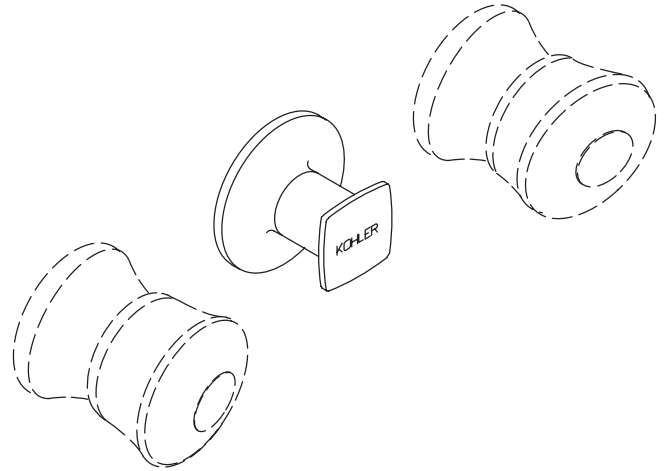
FEATURES

- Metal construction
- Reversible 1/2" quarter-turn washerless ceramic disc valves
- Lever or acrylic handles

CODES/STANDARDS APPLICABLE

Specified model meets or exceeds the following:




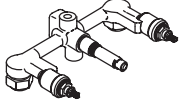
- ASME/ANSI A112.18.1M
- CSA International B125
- IAPMO/UPC



COLORS/FINISHES

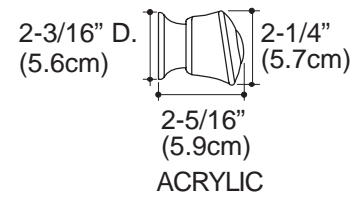
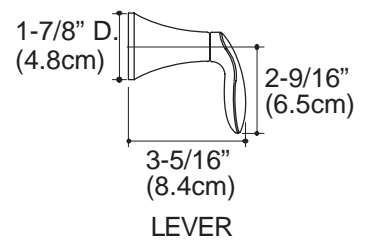
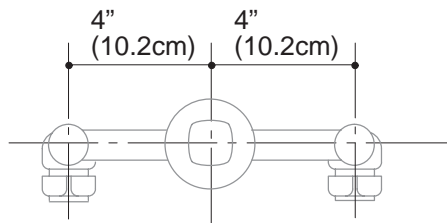
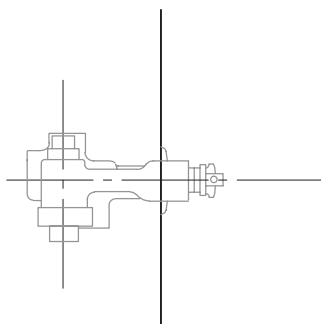
- CP Polished Chrome
- PB Polished Brass

SPECIFIED MODEL: For complete faucet, both faucet trim and mixing valve must be specified.

Model	Description			
K-T15235-4	Bath and Shower Lever Handle Valve Trim	<input type="checkbox"/>	<input type="checkbox"/>	<input type="checkbox"/>
K-T15235-7	Bath and Shower Acrylic Handle Valve Trim	<input type="checkbox"/>	<input type="checkbox"/>	<input type="checkbox"/>
Required Accessory				
K-303-K	3-Handle 1/2" Ceramic Disc Valve System	<input type="checkbox"/>		

PRODUCT SPECIFICATION:

Three-handle bath and shower valve trim shall be of metal construction. Faucet shall feature reversible 1/2" quarter-turn washerless ceramic disc valves, assuring positive handle stop positioning. Product shall include integral diverter mechanism, and lever or acrylic handles. Faucet shall be Kohler Model K-T15235-_____ and valve system shall be Kohler Model K-303-K-NA.



PRODUCT DIAGRAM