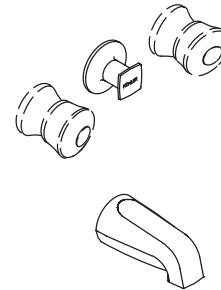
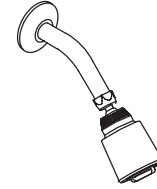


**BATH AND SHOWER FAUCET TRIM
K-T15231**

FEATURES

- Metal construction
- Reversible 1/2" quarter-turn washerless ceramic disc valves
- 4-7/8" (12.4cm) non-diverter spout with N.P.T. or slip-fit connection
- Lever or acrylic handles



CODES/STANDARDS APPLICABLE



Specified model meets or exceeds the following:

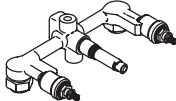
- ASME/ANSI A112.18.1M
- CSA International B125
- IAPMO/UPC

COLORS/FINISHES

- CP Polished Chrome
- PB Polished Brass

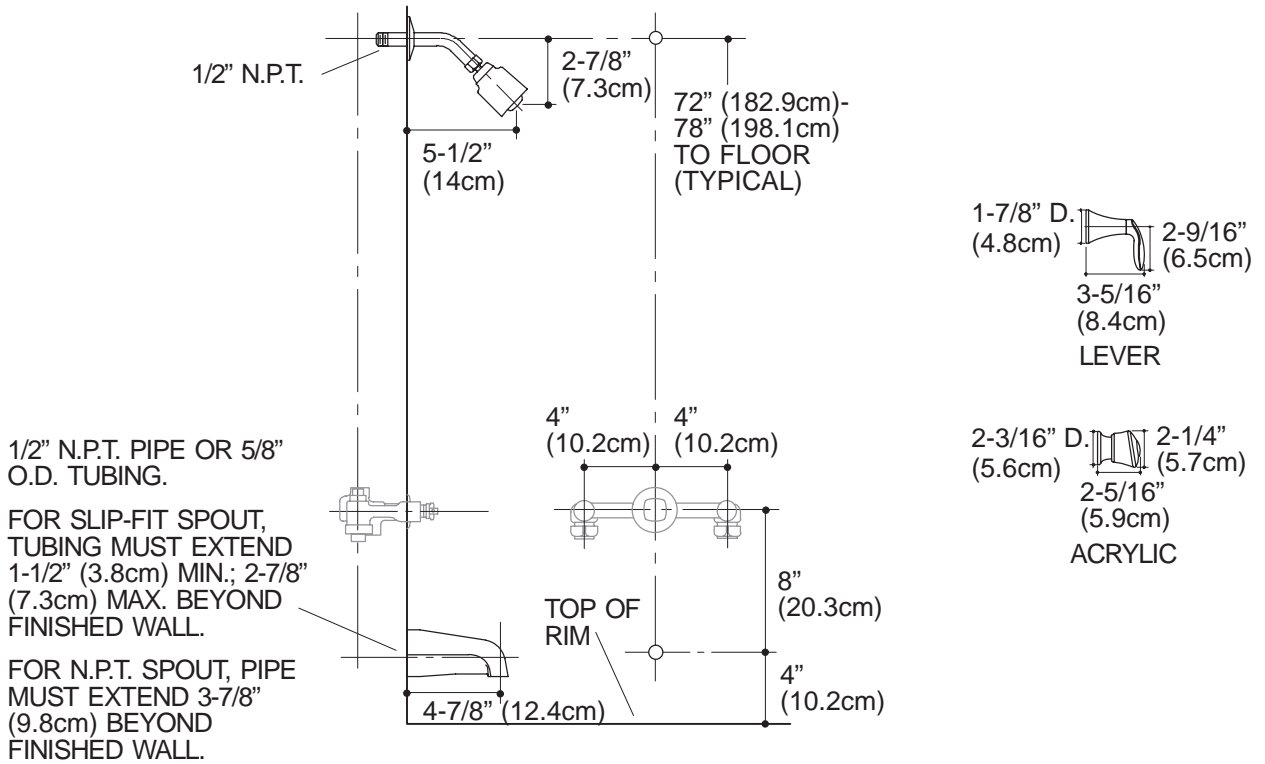
SPECIFIED MODEL: For complete faucet, both faucet trim and mixing valve must be specified.

Model	Description		
K-T15231-4	Bath and Shower Trim, With Lever Handles and N.P.T. Non-Diverter Spout	<input type="checkbox"/> CP <input type="checkbox"/> PB	
K-T15231-4S	Bath and Shower Trim, With Lever Handles and Slip-Fit Non-Diverter Spout	<input type="checkbox"/> CP	
K-T15231-7	Bath and Shower Trim, With Acrylic Handles and N.P.T. Non-Diverter Spout		<input type="checkbox"/> CP <input type="checkbox"/> PB
K-T15231-7S	Bath and Shower Trim, With Acrylic Handles and Slip-Fit Non-Diverter Spout		<input type="checkbox"/> CP

Required Accessory		
K-303-K	3-Handle 1/2" Ceramic Disc Valve System	<input type="checkbox"/> NA

PRODUCT SPECIFICATION:

Three-handle bath and shower faucet trim shall be of metal construction. Faucet shall feature reversible 1/2" quarter-turn washerless ceramic disc valves, assuring positive handle stop positioning. Product shall include showerhead with arm and flange, 4-7/8" (12.4cm) non-diverter spout with N.P.T. or slip-fit connection, integral diverter mechanism, and lever or acrylic handles. Faucet shall be Kohler Model K-T15231-____-____ and valve system shall be Kohler Model K-303-K-NA.



332

PRODUCT DIAGRAM