

Features

- 44 airjets release thousands of bubbles that surround, support, and massage the body.
- Variable-speed blower lets you adjust massage intensity to 18 levels.
- Zones of Control feature allows you to target massage to back, midsection, or feet.
- Lighted keypad.
- Comfort Depth design offers a convenient and low step-over height while retaining the depth of a standard 21-inch bath.
- Slotted overflow allows for deep soaking.
- Sloped lumbar support on both ends.
- Safeguard® slip-resistant surface on bath floor.
- Immediate and manual purge cycles remove residual water from air channels after use.
- Center drain.
- Coordinates with other products in the Rêve collection.

Material

- KOHLER® enameled cast iron.

Hydrotherapy

- BubbleMassage

Installation

- Drop-in or under-mount.

Required Accessories

K-7271 Brass Slotted Overflow Bath Drain

or

K-7272 PVC Slotted Overflow Bath Drain

Recommended Accessories

K-137 Under-Mount Installation Kit

K-1705 Whirlpool/BubbleMassage™ Remote Control

K-9498 3" Keypad Trim

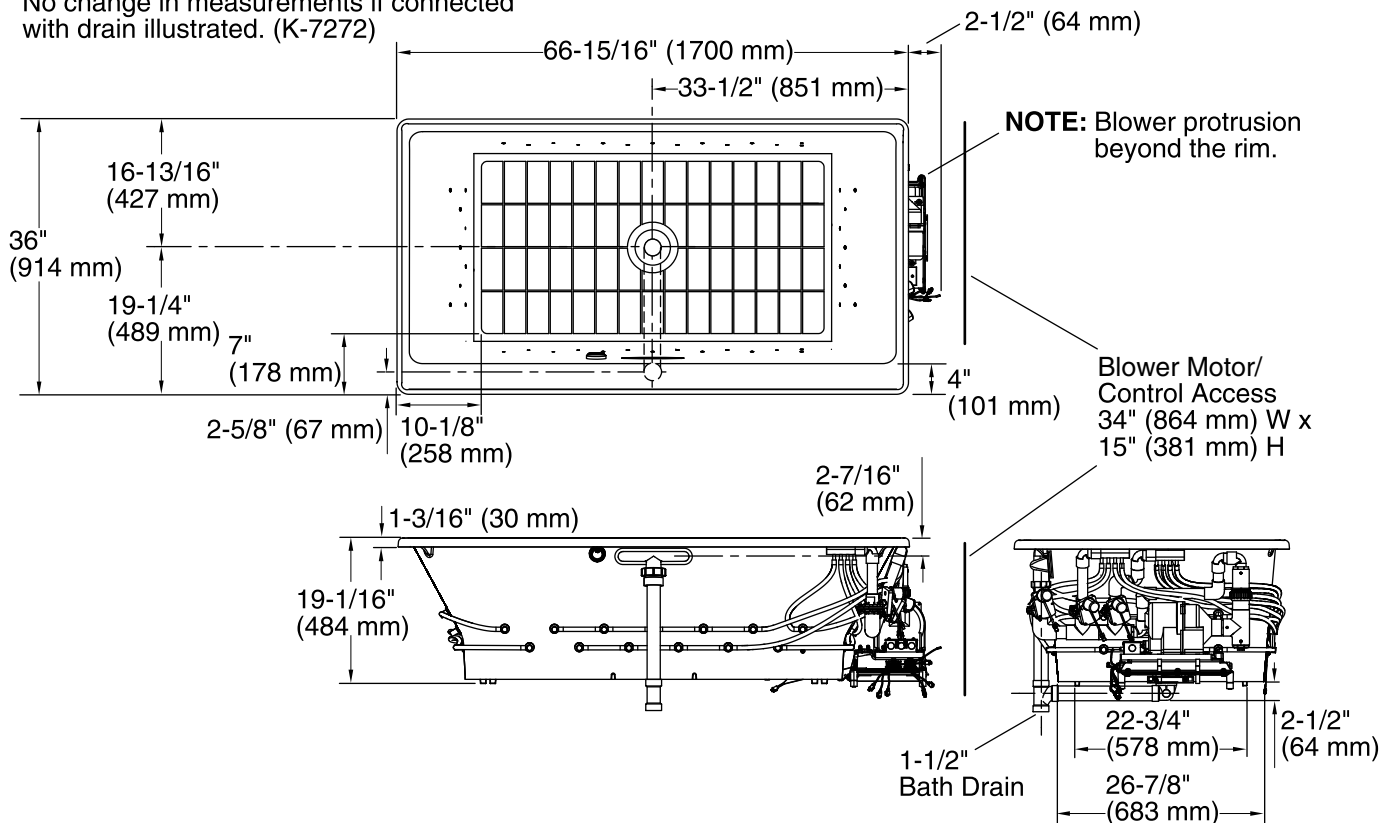


Codes/Standards

None Applicable

See website for detailed warranty information.

No change in measurements if connected with drain illustrated. (K-7272)



Required Electrical Service

One dedicated circuit required, protected with Class A Ground-Fault Circuit-Interrupter (GFCI) or Residual Current Device (RCD).

Blower: 240 V, 15 A, 50/60 Hz

Technical Information

All product dimensions are nominal.

| | |
|------------------------------|---|
| Installation: | Drop-in, Under-mount |
| Drain location: | Center |
| Basin area, bottom: | 49" x 26-1/2" (1245 mm x 673 mm) |
| Basin area, top: | 62-1/2" x 29-1/4" (1588 mm x 743 mm) |
| Weight: | 435 lbs (197.3 kg) |
| Minimum floor load: | 78 lbs/ft ² (380.8 kg/m ²) |
| Water depth: | 19" (483 mm) |
| Water capacity: | 90 gal (340.7 L) |
| Cutout: | Drop-in, 66-1/2" x 35-1/2" (1689 mm x 902 mm) |
| Template: | Under-mount, K-137, not required, not included |
| Electrical component rating: | Blower: 240 V, 5 A, 50/60 Hz |

Notes

Measure your actual product for rough-in details. Install this product according to the installation instructions.

The hot water supply should be 70% of the capacity of the bath or greater. Installations will vary.

Kit is required for under-mount installations (sold separately).

If relocating the blower motor, do not relocate or alter the PVC tee or coiled flexible tubing connected to the blower. Follow the blower relocation instructions exactly. Provide access for servicing the blower.