



**Tea-for-Two®**  
 5.5' BubbleMassage™ Bath  
 K-856-GCBN

**Features**

- End drain.
- Chromatherapy lighting allows you to select a preferred color scheme to suit your mood.
- Integral lumbar support.
- Includes jet trim: Vibrant Brushed Nickel.
- 66" (1676 mm) x 36" (914 mm) x 24" (610 mm)

**Material**

- Cast iron with Safeguard® finish.

**Hydrotherapy**

- 40 BubbleMassage™ airjets. 18 levels of massage intensity.
- Zones of Control feature allows you to target massage to back, midsection, or feet.
- Automatic purge cycles remove residual water from air channels after use.
- Built-in 300 W heater.
- Lighted keypad control.

**Installation**

- Drop-in or under-mount.

**Required Accessories**

K-7147-AF 1-1/2" Contoured Pop-up Drain

**Recommended Accessories**

K-1705 Whirlpool/BubbleMassage™ Remote Control  
 K-587 Under-mount Installation Kit  
 K-9498 3" Keypad Trim



**Codes/Standards**








ASME A112.19.1/CSA B45.2  
 ASME A112.19.7/CSA B45.10  
 ASTM F462  
 UL 1795  
 CSA C22.2 No. 218.2  
 CARB P2

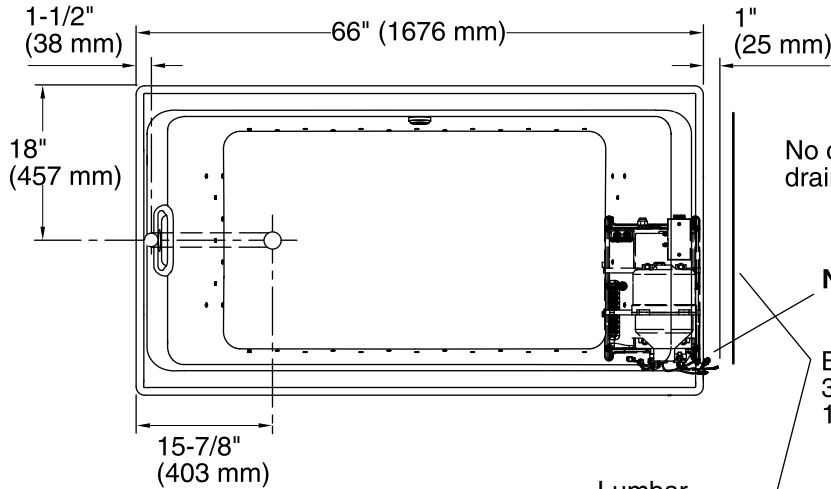
**KOHLER® Lifetime Limited Warranty for Cast Iron Components**

See website for detailed warranty information.

**Available Color/Finishes**

*Color tiles intended for reference only.*

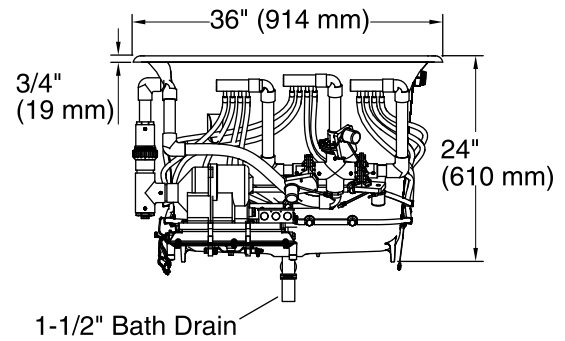
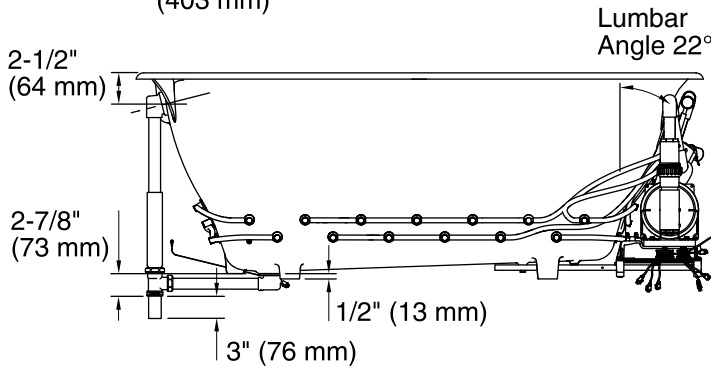
| Color  | Code | Description  |
|--|------|--------------|
|  | 0    | White        |
|  | 96   | Biscuit      |
|  | 47   | Almond       |
|  | NY   | Dune         |
|  | G9   | Sandbar      |
|  | K4   | Cashmere     |
|  | 7    | Black Black™ |



No change in measurements if connected with drain illustrated. (K-7147-AF)

**NOTE:** Blower protrusion beyond the rim.

Blower Motor/Control Access  
34" (864 mm) W x  
15" (381 mm) H



### Required Electrical Service

One dedicated circuit required, protected with Class A Ground-Fault Circuit-Interrupter (GFCI) or Residual Current Device (RCD).

Blower: 240 V, 15 A, 50/60 Hz

### Technical Information

All product dimensions are nominal.

|                              |   |
|------------------------------|---|
| Installation:                | Drop-in, Under-mount                              |
| Drain location:              | End   |
| Basin area, bottom:          | 45" x 25" (1143 mm x 635 mm)                      |
| Basin area, top:             | 58" x 29" (1473 mm x 737 mm)                      |
| Weight:                      | 510 lbs (231.3 kg)                                |
| Minimum floor load:          | 86 lbs/ft <sup>2</sup> (419.9 kg/m <sup>2</sup> ) |
| Water depth:                 | 19-1/2" (495 mm)                                  |
| Water capacity:              | 105 gal (397.5 L)                                 |
| Cutout:                      | Drop-in, 64-1/2" x 34-1/2" (1638 mm x 876 mm)     |
| Template:                    | Under-mount, K-587, required, not included        |
| Electrical component rating: | Blower: 240 V, 5 A, 50/60 Hz                      |

### Notes

Measure your actual product for rough-in details.

Install this product according to the installation instructions.

The hot water supply should be 70% of the capacity of the bath or greater. Installations will vary.

If relocating the blower motor, do not relocate or alter the PVC tee or coiled flexible tubing connected to the blower. Follow the blower relocation instructions exactly. Provide access for servicing the blower.