



# Tea-for-Two®

60" x 32" drop-in bath  
K-850

## Features

- 60"L x 32"W x 18-1/4"H
- The only two-person bath that fits into a standard 5' alcove
- Spacious design accommodates up to two bathers
- Safeguard® slip-resistant surface provides excellent traction underfoot

## Material

- KOHLER® enameled cast iron

## Installation

- Drop-in, undermount, or alcove
- Requires cable pop-up bath drain and bath drain trim (sold separately)

## Required Products/Accessories

K-23857 Bath drain trim

or

K-78440 33" cable pop-up bath drain

## Recommended Products/Accessories

K-586 Under-Mount Installation Kit

K-1172 Adjustable feet

K-1179 Vinyl Tiling-in Bead

K-1491 Bath/Whirlpool Pillow

K-1601 Bath/whirlpool footstop, removable

K-706000-D3 Frameless Sliding Bath Door

K-706000-L 62" H sliding bath door with 1/4"-thick glass

K-706004-D3 Frameless Sliding Bath Door

K-706004-L Frameless Sliding Bath Door

K-23726 Drain treatment

K-23725 Cast iron cleaner



ADA

## Codes/Standards

ASME A112.19.1/CSA B45.2

ASTM F462

ADA







ICC/ANSI A117.1

## KOHLER® Enameled Cast Iron Bath and Shower Base Lifetime Limited Warranty

See website for detailed warranty information.

## Available Colors/Finishes

*Color tiles intended for reference only.*

Color	Code	Description
	0	White
	96	Biscuit
	NY	Dune
	95	Ice™ Grey
	58	Thunder™ Grey
	7	Black Black™

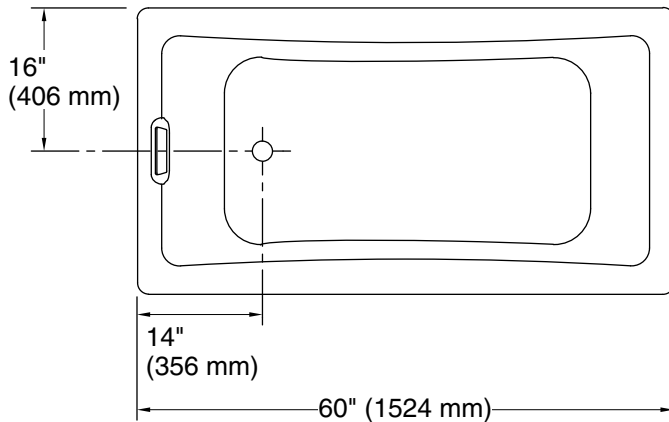
1-800-4KOHLER (1-800-456-4537)

Kohler Co. reserves the right to make revisions without notice to product specifications.

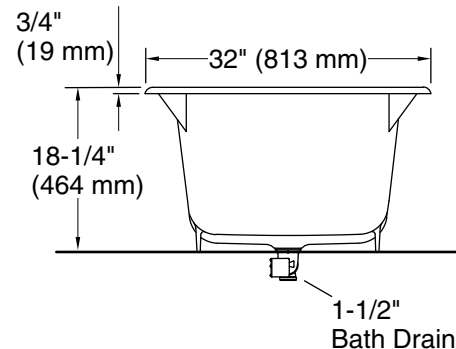
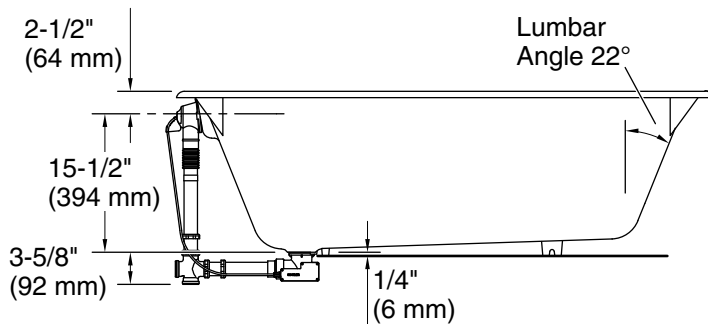
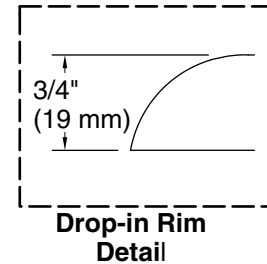
For the most current Specification Sheet, go to [www.kohler.com](http://www.kohler.com) USA or [www.kohler.ca](http://www.kohler.ca) Canada

2-15-2025 20:40 - US/CA

THE BOLD LOOK  
OF **KOHLER**®



No change in measurements if connected with drain illustrated. (K-23856-NA)



### Technical Information

All product dimensions are nominal.

Drain location:	Reversible
Basin area, bottom:	40-1/2" x 20" (1029 mm x 508 mm)
Basin area, top:	52-3/4" x 24" (1340 mm x 610 mm)
Weight:	250 lbs (113.4 kg)
Minimum floor load:	58 lbs/ft <sup>2</sup> (283.2 kg/m <sup>2</sup> )
Water depth:	13-5/8" (346 mm)
Water capacity:	60 gal (227.1 L)
Cutout:	Drop-in, 58-1/2" x 30-1/2" (1486 mm x 775 mm)
Template:	Under-mount, K-586, required, not included
Minimum flat for door:	3" (77 mm)

### Notes

Measure your actual product for rough-in details.

Install this product according to the installation instructions.

The hot water supply should be 70% of the capacity of the bath or greater. Installations will vary.

Kit is required for under-mount installations (sold separately).

ADA compliant when installed to the specific requirements of these regulations.