

Features

- End drain.
- Integral lumbar support.
- Textured bottom surface.
- 66" (1676 mm) x 32" (813 mm) x 18-1/4" (464 mm)

Material

- Cast iron with Safeguard® finish.

Installation

- Drop-in

Required Accessories

K-9621 Hand Grab Bars

Recommended Accessories

K-1172 Adjustable Feet
K-1491 Bath/Whirlpool Pillow
K-1601 Bath/Whirlpool Footstop
K-7213 27" Cable Bath Drain
K-7214 27" Cable Bath Drain
K-7161-AF Bath Drain
K-7259 Clearflo Bath Drain



ADA

Codes/Standards

ASME A112.19.1/CSA B45.2
ASTM F462
ASTM F462
ADA
ICC/ANSI A117.1



KOHLER® Lifetime Limited Warranty for Cast Iron Components

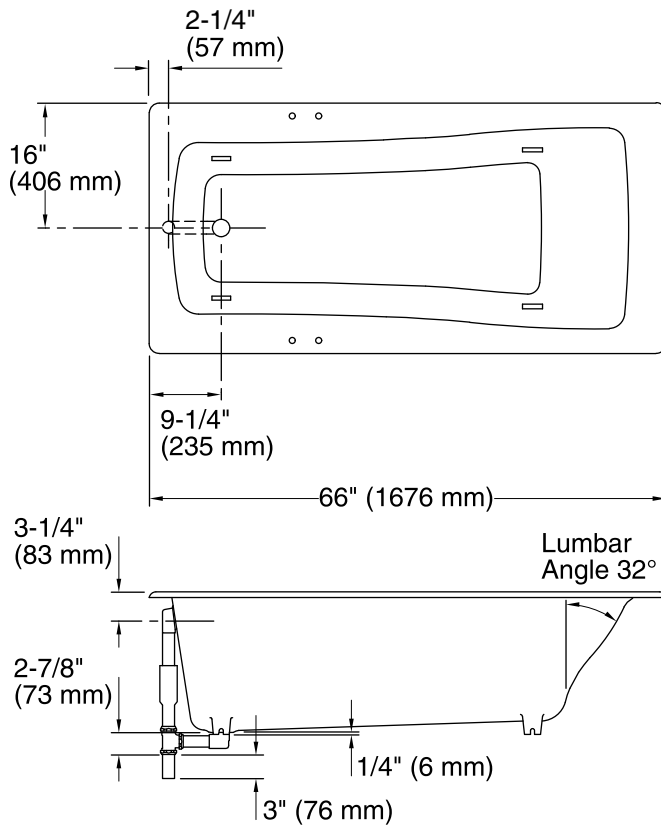
See website for detailed warranty information.

Available Color/Finishes

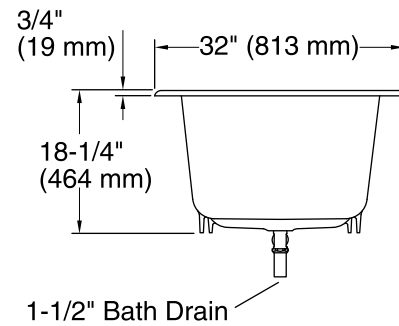
Color tiles intended for reference only.

Color	Code	Description
-------	------	-------------

	0	White
	96	Biscuit



No change in measurements if connected with drain illustrated. (K-7213)



Technical Information

All product dimensions are nominal.

Installation:	Drop-in
Drain location:	End
Basin area, bottom:	47" x 21" (1194 mm x 533 mm)
Basin area, top:	57" x 25" (1448 mm x 635 mm)
Weight:	350 lbs (158.8 kg)
Minimum floor load:	57 lbs/ft ² (278.3 kg/m ²)
Water depth:	13" (330 mm)
Water capacity:	55 gal (208.2 L)
Cutout:	Drop-in, 64-1/2" x 30-1/2" (1638 mm x 775 mm)
Minimum flat for door:	2-1/8" (54 mm)

Notes

Measure your actual product for rough-in details.

Install this product according to the installation instructions.

The hot water supply should be 70% of the capacity of the bath or greater. Installations will vary.

ADA compliant when installed to the specific requirements of these regulations.