

## Features

- Center drain.
- Integral lumbar support.
- Includes jet trim: Almond.
- Coordinates with other products in the Reve® collection.
- 66-15/16" (1700 mm) x 31-1/2" (800 mm) x 19-1/16" (484 mm)

## Material

- Cast iron with Safeguard® finish.

## Hydrotherapy

- 44 BubbleMassage™ airjets. 18 levels of massage intensity.
- Zones of Control feature allows you to target massage to back, midsection, or feet.
- Automatic purge cycles remove residual water from air channels after use.
- Built-in 300 W heater.
- Lighted keypad control.

## Installation

- Drop-in or under-mount.

## Required Accessories

K-7271 Brass Slotted Overflow Bath Drain

or

K-7272 PVC Slotted Overflow Bath Drain

## Recommended Accessories

K-136 Bath/BubbleMassage™ Under-mount Kit

K-1705 Whirlpool/BubbleMassage™ Remote Control

K-9498 3" Keypad Trim



## Codes/Standards

ASME A112.19.1/CSA B45.2

ASME A112.19.7/CSA B45.10

ASTM F462

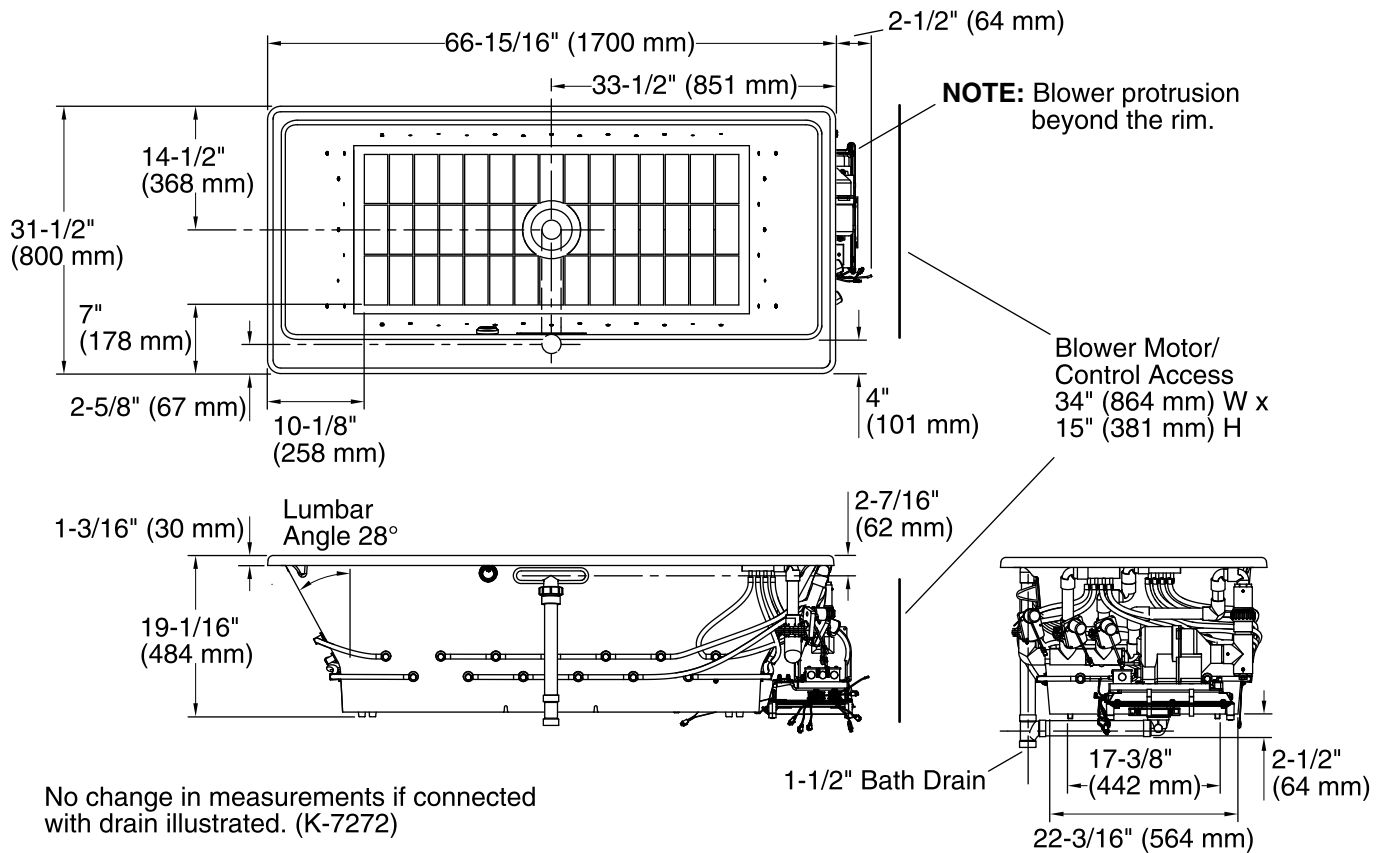
UL 1795

CSA C22.2 No. 218.2

CARB P2

## KOHLER® Lifetime Limited Warranty for Cast Iron Components

See website for detailed warranty information.



## Required Electrical Service

One dedicated circuit required, protected with Class A Ground-Fault Circuit-Interrupter (GFCI) or Residual Current Device (RCD).

Blower: 240 V, 15 A, 50/60 Hz

## Technical Information

All product dimensions are nominal.

Installation: Drop-in, Under-mount  
 Drain location: Center  
 Basin area, bottom: 62-1/2" x 24-3/4" (1588 mm x 629 mm)  
 Basin area, top: 49" x 22" (1245 mm x 559 mm)  
 Weight: 400 lbs (181.4 kg)  
 Minimum floor load: 78 lbs/ft<sup>2</sup> (380.8 kg/m<sup>2</sup>)  
 Water depth: 19" (483 mm)  
 Water capacity: 75 gal (283.9 L)  
 Cutout: Drop-in, 66-1/2" x 31" (1689 mm x 787 mm)  
 Electrical component rating: Blower: 240 V, 5 A, 50/60 Hz  
 Blower speed: Variable  
 Minimum flat for door: 0" (0 mm)

## Notes

Measure your actual product for rough-in details.

Install this product according to the installation instructions.

The hot water supply should be 70% of the capacity of the bath or greater. Installations will vary.

If relocating the blower motor, do not relocate or alter the PVC tee or coiled flexible tubing connected to the blower. Follow the blower relocation instructions exactly. Provide access for servicing the blower.