

Features

- Lever handle.
- Push-button diverter.
- 35° spout.
- NPT connection.
- Completes Purist design solution with KOHLER fixtures and accessories.
- Showerhead has 48 Masterclean™ spray nozzles that resist hard water buildup and a racetrack waterway ensuring great performance in low pressure environments.
- Showerhead flows at 2.0 gpm.
- Valve sold separately.

Material

- Premium construction ensures durability and reliability.

Required Accessories

K-304/K-P304 Series Rite-Temp® Valves

or

K-2971-KS 3/4" Pressure-balancing Valve

or

K-11748 Series Rite-Temp® Valves

Optional Accessories

88526 Thin Wall Trim Kit

1016154 Right-Temp Deep Rough-In



Codes/Standards

ASME A112.18.1/CSA B125.1

ASSE 1016/ASME A112.1016/CSA B125.16

DOE - Energy Policy Act 1992

EPA WaterSense®

California Energy Commission (CEC)

See website for detailed warranty information.

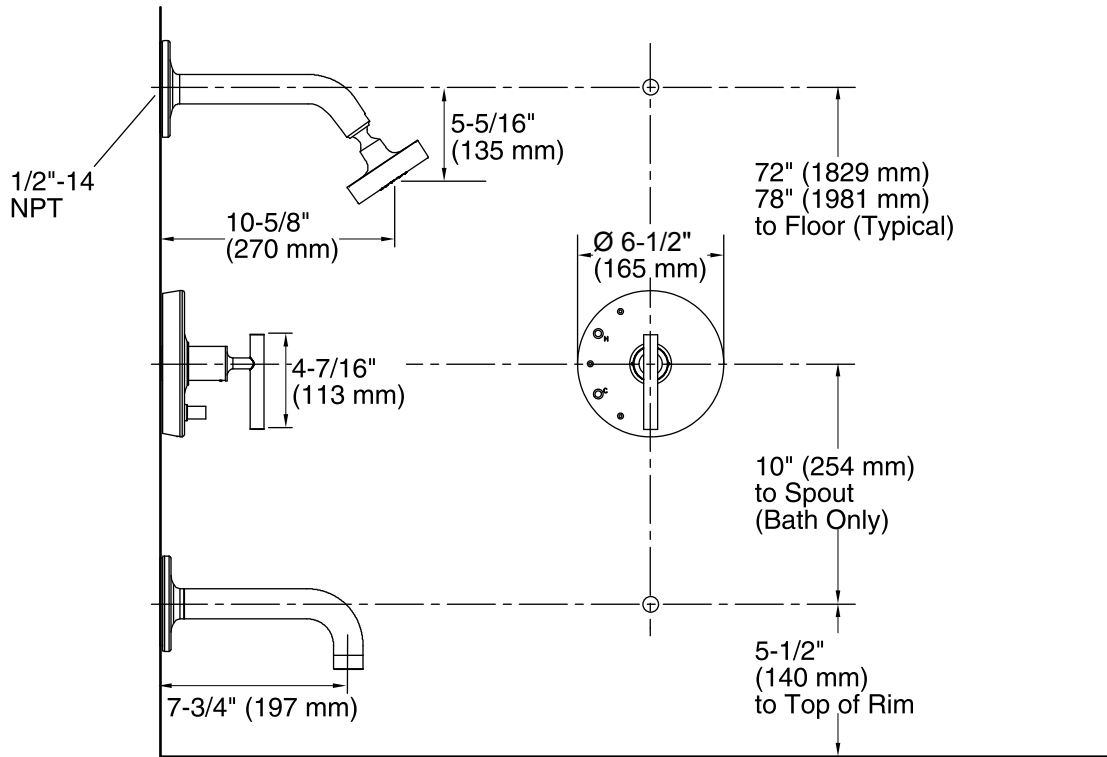
Available Color/Finishes

Color tiles intended for reference only.

Color	Code	Description
-------	------	-------------



CP	Polished Chrome
----	-----------------



Technical Information

All product dimensions are nominal.

Showerhead:

Rated maximum flow: 2 gal/min (7.6 l/min)

Pressure: 80 psi (5.5 bar)

Notes

Install this product according to the installation guide.

Avoid cross-flow conditions. Do not install shut-off device on either valve outlet.

Cap the shower outlet if deck-mount spout, diverter, or handshower is connected to the spout outlet.